

A

17238-JS

172x151x38mm(6.8"x5.9"x1.5")



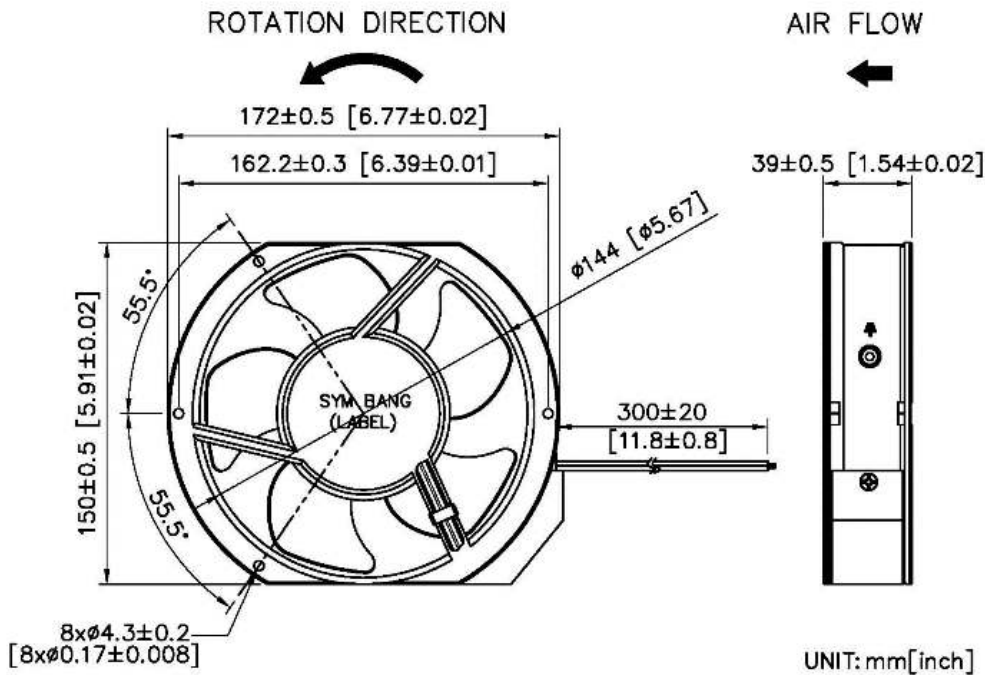
HOUSING	Aluminum Die Casting, Painted Black
IMPELLER	Thermoplastic PBT, UL94V-0
BEARING	Ball
OPERATING TEMPERATURE	-20°C to + 80°C
INSULATION	Class A
OPERATING VOLTAGE RANGE	103 VAC to 126 VAC for 115V Type 207 VAC to 253 VAC for 230V Type
DIELECTRIC STRENGTH	5mA Max. at 1500 VAC for 1 second
INSULATION RESISTANCE	10M Ω min. @500 VDC
MOTOR TYPE	AC Induction Capacitor Motor
SAFETY	Thermally Protected
TERMINATION	Terminals or Lead Wire
WEIGHT	800 g
ROHS COMPLIANCE	Yes
IP LEVEL	IP21(Special IP Rating On Request)

172mm

SPECIFICATION

MODEL NO.	RATED VOLTAGE(V)	RATED CURRENT(A)	INPUT POWER(W)	SPEED (RPM)	MAX. AIR PRESSURE		MAX. AIR FLOW		NOISE dB(A) @1M
					inchH2O	mmH2O	CFM	m3/min	
A17238V1H-JS	115	0.23/0.22	25/24	2700/3200	0.47/0.57	12/14.5	190/220	5.37/6.22	52/57
A17238V2H-JS	230	0.11/0.11	25/24	2700/3200	0.47/0.57	12/14.5	190/220	5.37/6.22	52/57

DIMENSION



SYMBANG

AIR PERFORMANCE

