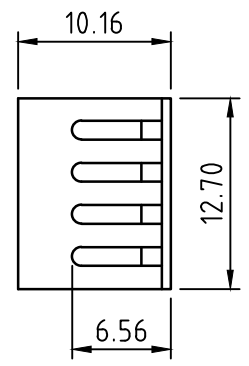
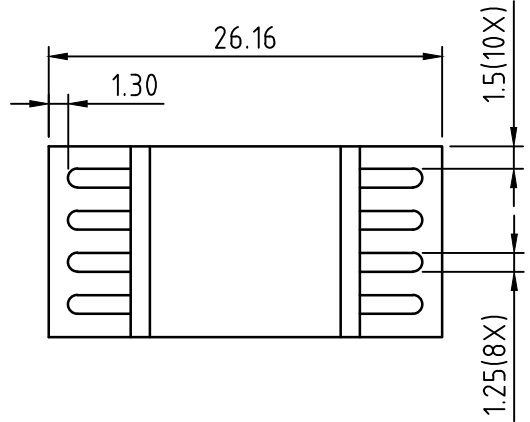


PART NO.	FINISH
LDM-006C-CTE5	TIN-LEAD PLATE
LDM-006C-CTE5-M	MATTE TIN PLATED



NOTE:
 1. MATERIAL: CUPPER T=0.6mm
 2. FINISH: MATTE TIN PLATED

THIRD ANGLE PROJECTION	UNLESS OTHERWISE SPEC. DIMENSIONS ARE IN MM TOLERANCES ON	龍德精密有限公司 <i>LDMC</i> Metal Stamping E-MAIL: lungde@lungder.com.tw LONG DER MACHINERY CO.,LTD.	
	DECIMAL: X± .XX±0.3 XXX±	ITEM HEAT SINK	
	ANGLE: ±1/2°	SCALE 2:1	PART NO: LDM-006C-CTE5-M
	MATERIAL: FINISH:	REV 1	