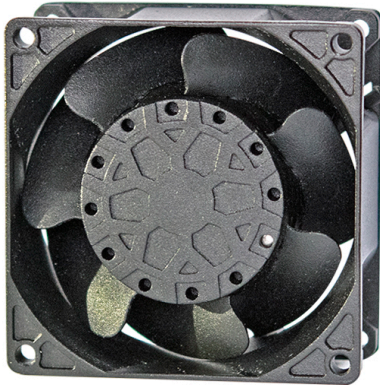


# A

# 8038M-B

80x80x38mm(3.15"x3.15"x1.5")



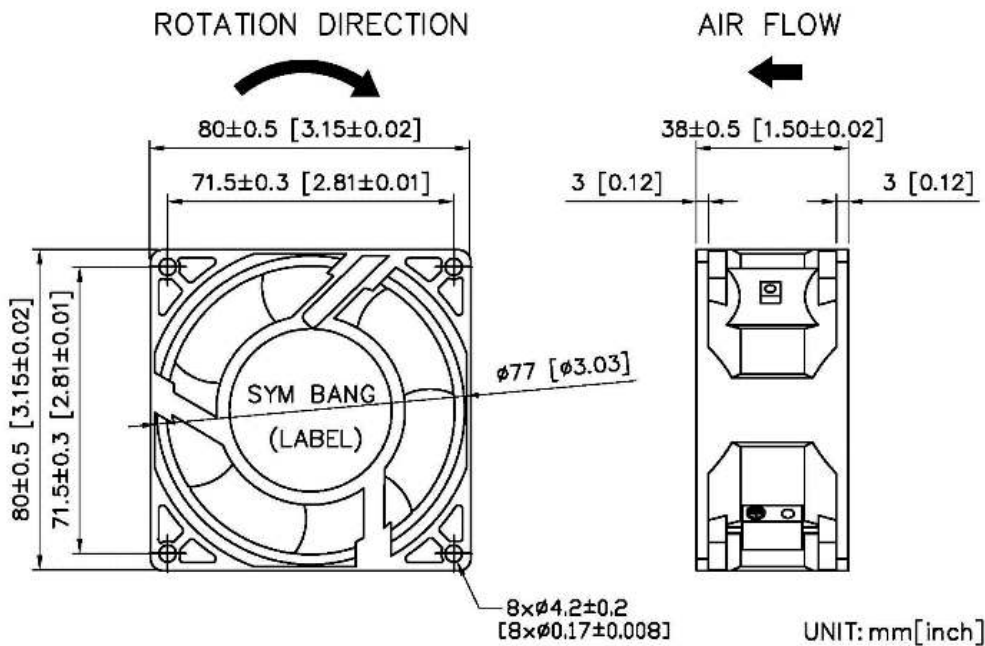
|                         |   |
|-------------------------|---|
| HOUSING                 | Aluminum Die Casting, Painted Black                                 |
| IMPELLER                | Thermoplastic PBT, UL94V-0  |
| BEARING                 | Ball or Sleeve  |
| OPERATING TEMPERATURE   | -10°C to + 70°C   |
| INSULATION              | Class A   |
| OPERATING VOLTAGE RANGE | 85 VAC to 120 VAC for 115V Type<br>185 VAC to 240 VAC for 220V Type |
| DIELECTRIC STRENGTH     | 5mA Max. at 1500 VAC for 1 second                                   |
| INSULATION RESISTANCE   | 10M $\Omega$ min. @500 VDC  |
| MOTOR TYPE              | Shaded Pole Motor   |
| SAFETY                  | Impedance Protected   |
| ADDITT                  | Terminal or Lead Wire   |
| WEIGHT                  | 370 g   |
| ROHS COMPLIANCE         | Yes   |
| OPTIONAL FUNCTION       | FG, RD  |
| IP LEVEL                | IP21 (Special IP Rating On Request)                                 |

# 80mm

## SPECIFICATION

| MODEL NO.   | RATED VOLTAGE(V) | RATED CURRENT(A) | INPUT POWER(W) | SPEED (RPM) | MAX. AIR PRESSURE |         | MAX. AIR FLOW |           | NOISE dB(A) @1M |
|-------------|------------------|------------------|----------------|-------------|-------------------|---------|---------------|-----------|-----------------|
|             |                  |                  |                |             | inchH2O           | mmH2O   | CFM           | m3/min    |                 |
| A8038V1HM-B | 110              | 0.13             | 11             | 2600/3000   | 0.16/0.19         | 4.1/4.8 | 26/32         | 0.73/0.90 | 31/37           |
| A8038V1MM-B | 110              | 0.12             | 11             | 2300/2700   | 0.09/0.13         | 2.3/3.2 | 25/29         | 0.70/0.81 | 30/35           |
| A8038V2HM-B | 220              | 0.08             | 13             | 2600/3000   | 0.16/0.19         | 4.1/4.8 | 26/32         | 0.73/0.90 | 31/37           |
| A8038V2MM-B | 220              | 0.07             | 13             | 2300/2700   | 0.09/0.13         | 2.3/3.2 | 25/29         | 0.70/0.81 | 30/35           |

## DIMENSION



SYMBANG

## AIR PERFORMANCE

