

# A

# 8025

80x80x25mm(3.15"x3.15"x1")



HOUSING	Aluminum Die Casting, Painted Black
IMPELLER	Thermoplastic PBT, UL94V-0
BEARING	Ball or Sleeve
OPERATING TEMPERATURE	-10°C to + 70°C
INSULATION	Class A
OPERATING VOLTAGE RANGE	85 VAC to 125 VAC for 115V Type 185 VAC to 245 VAC for 230V Type
DIELECTRIC STRENGTH	5mA Max. at 1500 VAC for 1 second
INSULATION RESISTANCE	10M $\Omega$ min. @500 VDC
MOTOR TYPE	Shaded Pole Motor
SAFETY	Impedance Protected
TERMINATION	Terminals or Lead Wire
WEIGHT	223 g
ROHS COMPLIANCE	Yes
IP LEVEL	IP21 (Special IP Rating On Request)

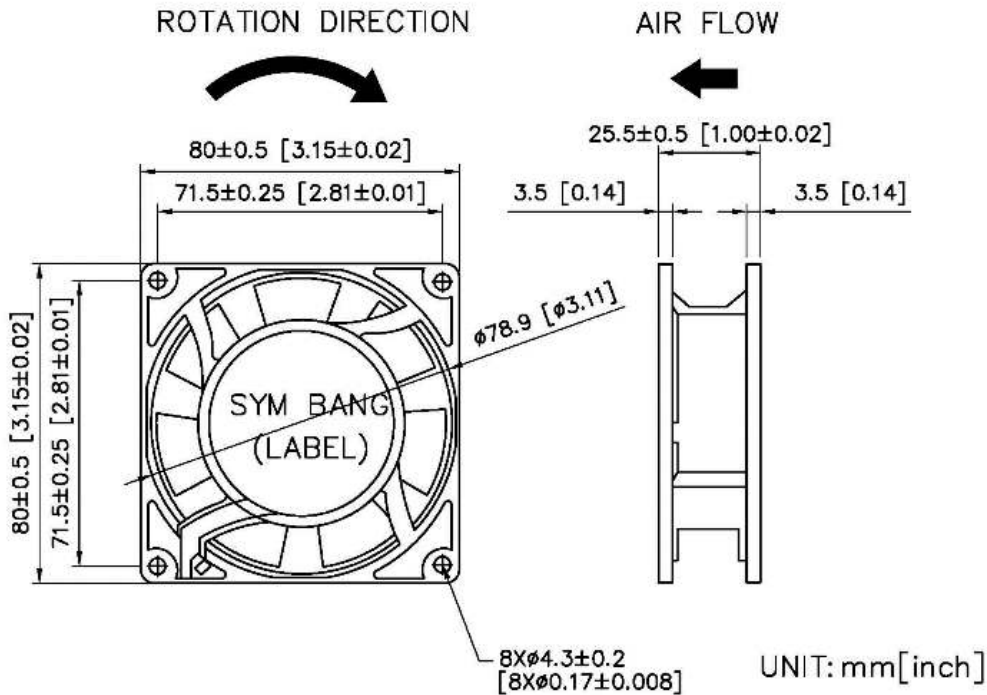
# 80

 mm

## SPECIFICATION

MODEL NO.	RATED VOLTAGE(V)	RATED CURRENT(A)	INPUT POWER(W)	SPEED (RPM)	MAX. AIR PRESSURE		MAX. AIR FLOW		NOISE dB(A) @1M
					inchH2O	mmH2O	CFM	m3/min	
A8025V1HB	115	0.07/0.06	6/5	2400/2900	0.10/0.13	2.54/3.30	18/22	0.5/0.6	25/32
A8025V1HS	115	0.09/0.08	8/7	2400/3000	0.10/0.13	2.54/3.30	18/22	0.5/0.6	25/32
A8025V2HB	230	0.05/0.04	9/7	2400/3000	0.10/0.13	2.54/3.30	18/22	0.5/0.6	25/32
A8025V2HS	230	0.05/0.04	10/8	2400/2900	0.10/0.13	2.54/3.30	18/22	0.5/0.6	25/32

## DIMENSION



SYMBANG

# AIR PERFORMANCE

