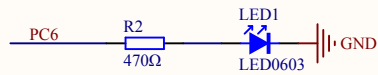
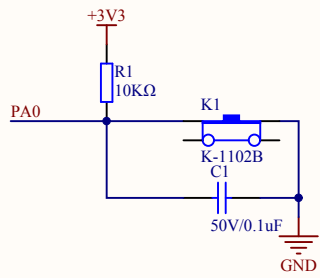


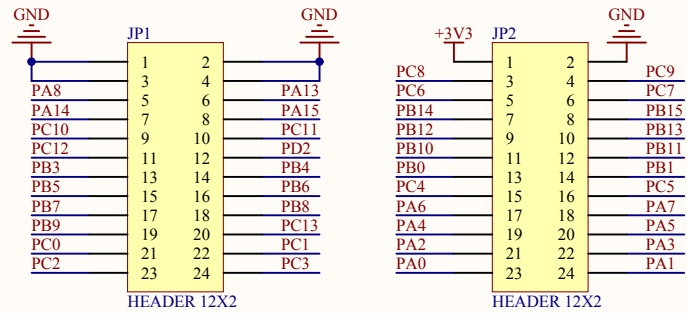
LED



KEY



Extension Pin



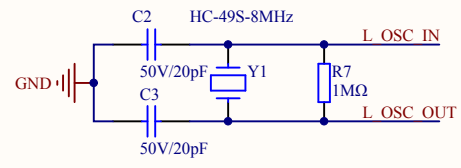
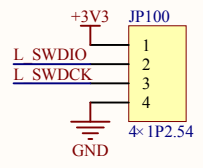
Company Name: GigaDevice

File Name: Extension

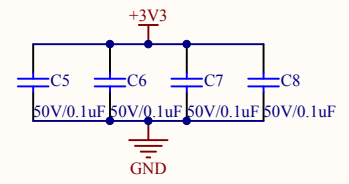
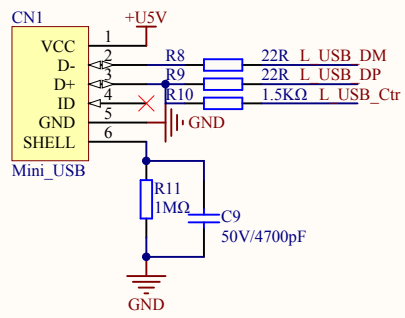
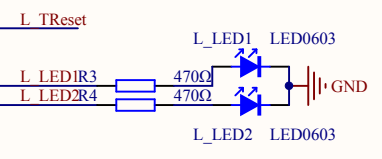
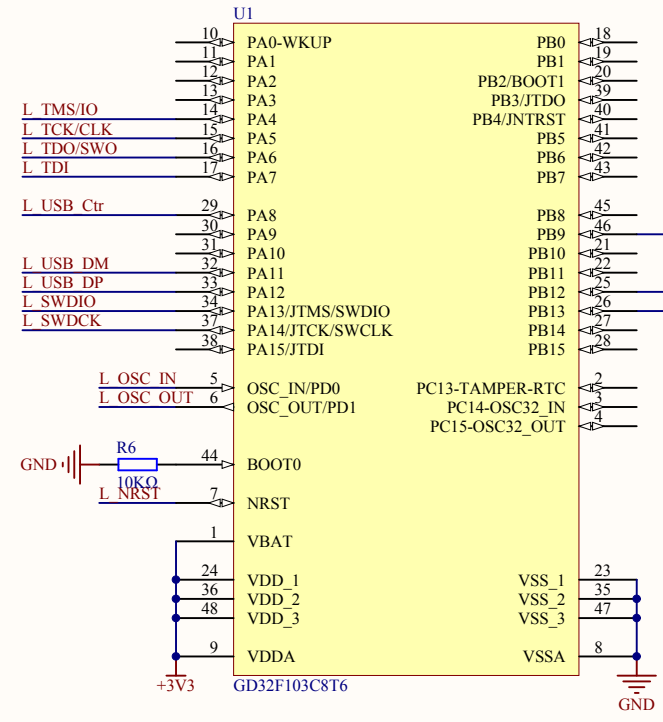
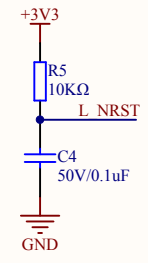
Revision: 1.0

Data: 2020-3

Author: Xufei

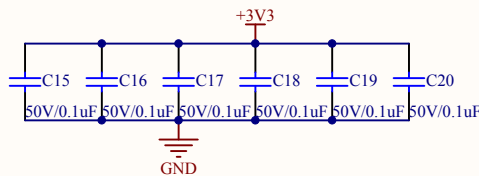
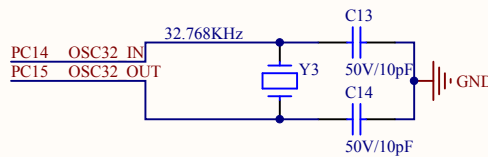
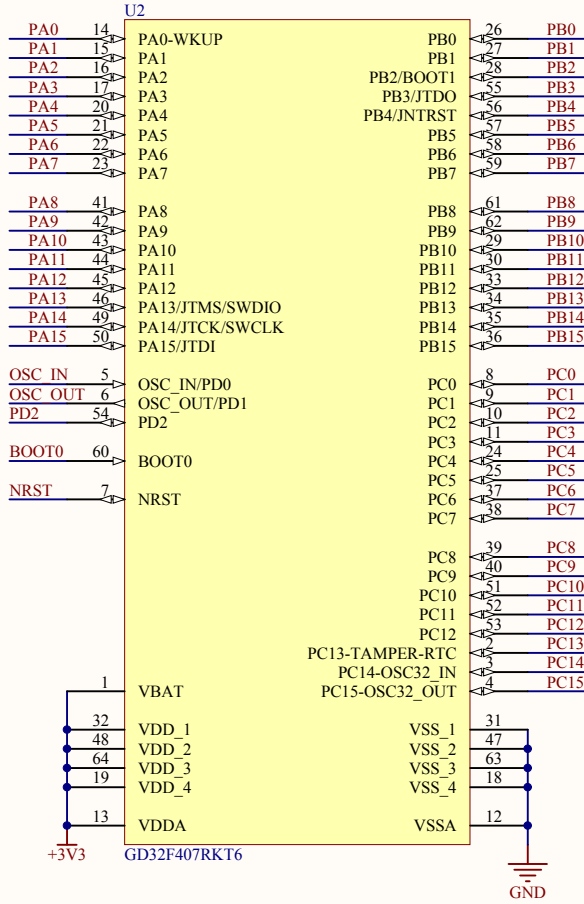
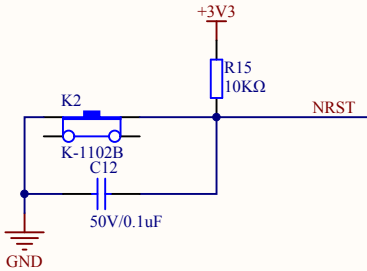
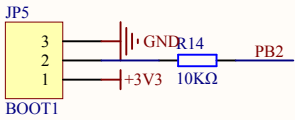
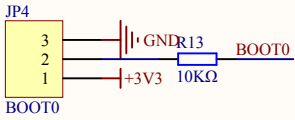
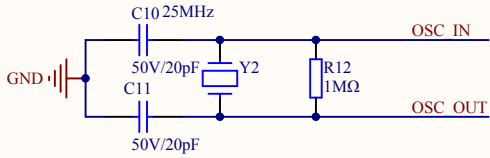


Reset

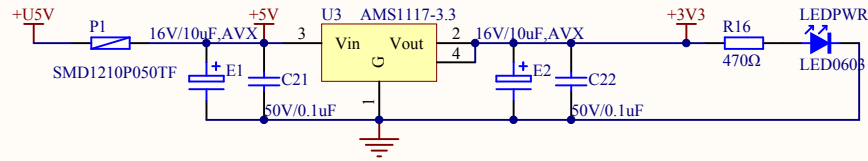


Company Name: GigaDevice		
File Name: GD-Link		
Revision: 1.0	Data: 2020-3	Author: Xufei

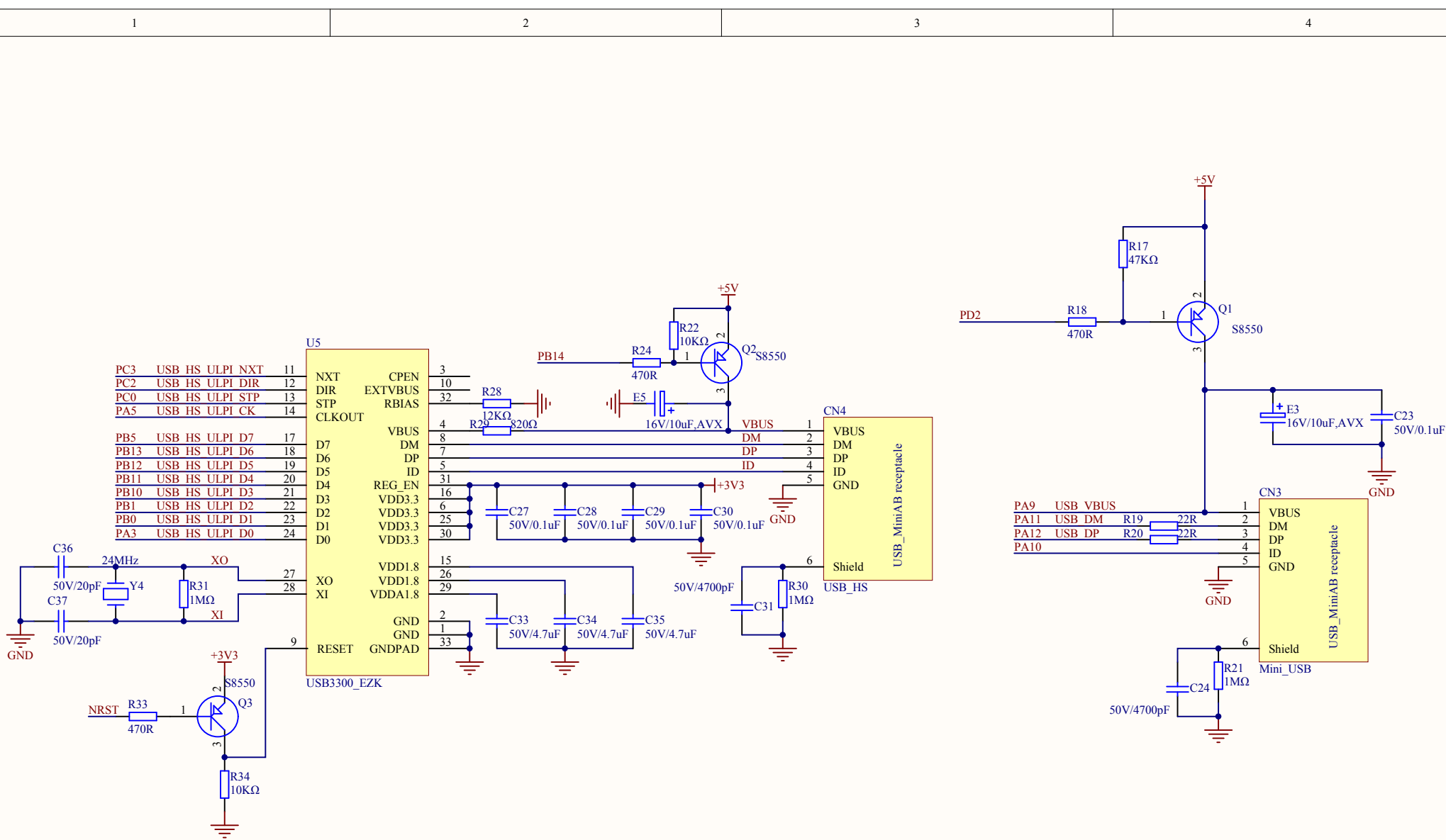
GDLink	JTAG	
L TDI	JTRST	PB4
L TMS/IO	JTDI	PA15
L TCK/CLK	JTMS/SWDIO	PA13
L TDO/SWO	JTCK/SWDCLK	PA14
L TReset	JTDO	PB3
	NRST	



Company Name: GigaDevice		
File Name: MCU		
Revision: 1.0	Data: 2020-3	Author: Xufei



Company Name: GigaDevice		
File Name: Power		
Revision: 1.0	Data: 2020-3	Author: Xufei



Company Name: GigaDevice		
File Name: USB		
Revision: 1.0	Data: 2020-3	Author: Xufei

