

# DB

# 180115-PB

180x180x115mm(7.09"x7.09"x4.53")



HOUSING	Steel
IMPELLER	Steel
BEARING	Ball
OPERATING TEMPERATURE	-25°C to 60°C
INSULATION	5mA Max. at 700 VDC for 1 second
DIELECTRIC STRENGTH	10M $\Omega$ min. @500 VDC
INSULATION RESISTANCE	1.6kg
ROHS COMPLIANCE	Yes
IP LEVEL	IP44 (Special IP Rating On Request)

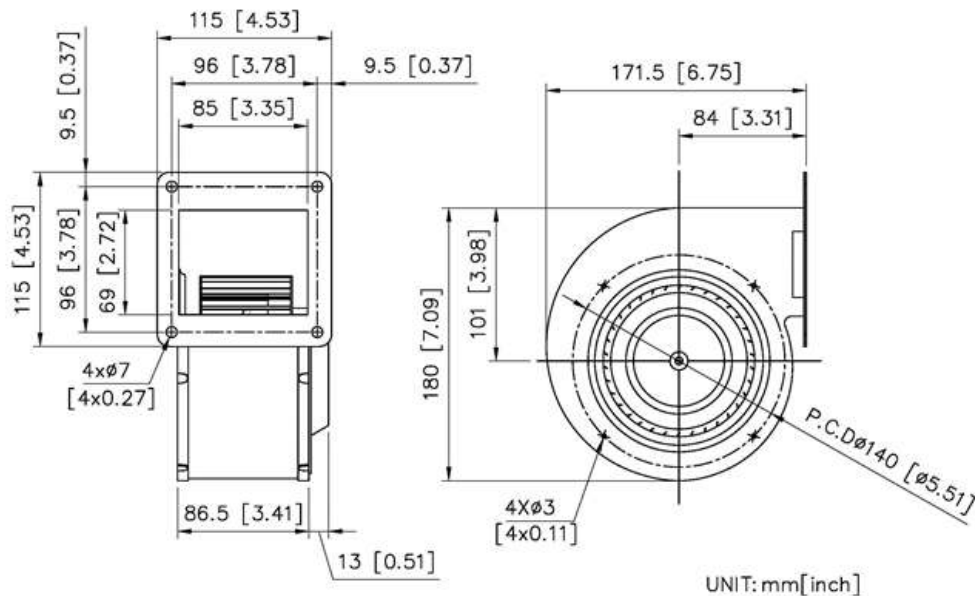
# 180

mm

## SPECIFICATION

MODEL NO.	RATED VOLTAGE(V)	RATED CURRENT(A)	INPUT POWER(W)	SPEED (RPM)	MAX. AIR PRESSURE		MAX. AIR FLOW		NOISE dB(A) @1M
					inchH2O	mmH2O	CFM	m3/min	
DB180115V24H-PB	24	2	48	2400	1.88	48	186	5.26	58
DB180115V48H-PB	48	1	48	2400	1.88	48	186	5.26	58

## DIMENSION



# AIR PERFORMANCE

