

DB

15458-K

154x138x58mm(6.06"x5.43"x2.28")



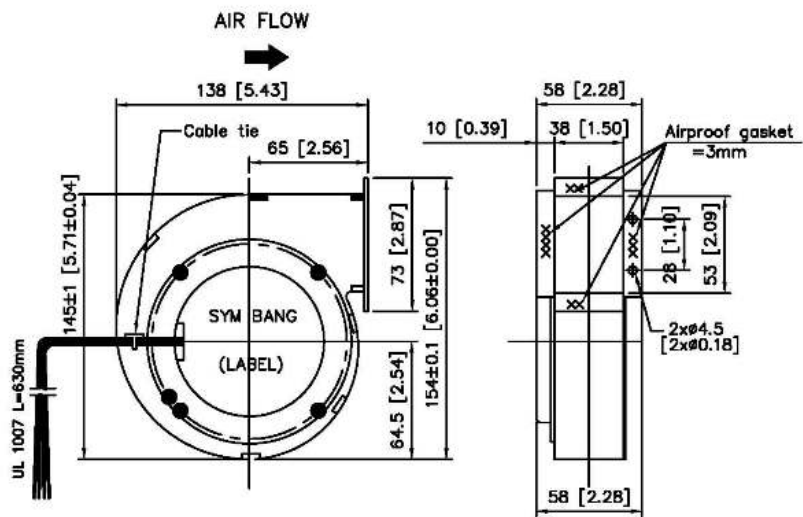
HOUSING	Electroplate steel sheet
IMPELLER	Aluminum sheet
BEARING	Ball
OPERATING TEMPERATURE	-10°C to + 70°C
DIELECTRIC STRENGTH	5mA Max. at 500 VAC for 1 minute
INSULATION RESISTANCE	10M Ω min. @500 VDC
WEIGHT	680 g
ROHS COMPLIANCE	Yes
IP LEVEL	IP21 (Special IP Rating On Request)

154mm

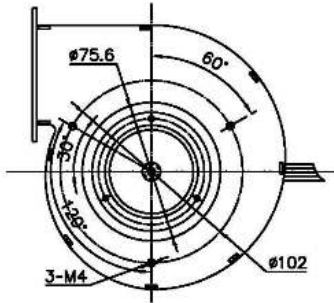
SPECIFICATION

MODEL NO.	RATED VOLTAGE(V)	RATED CURRENT(A)	INPUT POWER(W)	SPEED (RPM)	MAX. AIR PRESSURE		MAX. AIR FLOW		NOISE dB(A) @1M
					inchH2O	mmH2O	CFM	m3/min	
DB15458V12MB-K	12	1.30	15.60	2200	0.57	14.7	53.8	1.50	51
DB15458V24HB-K	24	1.15	27.60	2800	1.23	31.2	65.0	1.84	56
DB15458V24MB-K	24	0.65	15.60	2200	0.57	14.7	53.8	1.50	51
DB15458V12HB-K	12	1.96	23.52	2800	1.23	31.2	65.0	1.84	56

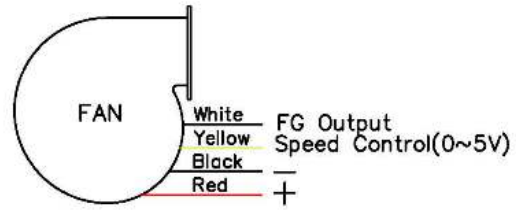
DIMENSION



UNIT: mm[inch]



WIRE DIAGRAM



AIR PERFORMANCE

