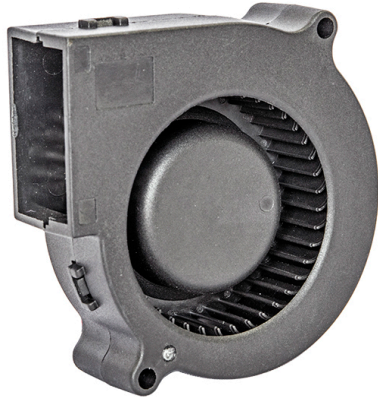


# DB

# 7525-YH

CE  
75x75x25mm(2.95"x2.95"x0.98")



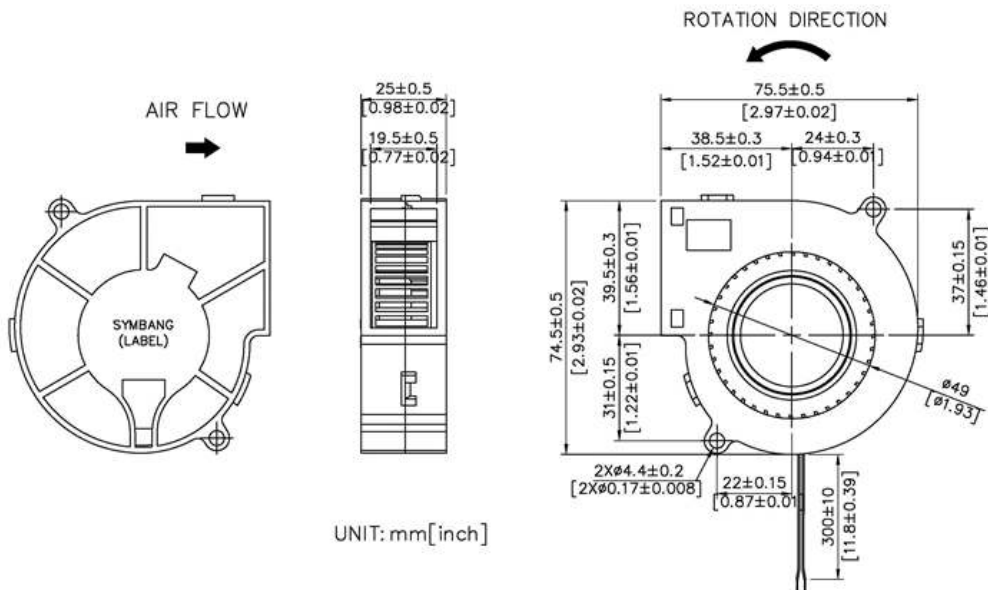
HOUSING Thermoplastic PBT, UL94V-0  
 IMPELLER Thermoplastic PBT, UL94V-0  
 BEARING Ball or Sleeve  
 OPERATING TEMPERATURE -10°C to +70°  
 DIELECTRIC STRENGTH 5mA Max. at 500 VAC for 1 minute  
 INSULATION RESISTANCE 10M Ω min. @500 VDC  
 WEIGHT 65.2 g  
 ROHS COMPLIANCE Yes  
 IP LEVEL IP21 (Special IP Rating On Request)

# 75 mm

## SPECIFICATION

MODEL NO.	RATED VOLTAGE(V)	RATED CURRENT(A)	INPUT POWER(W)	SPEED (RPM)	MAX. AIR PRESSURE		MAX. AIR FLOW		NOISE dB(A) @1M
					inchH2O	mmH2O	CFM	m3/min	
DB7525V24L-YH	24	0.08	1.92	2000	0.10	2.45	5.17	0.15	25.6
DB7525V24M-YH	24	0.11	2.64	2500	0.18	4.58	6.74	0.19	32.3
DB7525V24H-YH	24	0.14	3.36	3000	0.29	7.29	8.18	0.23	37.6
DB7525V24SL-YH	24	0.23	5.52	3500	0.43	10.98	9.52	0.27	41.6
DB7525V12L-YH	12	0.11	1.32	2000	0.10	2.45	5.17	0.15	25.6
DB7525V12M-YH	12	0.22	2.64	2500	0.18	4.58	6.74	0.19	32.3
DB7525V12H-YH	12	0.26	3.12	3000	0.29	7.29	8.18	0.23	37.6
DB7525V12SL-YH	12	0.42	5.04	3500	0.43	10.98	9.52	0.27	41.6

## DIMENSION



SYMBANG

# AIR PERFORMANCE

