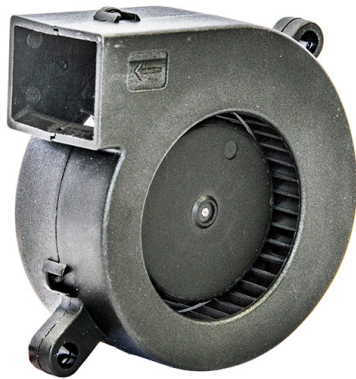


DB

6025-TK

60x60x25mm(2.36"x2.36"x0.98") **CE**



HOUSING Thermoplastic PBT, UL94V-0
IMPELLER Thermoplastic PBT, UL94V-0
BEARING Ball or Sleeve
OPERATING TEMPERATURE -10°C to +70°
DIELECTRIC STRENGTH 5mA Max. at 500 VAC for 1 minute
INSULATION RESISTANCE 10M Ω min. @500 VDC
WEIGHT 63 g
ROHS COMPLIANCE Yes
IP LEVEL IP21 (Special IP Rating On Request)

60

 mm

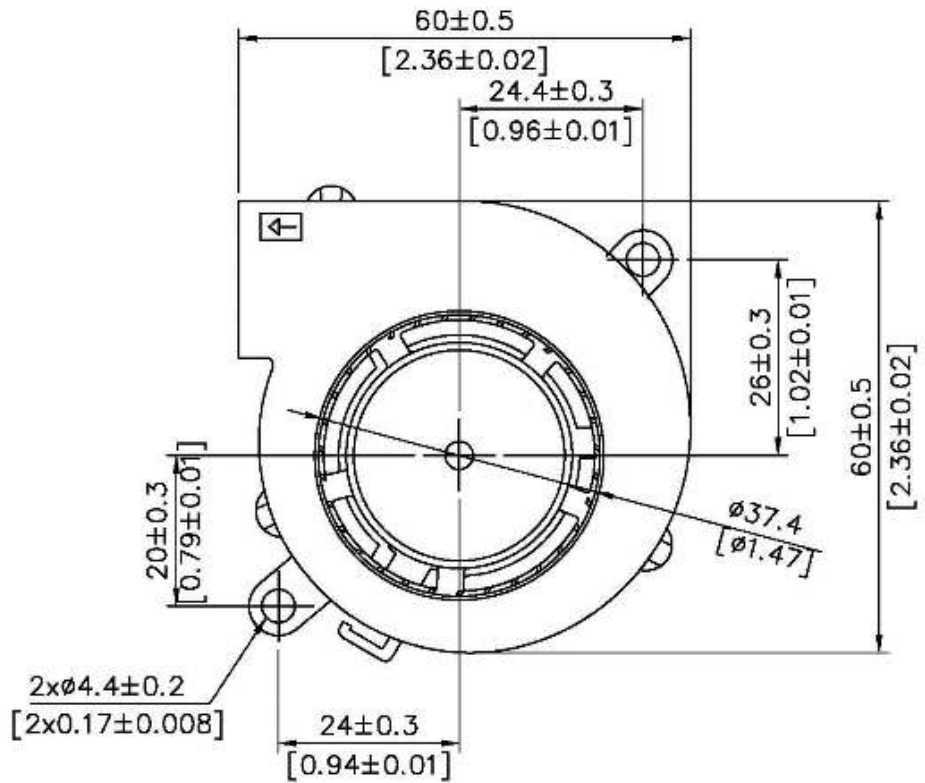
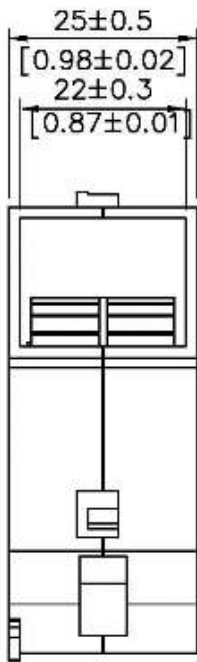
SPECIFICATION

MODEL NO.	RATED VOLTAGE(V)	RATED CURRENT(A)	INPUT POWER(W)	SPEED (RPM)	MAX. AIR PRESSURE		MAX. AIR FLOW		NOISE dB(A) @1M
					inchH2O	mmH2O	CFM	m3/min	
DB6025V24SL-TK	24	0.13	3.00	4500	0.75	18.95	8.66	0.245	42.5
DB6025V24H-TK	24	0.10	2.40	4000	0.57	14.48	7.74	0.219	39.7
DB6025V24L-TK	24	0.07	1.68	3300	0.40	10.27	6.22	0.176	33.0
DB6025V24M-TK	24	0.08	1.92	3600	0.43	10.94	6.71	0.190	34.7
DB6025V24XL-TK	24	0.05	1.20	3000	0.28	7.03	5.62	0.159	31.0
DB6025V24SM-TK	24	0.15	3.60	5000	1.00	25.49	9.75	0.276	46.4
DB6025V12XL-TK	12	0.10	1.20	3000	0.28	7.03	5.62	0.159	31.0
DB6025V12L-TK	12	0.14	1.68	3300	0.40	10.27	6.22	0.176	33.0
DB6025V12M-TK	12	0.16	1.92	3600	0.43	10.94	6.71	0.190	34.7
DB6025V12H-TK	12	0.20	2.40	4000	0.57	14.48	7.74	0.219	39.7
DB6025V12SL-TK	12	0.25	3.00	4500	0.75	18.95	8.66	0.245	42.5
DB6025V12SM-TK	12	0.30	3.60	5000	1.00	25.49	9.75	0.276	46.4

SYMBANG

DIMENSION

AIR FLOW



UNIT: mm[inch]

AIR PERFORMANCE

