

D

17238-DA

172x151x38mm(6.77"x5.94"x1.5") **CE**



HOUSING	Aluminum Die Casting, Painted Blakk
IMPELLER	Thermoplastic PBT, UL94V-0
BEARING	Ball
OPERATING TEMPERATURE	-10°C to + 70°C
DIELECTRIC STRENGTH	5mA Max. at 500 VAC for 1 minute
INSULATION RESISTANCE	10M Ω min. @500 VDC
WEIGHT	840 g
ROHS COMPLIANCE	Yes
IP LEVEL	IP54 (Special IP Rating On Request)

172 mm

SPECIFICATION

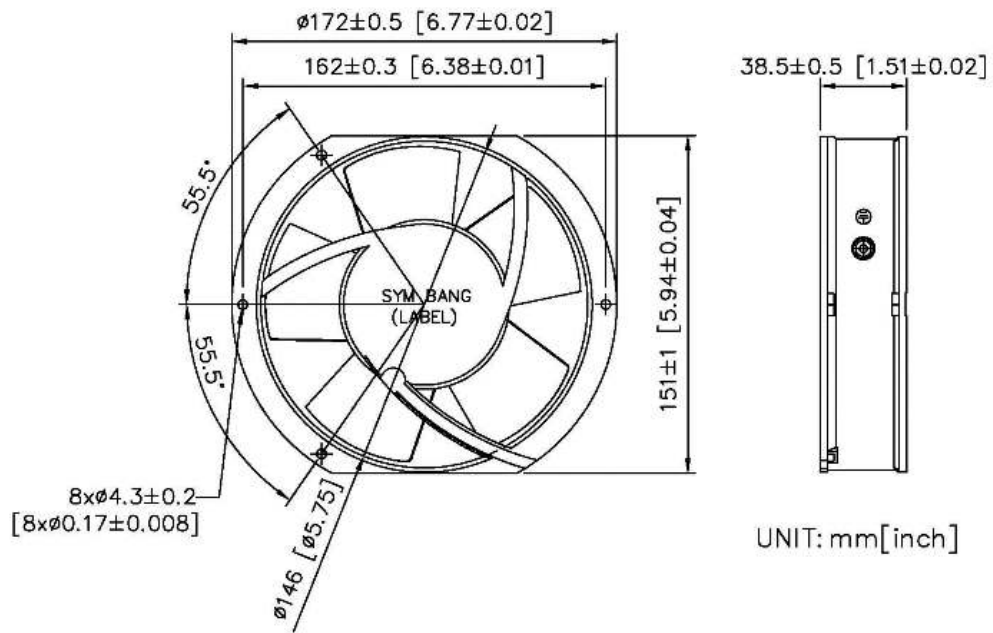
MODEL NO.	RATED VOLTAGE(V)	RATED CURRENT(A)	INPUT POWER(W)	SPEED (RPM)	MAX. AIR PRESSURE		MAX. AIR FLOW		NOISE dB(A) @1M
					inchH2O	mmH2O	CFM	m3/min	
D17238V12SLB-DA	12	3.33	39.96	4000	1.12	28.5	310	8.8	64
D17238V12HB-DA	12	2.34	28.08	3600	0.91	23.1	275	7.8	60
D17238V12MB-DA	12	1.59	19.08	3200	0.73	18.6	245	6.9	56
D17238V12LB-DA	12	1.1	13.2	2800	0.57	14.5	210	5.9	52
D17238V24SHB-DA	24	2.34	56.16	4800	1.54	39.2	360	10.2	72
D17238V24SMB-DA	24	1.91	45.84	4400	1.32	33.4	340	9.6	68
D17238V24SLB-DA	24	1.38	33.12	4000	1.12	28.5	310	8.8	64
D17238V24HB-DA	24	1.08	25.92	3600	0.91	23.1	275	7.8	60
D17238V24MB-DA	24	0.78	18.72	3200	0.73	18.6	245	6.9	56
D17238V24LB-DA	24	0.54	12.96	2800	0.57	14.5	210	2.9	52
D17238V48SHB-DA	48	1.13	54.24	4800	1.54	39.2	360	10.2	72
D17238V48SMB-DA	48	0.9	43.2	4400	1.32	33.4	340	9.6	68
D17238V48SLB-DA	48	0.68	32.64	4000	1.12	28.5	310	8.8	64
D17238V48HB-DA	48	0.52	24.96	3600	0.91	23.1	275	7.8	60
D17238V48MB-DA	48	0.37	17.76	3200	0.76	18.6	245	6.9	56
D17238V48LB-DA	48	0.28	13.44	2800	0.57	14.5	210	2.9	52

DIMENSION

ROTATION DIRECTION



AIR FLOW



AIR PERFORMANCE

