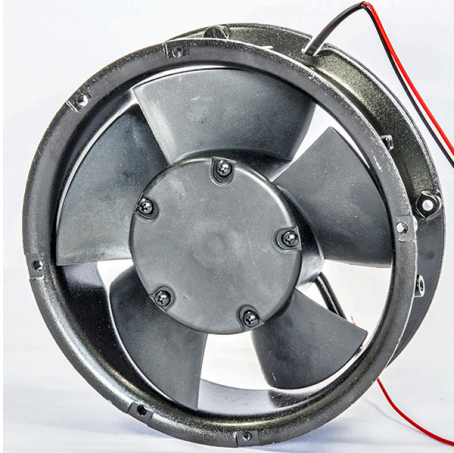


# D

# 17051-DA

CE

Ø172x51mm(Ø6.7"x2.00")



HOUSING	Aluminum Die Casting, Painted Blakk
IMPELLER	Thermoplastic PBT, UL94V-0
BEARING	Ball
OPERATING TEMPERATURE	-10°C to + 70°C
DIELECTRIC STRENGTH	5mA Max. at 500 VAC for 1 minute
INSULATION RESISTANCE	10M Ω min. @500 VDC
WEIGHT	1.1 Kg
ROHS COMPLIANCE	Yes
IP LEVEL	IP54 (Special IP Rating On Request)

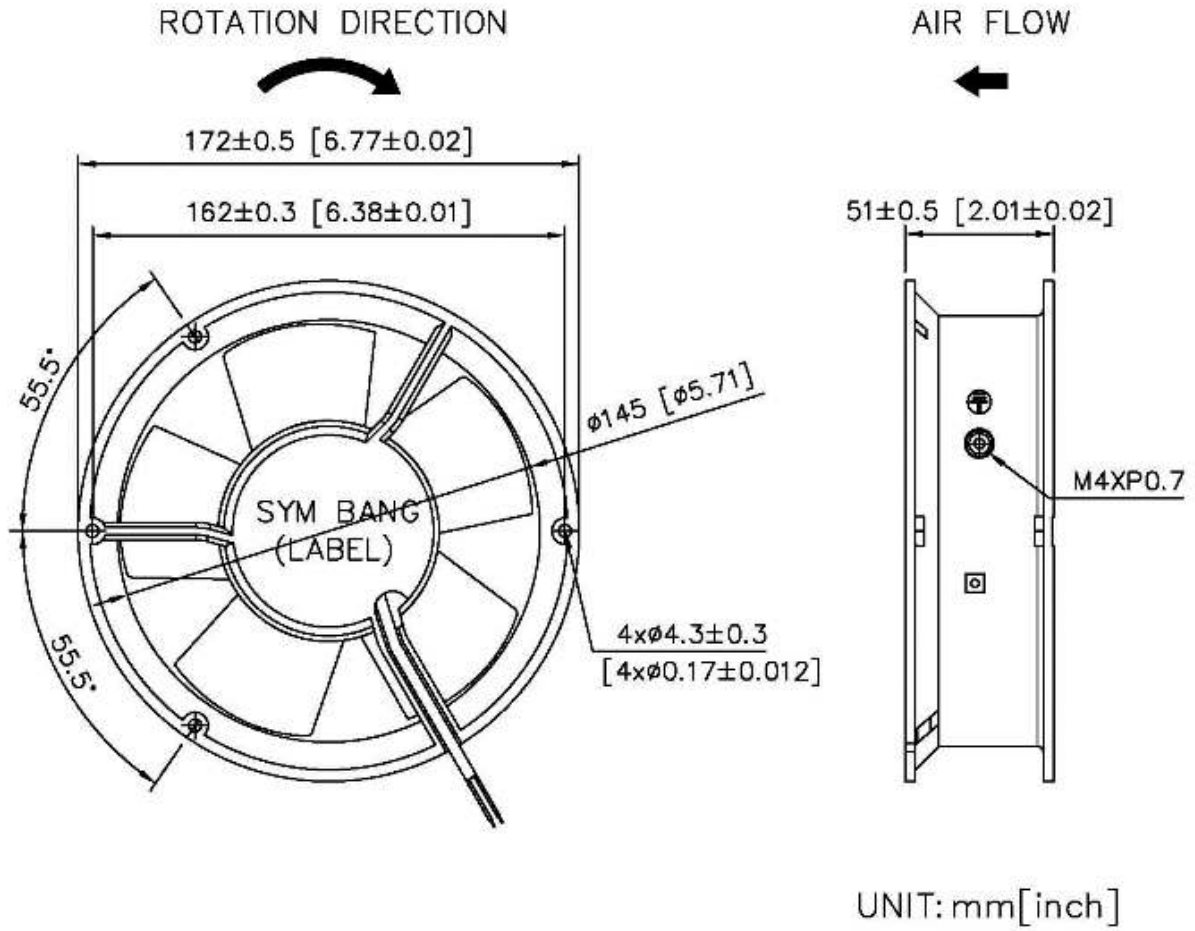
# 172mm

## SPECIFICATION

MODEL NO.	RATED VOLTAGE(V)	RATED CURRENT(A)	INPUT POWER(W)	SPEED (RPM)	MAX. AIR PRESSURE		MAX. AIR FLOW		NOISE dB(A) @1M
					inchH2O	mmH2O	CFM	m3/min	
D17051V12SLB-DA	12	3.73	44.76	4000	1.13	28.8	325	9.20	64
D17051V12HB-DA	12	2.75	33.00	3600	0.93	23.5	290	8.21	60
D17051V12MB-DA	12	1.88	22.56	3200	0.74	18.7	255	7.22	56
D17051V12LB-DA	12	1.31	15.72	2800	0.57	14.5	220	6.22	52
D17051V24SHB-DA	24	2.94	70.56	4800	1.59	40.3	390	11.04	72
D17051V24SMB-DA	24	2.41	57.84	4400	1.34	34.1	355	10.05	68
D17051V24SLB-DA	24	1.69	40.56	4000	1.13	28.8	325	9.20	64
D17051V24HB-DA	24	1.21	29.04	3600	0.93	23.5	290	8.21	60
D17051V24MB-DA	24	0.89	21.36	3200	0.74	18.7	255	7.22	56
D17051V24LB-DA	24	0.65	15.60	2800	0.57	14.5	220	6.22	52
D17051V48SHB-DA	48	1.48	71.04	4800	1.59	40.3	390	11.04	72
D17051V48SMB-DA	48	1.15	55.20	4400	1.34	34.1	355	10.05	68
D17051V48SLB-DA	48	0.79	37.92	4000	1.13	28.8	325	9.20	64
D17051V48HB-DA	48	0.60	28.80	3600	0.93	23.5	290	8.21	60
D17051V48MB-DA	48	0.45	24.60	3200	0.74	18.7	255	7.22	56
D17051V48LB-DA	48	0.33	15.84	2800	0.57	14.5	220	6.22	52

SYMBANG

## DIMENSION



## AIR PERFORMANCE

