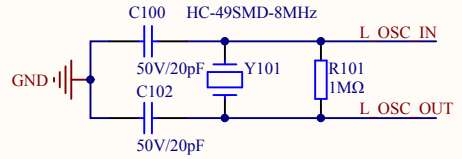
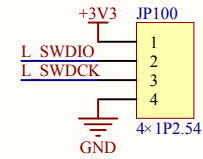
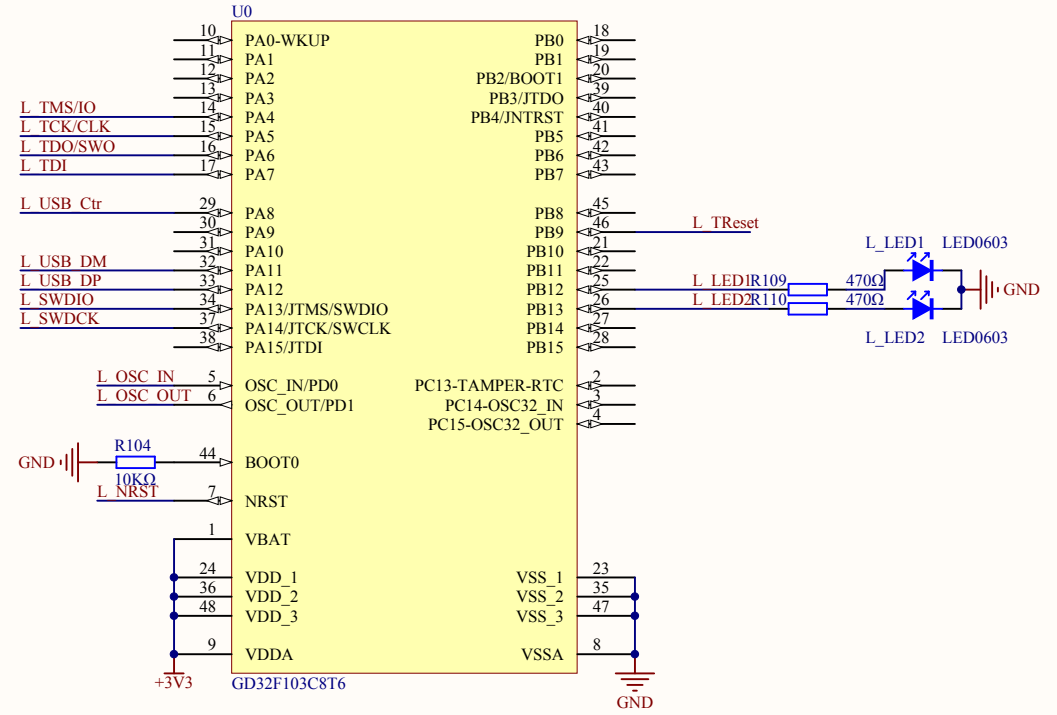
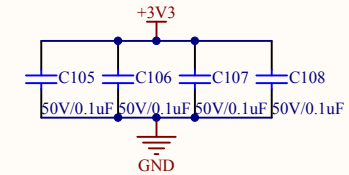
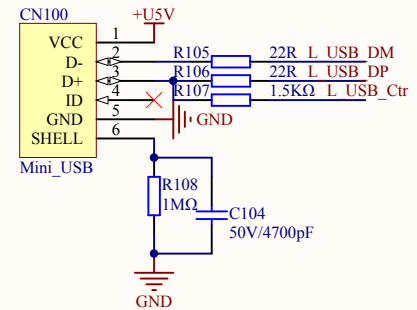
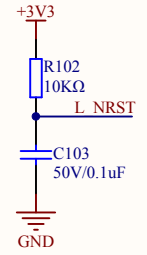


### MCU SWD



### Reset



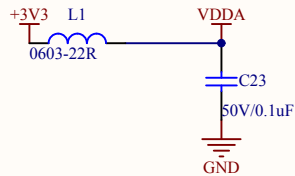
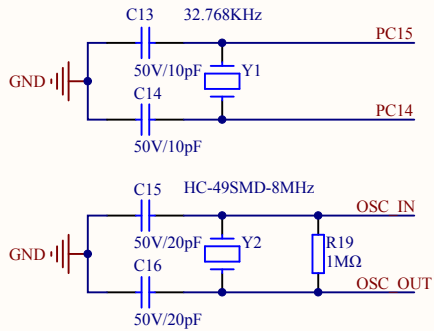
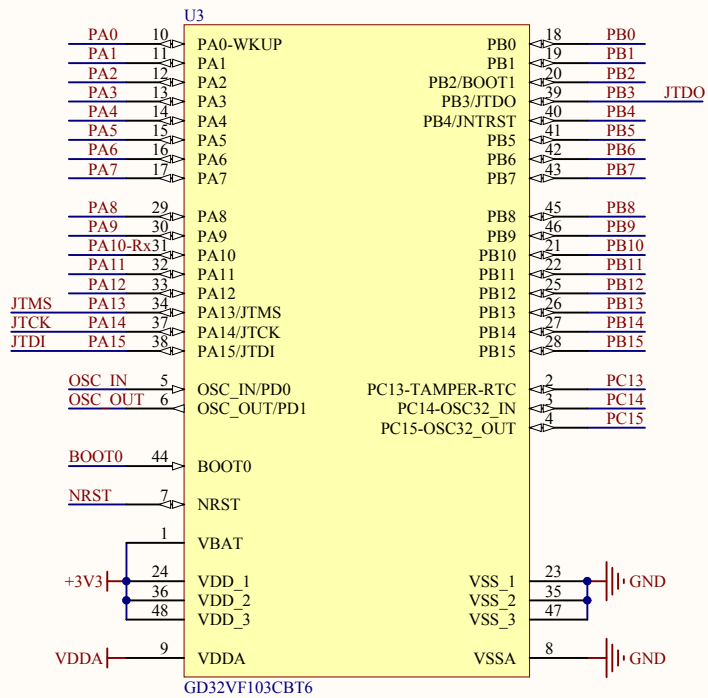
Company Name: GigaDevice

File Name: GDLink

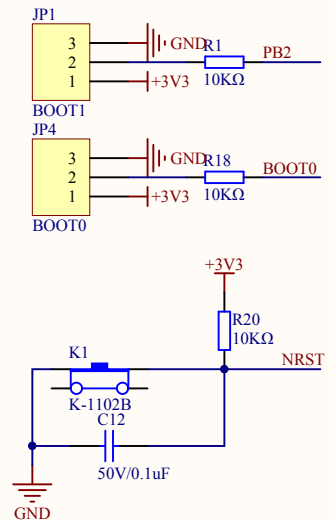
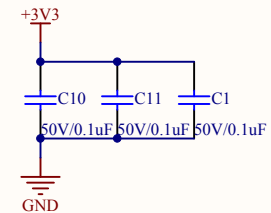
Revision: 1.0

Data: 2019-5

Author: XuFei

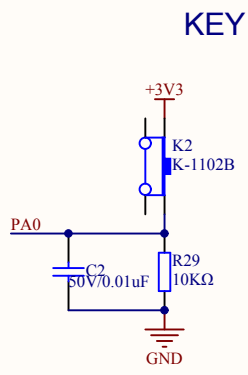
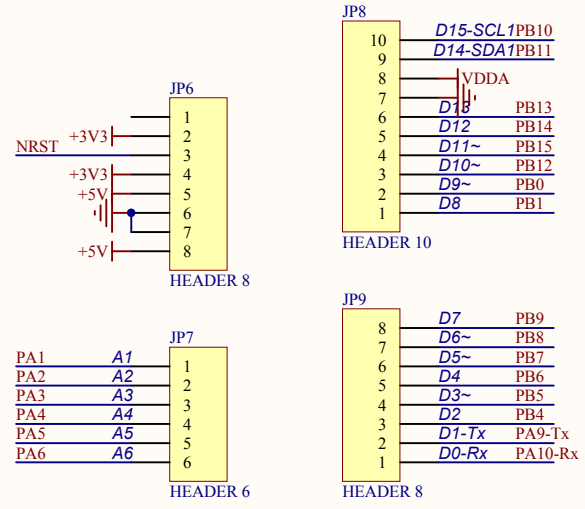
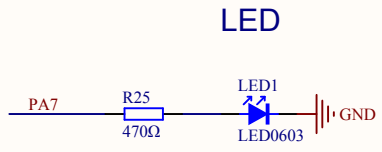


JTAG	GDLINK
JTMS	L TMS/IO
JTCK	L TCK/CLK
NRST	L TReset
JTDO	L TDO/SWO
JTDI	L TDI

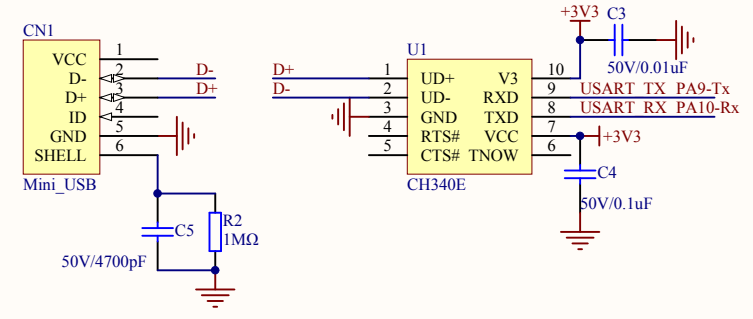


<b>Company Name: GigaDevice</b>		
<b>File Name: MCU</b>		
Revision: 1.0	Data: 2019-5	Author: Xufei

### Arduino



### USART To USB



**Company Name: GigaDevice**

**File Name: Peripherals**

Revision: 1.0

Data: 2019-5

Author: Xufei

1

2

3

4

A

A

B

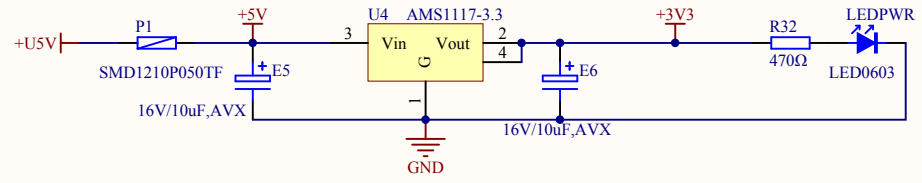
B

C

C

D

D



**Company Name: GigaDevice**

**File Name: Power**

Revision: 1.0

Data: 2019-5

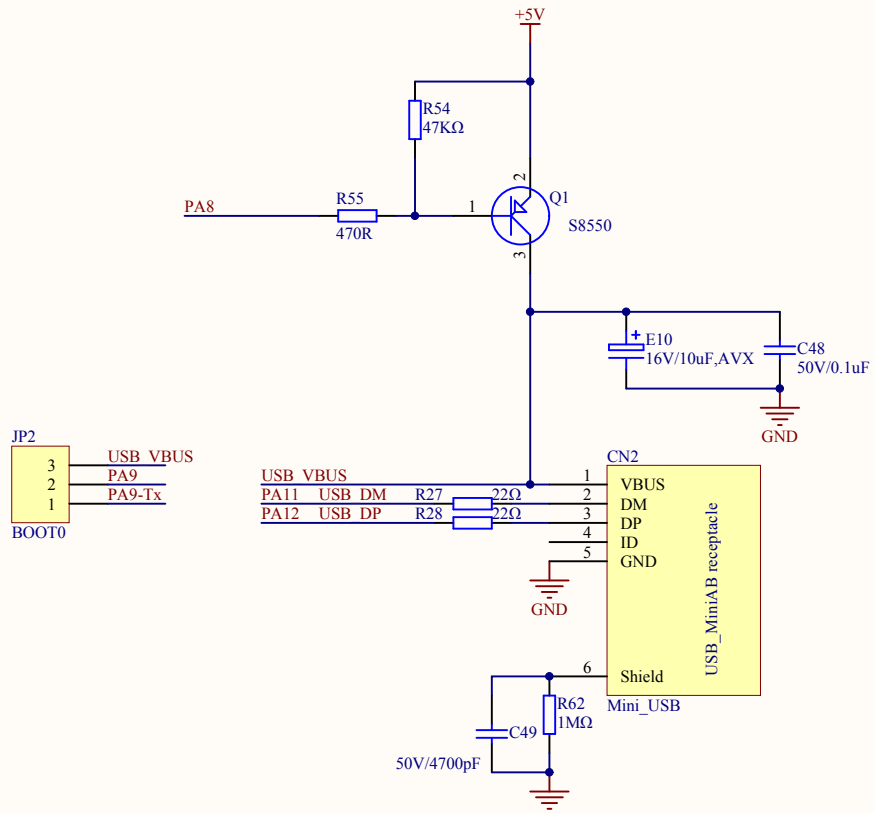
Author: Xufei

1

2

3

4



<b>Company Name: GigaDevice</b>		
<b>File Name: USB</b>		
Revision: 1.0	Data: 2019-6	Author: Xufei

**GD32**  
GD32MCU.com  
**GD32VF103C-START**  
2019-6 V1.0

