

D 9225



92x92x25mm(3.62"x3.62"x0.98")



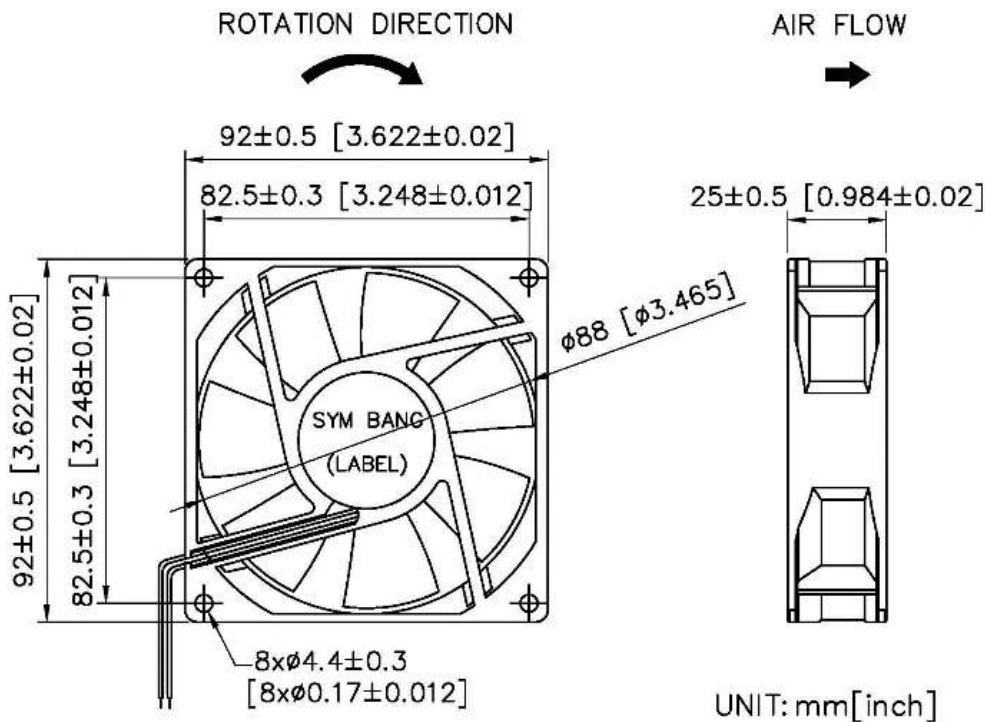
HOUSING	Thermoplastic PBT, UL94V-0
IMPELLER	Thermoplastic PBT, UL94V-0
BEARING	Ball or Sleeve
OPERATING TEMPERATURE	-10°C to + 70°C
DIELECTRIC STRENGTH	5mA Max. at 500 VAC for 1 minute
INSULATION RESISTANCE	10M Ω min. @500 VDC
WEIGHT	120 g
ROHS COMPLIANCE	Yes
IP LEVEL	IP21 (Special IP Rating On Request)

92 mm

SPECIFICATION

MODEL NO.	RATED VOLTAGE(V)	RATED CURRENT(A)	INPUT POWER(W)	SPEED (RPM)	MAX. AIR PRESSURE		MAX. AIR FLOW		NOISE dB(A) @1M
					inchH2O	mmH2O	CFM	m3/min	
D9225V12L	12	0.16	1.92	2000	0.09	2.3	41.5	1.17	26
D9225V12M	12	0.20	2.4	2500	0.14	3.5	50.5	1.43	34
D9225V12H	12	0.32	3.84	3000	0.17	4.3	63.5	1.8	40
D9225V12SL	12	0.42	5.04	3500	0.23	5.88	66.19	1.87	41
D9225V24M	24	0.14	3.36	2500	0.14	3.5	50.5	1.43	34
D9225V48H	48	0.15	5.76	3000	0.17	4.3	58.7	1.66	40

DIMENSION



AIR PERFORMANCE

