

05015SS

DC Axial Fan Sleeve Bearing

50[□]X15^L

DC FAN

General purpose

Industrial

Server

Refrigerator

Blower

General Specifications

Motor Protection Auto Restart / Polarity Protection

Insulation Resistance : 10MΩ or over with a DC500V Megger
 Dielectric Withstand Voltage : AC700V 1s
 Allowable Ambient : -10°C ~ +70°C (Operating)
 Temperature Range : -40°C ~ +70°C (Storage)
 non-condensing environment



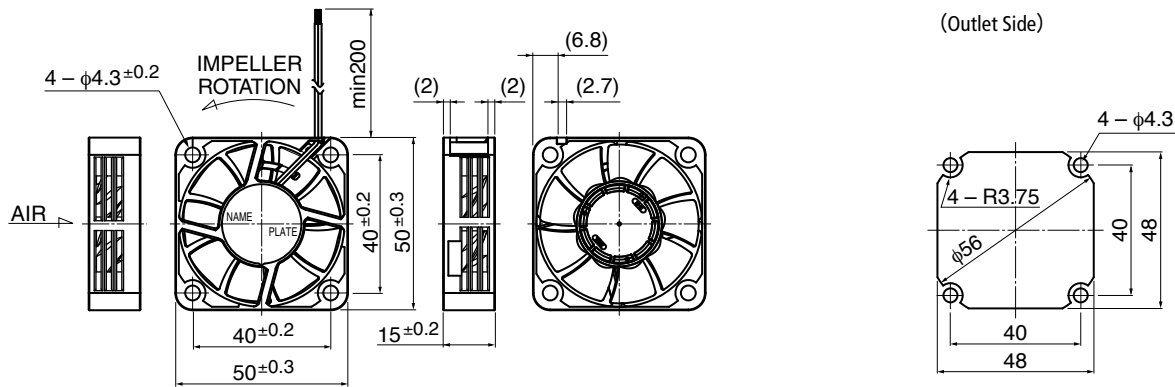
Outline

Expected Life

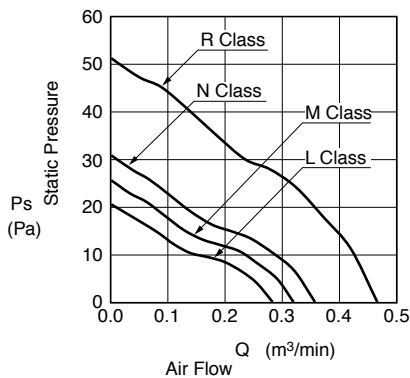
※ Failure Rate: 10% (L10 Life)

40°C 40,000 (Hours)

Panel Out-cuts



Characteristic Curves



Material

Casing : Plastic (Black) UL94V-0
 Impeller : Plastic (Black) UL94V-0
 Bearing : Sleeve Bearing
 Lead Wire : UL1061 AWG26 + : Red, - : Black

Specifications

Model	Product No.	Rating Voltage (V)	Operating Voltage (V)	Current (A)*1	Input Power (W)*1	Speed (min ⁻¹)*1	Max. Air Flow (m ³ /min)*1	(CFM)*1	Max. Static Pressure (Pa)*1	(In H ₂ O)*1	Noise (dB)*1	Mass (g)
05015SS-12L-WA-	D0	12	6.0 ~ 13.8	0.05	0.60	4050	0.25	8.8	20.0	0.08	22.0	25
05015SS-12M-WA-	D0			0.06	0.72	4550	0.28	9.9	25.0	0.10	25.0	
05015SS-12N-WA-	D0			0.07	0.84	5050	0.31	10.9	31.0	0.12	27.5	
05015SS-12R-WA-	D0			0.14	1.68	6550	0.42	14.8	51.0	0.20	35.5	
05015SS-24L-WA-	D0	24	12.0 ~ 26.4	0.035	0.84	4050	0.25	8.8	20.0	0.08	22.0	
05015SS-24M-WA-	D0			0.04	0.96	4550	0.28	9.9	25.0	0.10	25.0	
05015SS-24N-WA-	D0			0.05	1.20	5050	0.31	10.9	31.0	0.12	27.5	
05015SS-24R-WA-	D0			0.09	2.16	6550	0.42	14.8	51.0	0.20	35.5	

Rotation: Counter clockwise as seen from the label side
 Airflow Outlet: Label side

*1: Average Values in Free Air