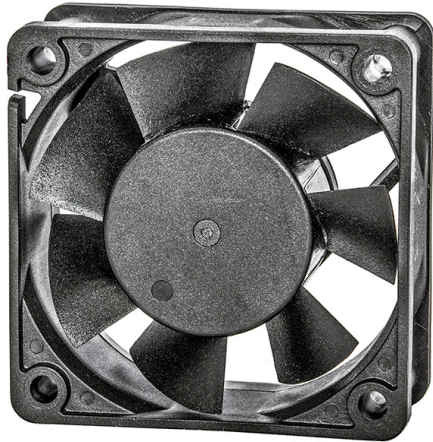


D

6025-K

60x60x25mm(2.36"x2.36"x0.98")



| | |
|-----------------------|-------------------------------------|
| HOUSING | Thermoplastic PBT, UL94V-0 |
| IMPELLER | Thermoplastic PBT, UL94V-0 |
| BEARING | Ball or Sleeve |
| OPERATING TEMPERATURE | -10°C to + 70°C |
| DIELECTRIC STRENGTH | 5mA Max. at 500 VAC for 1 minute |
| INSULATION RESISTANCE | 10M Ω min. @500 VDC |
| WEIGHT | 57 g |
| ROHS COMPLIANCE | Yes |
| IP LEVEL | IP21 (Special IP Rating On Request) |

60

 mm

SPECIFICATION

| MODEL NO. | RATED VOLTAGE(V) | RATED CURRENT(A) | INPUT POWER(W) | SPEED (RPM) | MAX. AIR PRESSURE | | MAX. AIR FLOW | | NOISE dB(A) @1M |
|--------------|------------------|------------------|----------------|-------------|-------------------|-------|---------------|--------|-----------------|
| | | | | | inchH2O | mmH2O | CFM | m3/min | |
| D6025V12SL-K | 12 | 0.36 | 4.32 | 6800 | 0.51 | 13 | 34.8 | 0.99 | 46.5 |
| D6025V12H-K | 12 | 0.35 | 4.2 | 5000 | 0.26 | 6.5 | 25.6 | 0.73 | 40 |
| D6025V12M-K | 12 | 0.16 | 1.92 | 4250 | 0.19 | 4.83 | 21.5 | 0.61 | 34 |
| D6025V12L-K | 12 | 0.12 | 1.44 | 3600 | 0.14 | 3.56 | 18.5 | 0.52 | 31 |
| D6025V12XL-K | 12 | 0.1 | 1.2 | 3100 | 0.1 | 2.54 | 14.1 | 0.4 | 26 |
| D6025V24H-K | 24 | 0.2 | 4.8 | 5000 | 0.26 | 6.5 | 25.6 | 0.73 | 40 |
| D6025V24M-K | 24 | 0.11 | 2.64 | 4250 | 0.19 | 4.83 | 21.5 | 0.61 | 34 |
| D6025V24L-K | 24 | 0.08 | 1.92 | 3600 | 0.14 | 3.56 | 18.5 | 0.52 | 31 |
| D6025V24XL-K | 24 | 0.06 | 1.44 | 3100 | 0.1 | 2.54 | 14.1 | 0.4 | 26 |
| D6025V48H-K | 48 | 0.12 | 5.76 | 5000 | 0.26 | 6.5 | 25.6 | 0.73 | 40 |
| D6025V48M-K | 48 | 0.07 | 3.36 | 4250 | 0.19 | 4.83 | 21.5 | 0.61 | 34 |
| D6025V48L-K | 48 | 0.06 | 2.88 | 3600 | 0.14 | 3.56 | 18.5 | 0.52 | 31 |
| D6025V48XL-K | 48 | 0.05 | 2.4 | 3100 | 0.1 | 2.54 | 14.1 | 0.4 | 26 |

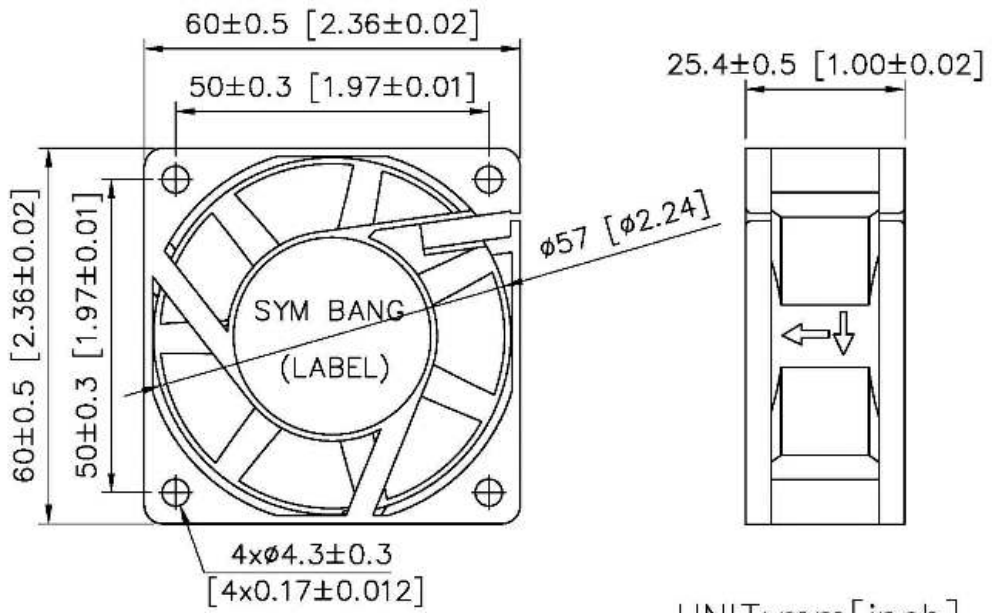
DIMENSION

SYMBANG

ROTATION DIRECTION



AIR FLOW



AIR PERFORMANCE

