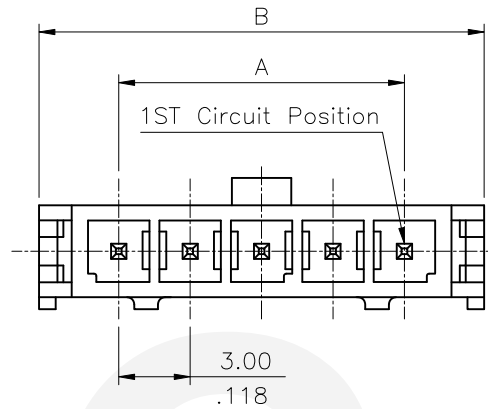


Ordering Code:

CP35 ** P * V 0 0 - S - LF
 ① ② ③ ④ ⑤ ⑥ ⑦ ⑧ ⑨

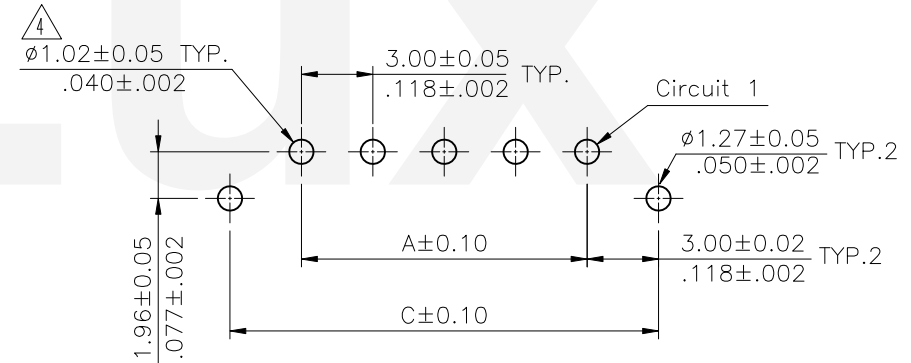
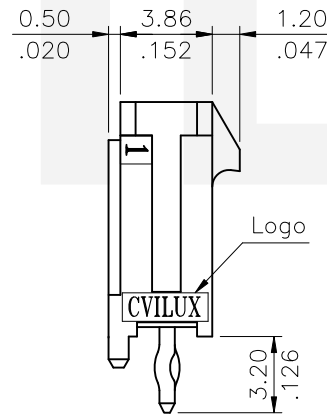
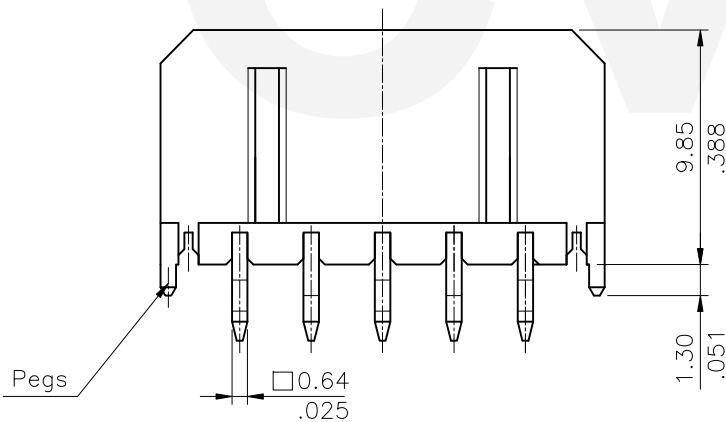
Material:

- △ * Insulation: High Temperature Plastic
UL 94V-0, Color Black
- * Contact: Brass



- ① Series No.
- ② No. of Circuits: 02~12
- ③ Contact type: P = Plug
- ④ Contact plated:
 - 1= Matte Tin over Nickel
 - 2= Gold flash plated over 50μ" Nickel
 - 3= 15μ" Gold plated over 50μ" Nickel
 - 4= 30μ" Gold plated over 50μ" Nickel
- ⑤ V= Straight
- ⑥ Mount type : 0= DIP Type
- ⑦ Other options: 0= With pegs(Standard)
- ⑧ S= Single Row Header
- ⑨ LF= Lead Free soldering process

CIRCUITS	DIM.A	DIM.B	DIM.C
2	3.00(.118)	9.65(.380)	9.0(.354)
3	6.00(.236)	12.65(.498)	12.0(.472)
4	9.00(.354)	15.65(.616)	15.00(.591)
5	12.00(.472)	18.65(.734)	18.00(.709)
6	15.00(.591)	21.65(.852)	21.00(.827)
7	18.00(.709)	24.65(.970)	24.00(.945)
8	21.00(.827)	27.65(1.089)	27.00(1.063)
9	24.00(.945)	30.65(1.207)	30.00(1.181)
10	27.00(1.063)	33.65(1.325)	33.00(1.299)
11	30.00(1.181)	36.65(1.443)	36.0(1.417)
12	33.00(1.299)	39.65(1.561)	39.0(1.535)

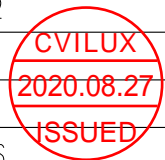


△ Recommended P.C. Board layout

Lead Free Process

RoHS Compliant

SYMBOL	NAME	DATE	REVISIONS	APPROVED BY:	DATE	UNIT: mm / inch	TITLE: 3.00mm PITCH STRAIGHT HEADER POWER CONNECTOR
△4	Kenny	8/20-20'	ECNT120218		DATE	UNIT: mm / inch	TITLE: 3.00mm PITCH STRAIGHT HEADER POWER CONNECTOR
△3	Yushu	4/11-19'	ECRB118091/ECNT119092	DRAWN BY: Kenny	8/20-20'	TOLERANCE UNLESS OTHERWISE SPECIFIED	MATERIAL:
△2	Karen	7/16-09'	ECN09363	ENGINEER: Sun	8/25-20'	.X ± 0.30/.012 X' ± 1'	FINISH:
△1	Eager	10/04-07'	ECN07414	CHECKED BY: Eisley	8/25-20'	.XX ± 0.20/.008 .X' ±	DRAWING NO. CP3565SD PART NO. CP35**P*V00-S-LF
SYM	NAME	DATE	REVISIONS	APPROVED BY: Eisley	8/25-20'	.XXX ± 0.10/.004 .XX' ±	SCALE 3 / 1 SHEET 1 OF 1



瀚荃股份有限公司
CviLux Corporation