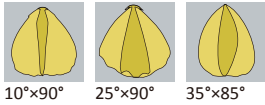


Datasheet

LL01CR-CAXxxLxx

Available Distribution



10°x90° 25°x90° 35°x85°

Dimensions

Part Number	LxW	Height
LL01CR-CAX1090L02	20.5x20.5	13.9
LL01CR-CAX2590L06	20.5x20.5	13.9
LL01CR-CAX3585L02	24x19	10.51

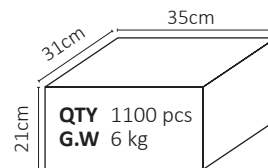
*All dimensions are in millimeters.

LED



CREE XPE2 **CREE** XP-G2 **CREE** XPL-HD

Packaging Details (SPQ)



Recommand Applications



Landscape Waterproof Wall Washer

General Information

PMMA 70°C -40°C	PC 110°C -40°C	PMMA 8N HB 1.5mm RTI 90°C	PC LEV1700KL V-2 1.5mm RTI 130°C	400nm~900nm > 90%		
-----------------------	----------------------	---------------------------------	--	----------------------	--	--

- Lens Material L02: PC LEV1700KL / L06: PMMA 8N
- Operating Temperature PC: -40°C~+110°C / PMMA: -40°C~+70°C
- UL Flammability PMMA: HB @1.5mm / PC 1700KL: V-2 @1.5mm
- UL RTI Elec PMMA: 90°C @1.5mm / PC 1700KL: 130°C @1.5mm
- Light Transmission Rate 400nm~900nm > 90%
- ☑ If necessary, Clean lenses with mild soap, water and soft cloth.
- ⚠ Never use any commercial cleaning solvents on lenses, like alcohol.
- 🧤 Please handle or install lenses with wearing gloves, skin oils may damage lens or its optical characteristic.

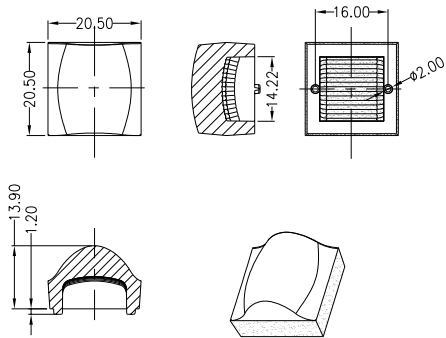
Mechanical Specification

*All dimensions are in millimeters.

Lens Dimension



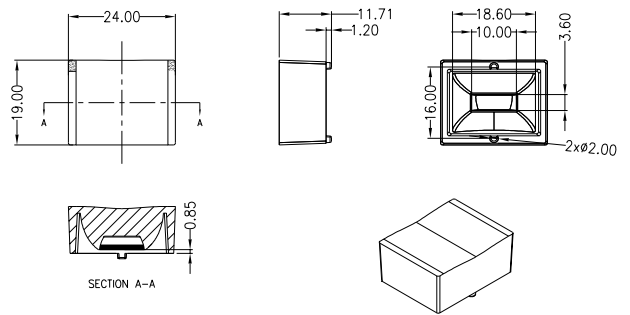
LL01CR-CAX1090L02 / LL01CR-CAX2590L06



Lens Dimension



LL01CR-CAX3585L02



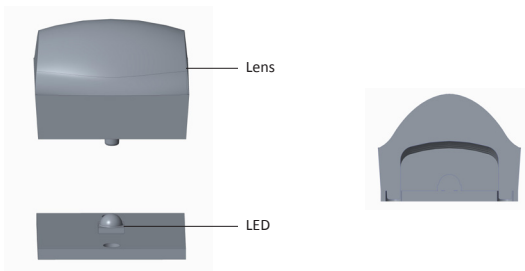
Assembly Instruction

Fixing Method

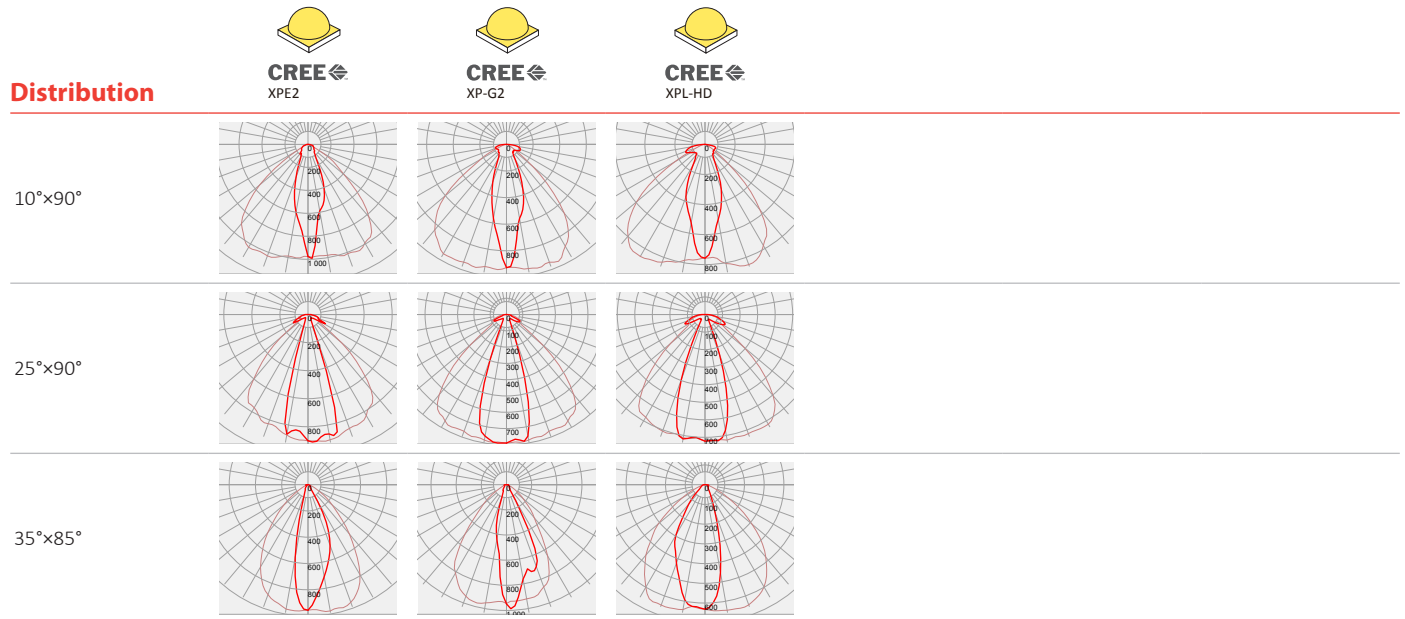
Part No LL01CR-CAXxxLxx






Luminaire Accessories






Photometric Distribution

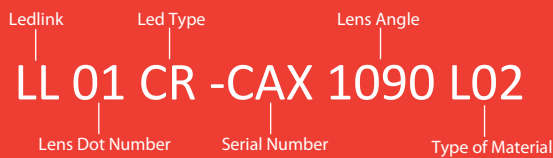


Details by LED

Part No	Accessories	LED Package Size	LED
LL01CR-CAXxxLxx	-	3535	   CREE CREE CREE <small>XPE2 XP-G2 XPL-HD</small>

LED	Part No	FWHM	cd / lm	IES
 CREE <small>XPE2</small>	LL01CR-CAX1090L02	30°×98°	1.1	↓
	LL01CR-CAX2590L06	32°×91°	0.9	↓
	LL01CR-CAX3585L02	78°×31°	1.0	↓
 CREE <small>XP-G2</small>	LL01CR-CAX1090L02	29°×97°	0.9	↓
	LL01CR-CAX2590L06	34°×94°	0.7	↓
	LL01CR-CAX3585L02	32°×75°	1.0	↓
 CREE <small>XPL-HD</small>	LL01CR-CAX1090L02	36°×99°	0.8	↓
	LL01CR-CAX2590L06	38°×94°	0.7	↓
	LL01CR-CAX3585L02	97°×42°	0.6	↓

Product Nomenclature



Ledlink Optics, Inc Taiwan HQ

15F, No.655, Bannan Rd., Chung-Ho Dist.,
New Taipei City, Taiwan 235

Ledlink Optics (Dongguan) Co., Ltd Dongguan Factory

No.5, TianKeng Industrial Dist., HengLiTown, DongGuan City,
GuangDong Province, China 523478

Ledlink Optics (Yangzhou) Co., Ltd Yangzhou Factory

No.180, LinJiang Rd., YangZhou City, Jiangsu Province, China 225009

www.ledlink-optics.com

service@ledlink-optics.com

