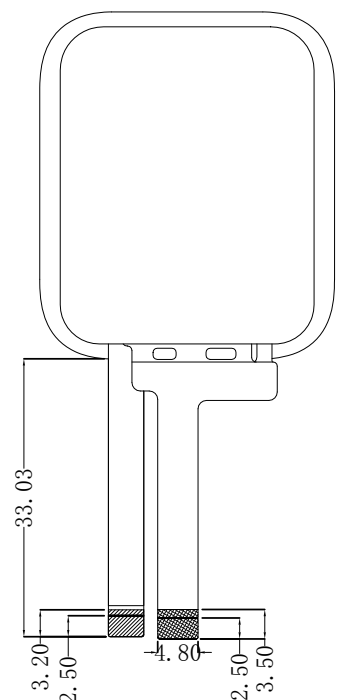
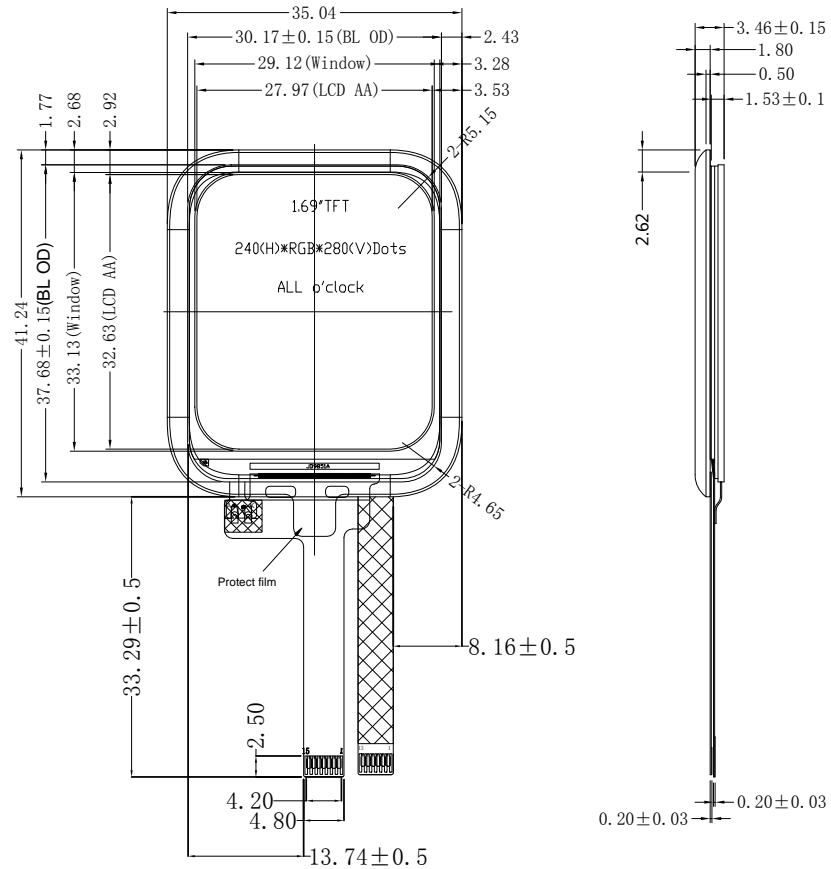


VERTION	DESCRIPTION	DATE
A	First issue	2020-10-28

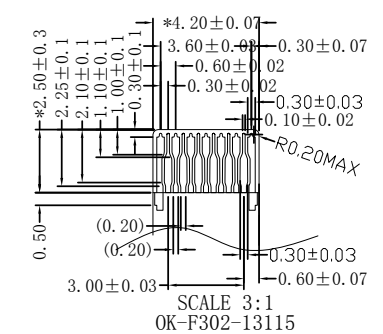
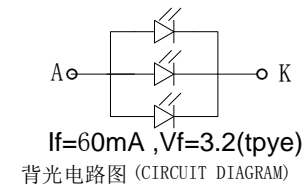
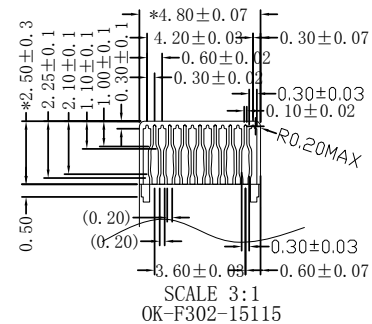


PIN	NAME
1	LEDK
2	GND
3	FMARK
4	SDA
5	A0 (WR)
6	SCLK (RS)
7	CS
8	RESET
9	I0VCC18
10	VCC28
11	VCC28
12	GND
13	GND
14	LEDA
15	LEDA

Pin Assignment	
NO.	SYMBOL
1	GND
2	S1
3	S2
4	S3
5	S4
6	S5
7	S6
8	S7
9	S8
10	S9
11	S10
12	GND
13	GND

Note:

1. All component are RoHS compatible.
2. Operation Temperature : -20°C~70°C
3. Storage Temperature : -30°C~80°C
4. Unspecified tolerance is 0.2mm.



LCD Type	240*280/IPS/QVGA/0.25MM
Viewing Angle	ALL
Suggest CTP driver	CST716(Not integrated in the CTP flex)
LCD Driver IC	JD9851A
Backlight	3 Leds/VF=3.2±0.2V/IF=60MA
Brightness	300CD/M2 (TYP)
Color coordinate	X=0.29±0.03;Y=0.32±0.03
Connector type	OK-F302-15115 and OK-F302-13115

CUSTOMER APPROVE		FORMIKE® FORMIKE ELECTRONIC CO.,LTD. LED-CONTRACT MANUFACTURER 深圳科万宏电子有限公司 www.wandisplay.com	
		MODULE NO.	KWY017ST01-C01
		MATERIAL NO.	VERTION: A
		ISSUED	CHECKED
		APPROVED	SHEET: 1 OF 1
		LEO	ZENG
		LIU	UNIT: MM
			DATE: Oct-20-2020