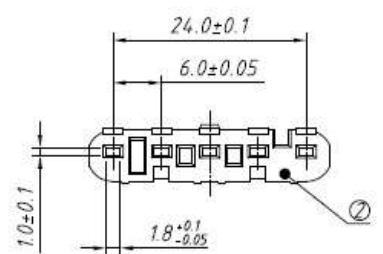
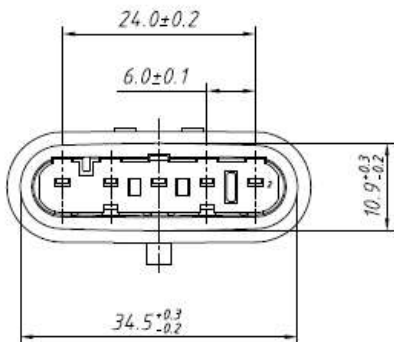
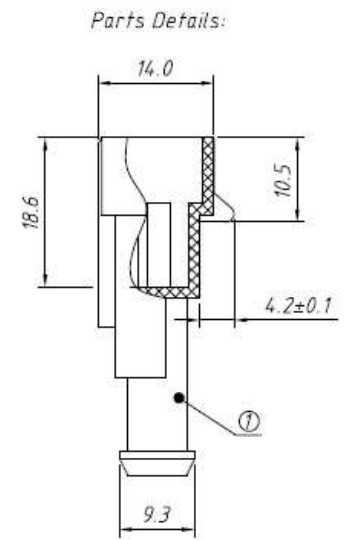
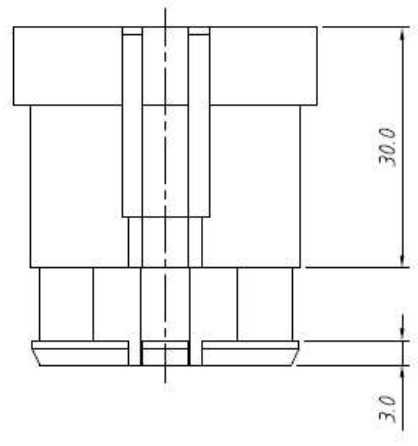
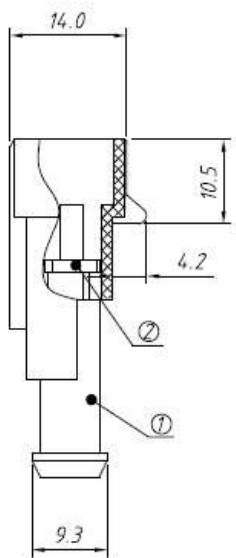
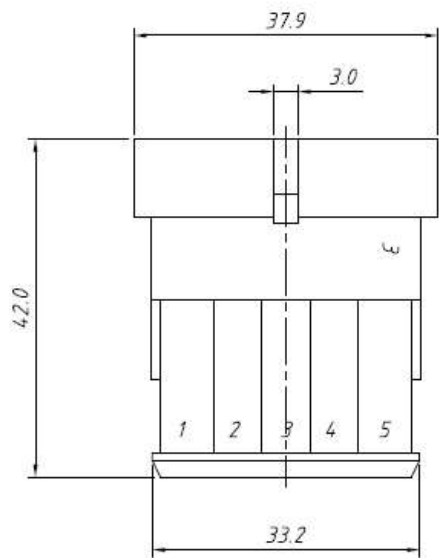


RoHS Compliance



Material:
 1.Housing:PA66,Black,UL 94 V-0
 2.Lock:PA66+GF,RED

ANGLE TOLERANCE	PROJECTION	Description:
±3°		
GENERAL TOLERANCE	UNITS	mm
x.x ±0.30	SHEET SIZE	A4
x.xx ±0.20	Draw:	Daniel 2018-07-10
x.xxx ±0.10	Check:	Daniel 2018-07-10

5P Male Housing

CONNTERM