

PPC-156

15" Fanless Multi-touch Panel PC with Intel® Core™ i5-4300U Processor



Features

- 15" TFT XGA LED Panel with Projected Capacitive Touch Display
- Intel® Core™ i5-4300U Processor
- System Memory up to 8 GB DDR3L 1333 SDRAM
- Two-finger Touch Control while Wearing Gloves
- Internal SATA 2.5" HDD and mSATA Socket
- Panel and VESA Mounting

Applications

- Human Machine Interface (HMI)
- Factory / Manufacturing Automation
- ATM / Self-service / Kiosk Applications
- Vending Machine / Ticketing Machine

→ Packing List

Description
1 x PPC-156
1 x Power Adapter (AC-to-DC, 12 V @ 5 A, 60 W)
6 x Panel Mounting Screws

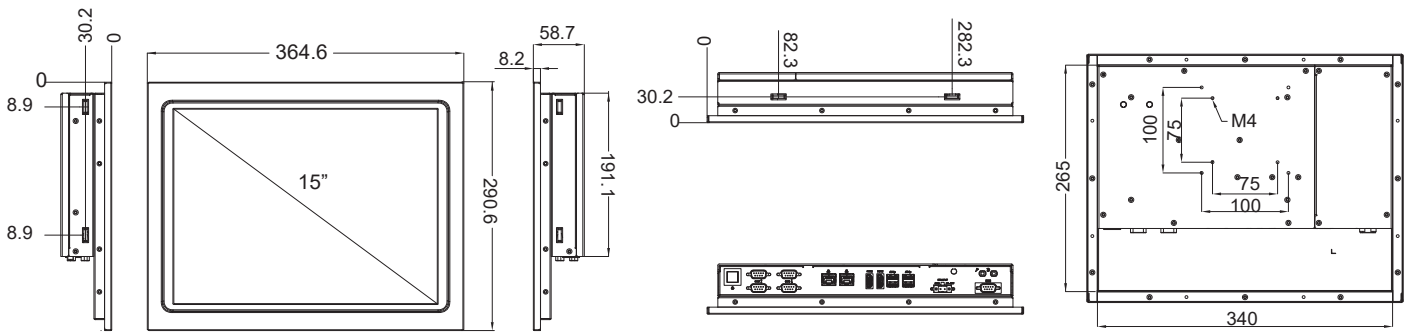
→ Optional Items

Part No.	Description
ACS-PS-US	Power Cable 3-pin, 180 cm, USA Type
ACS-PS-EU	Power Cable 3-pin, 180 cm, Euro Type
ACS-PS-CN	Power Cable 3-pin, 180 cm, China Type
ACS-100-STD	VESA Table Stand

→ Ordering Information

Part No.	Description
PPC-156P-A1	15" Fanless Projected Capacitive Touch Panel PC with Intel® Core™ i5-4300U 1.9 GHz Processor
PPC-156R-A1	15" Fanless 5-wire Resistive Touch Panel PC with Intel® Core™ i5-4300U 1.9 GHz Processor

→ Dimensions



→ Specifications

Cut out: 342 * 267mm

Model		PPC-156P	PPC-156R
Processor System	CPU	Intel® Core™ i5-4300U Processor	
	Frequency	Dual-Core up to 1.9 GHz	
	L2 Cache	Intel® Smart Cache 3 MB	
	System Chipset	N/A	
Memory	BIOS	UEFI	
	Technology	DDR3L 1333 MHz SDRAM	
	Max. Capacity	8 GB	
Display	Socket	1 (204-pin SO-DIMM)	
	Panel Size	15" LCD Panel	
	Resolution	1024 x 768 (XGA)	
	Viewing Angle	80 x 80 (H) x 80 x 80 (V)	
	Brightness	250 (cd/m ²)	
	Color Support	16.7M	
	Contrast Ratio	600:1	
	Response Time	8 (msec)	
	HDMI	2 HDMI 1.4a up to 1080 x 1920	
	Three Display	LCD Panel + 2 HDMI	
	Touchscreen	Touchscreen Type	Projected Capacitive
Surface Hardness		7 Mohs	3 Mohs
Durability		-	36 millions times
Transparency		90% (±3%)	80% (±3%)
I/O Interface	USB	4 USB 3.0	
	Serial Port	4 COM (Default: 2 RS-232/422/485, 2 RS-232)	
	Digital I/O (Optional)	8-pin Digital I/O (DB-9 connector)	
	Expansion	2 Mini PCIe (1 full-size Mini PCIe or mSATA, selected by jumper setting; 1 half-size Mini PCIe)	
Ethernet	Controller	GbE 1: 10/100/1000 Mbps (Realtek RTL8111G-CG) GbE 2: 10/100/1000 Mbps, i218LM	
	Audio	Chipset	Realtek ALC662 High Definition Audio (HD)
Storage	Connector	Line out, Mic in	
	mSATA	1 mSATA (shared with full-size mini PCIe)	
Power	SATA II	1 Internal 2.5" HDD/SSD	
	Power Supply Voltage	Supports 9-36 V DC input (Phoenix Connector)	
	Power Adaptor	AC-to-DC, 12 V @ 5 A, 60 W	
	Power Consumption (Typical)	1.65 A @ 12 V (19.8 W)	
	Power Consumption (Max)	3.06 A @ 12 V (36.7 W)	
Environment	Battery	Lithium 3 V / 210 mAh	
	Operating Temperature	0~50° C (32~122° F) (Humidity: 50° C @ 80% RHNon-condensing)	
	Storage Temperature	-40~85° C (-40~185° F) (Humidity: 85° C @ 80% RHNon-condensing)	
	Humidity	5~95% @ 40° C, non-condensing	
	Vibration	5-500 Hz, 0.026 G ² /Hz, 2.16 Grms, X, Y, Z, 1 hour per axis	
General	Certification	CE, FCC Class A	
	Ingress Protection	IP54	
	Dimensions (L x W x H)	364.6 x 290.6 x 58.7 mm (14.35" x 11.44" x 2.31")	
	Weight	4.61 kg (10.14 lb)	4.55 kg (10.01 lb)
Operating System	Windows 7/8.1/10, WES7-E/P, WE8S, Ubuntu 14.04		