

REV	ECN	DESCRIPTION	DRFT	DATE

NOTES1:

UL Standard

1.Rated voltage/current: 300V/10A

2.Withstanding voltage: AC1600V/1Min

IEC Standard

1. Pollution Degree	2
Overvoltage Category	II
Rate Impulse Voltage (KV)	2.5KV
Rate Voltage (V)	250V
Rate Current(A)	10.5A

NOTES2:

1.Housing: PA66(UL94V-0)

2.Cover: PA66(UL94V-0)

3.Welding needle: Brass, Su Plated

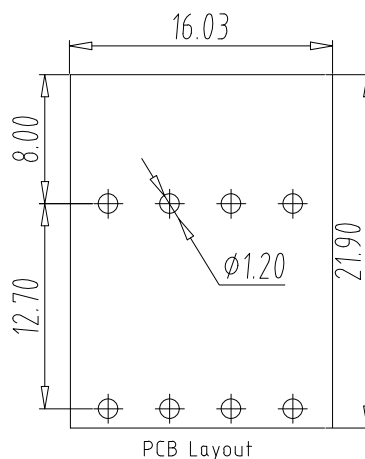
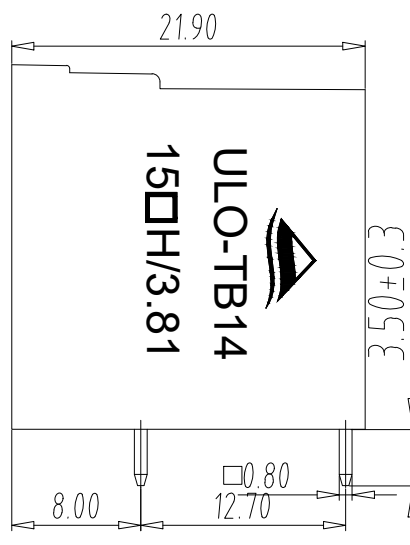
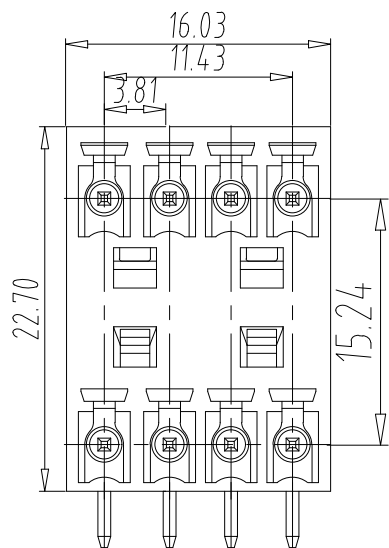
NOTES3:

1.Pitch: 3.81mm Poles: 04~48P

2.Operating temperature: -40°C+115°C

3.Max soldering: +250°for5s

4.ROHS Compliance



ULO-TB14 -15RH/3.81- 08P- 4  
 Certificate Factory poles color:  
 Series NO. Code  
 1:Grey  
 2:Blue 6:Red  
 3:Black 7:transparent  
 4:Green 8:Yellow  
 5:Orange 9:White

Nominal dimension range in mm												⊥	=	-	//	
over 0	over 6	over 10	over 18	over 30	over 50	over 80	over 120	over 160	over 200	over 250	over 0	over 10	all	over 0	over 100	over 150
to 6	to 10	to 18	to 30	to 50	to 80	to 120	to 160	to 200	to 250	to 10	to 10			to 100	to 150	
±0.10	±0.14	±0.19	±0.25	±0.32	±0.43	±0.57	±0.72	±0.88	±1.05	±1.25	0.2	0.3	0.3	0.2	0.3	0.5

DWG.	Liu Lian.	DATE.	2020.09.17.	UNITS	MM	SHEET/OF	1/1
CHK.	TuoMingBo.	DATE.	2020.09.17.	SCALE	1:1	A4	
APP.	GaoQingQing.	DATE.	2020.09.17.	NAME	ULO-TB14-15RH/3.81-08P-4		
NINGBO ULO ELECTRONICS CO LTD 宁波欧路电子有限公司				DWGNO.		REV	B