

## 60W Constant Voltage Slim-US Series



■ Approve



### Features

- Class II, SELV, independent
- Input Voltage 220-240VAC
- Protections: SCP/OLP/OTP
- Power Factor > 0.95
- Efficiency ≥87%
- 5 years warranty

### Applications

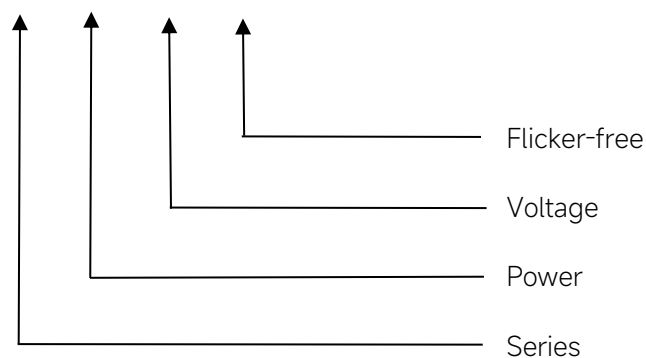
- LED strips

### ◆ Description

US-60-XX LI1 is a 60W constant voltage LED driver that operates from 198-264Vac input with 12V or 24V output voltage. With its slim dimensions from 329 x 30x 17mm. it is easy to integrate in LED strips product. To ensure trouble-free operation, protection is provided against output short circuit, over Load and over temperature.

### ◆ Model code

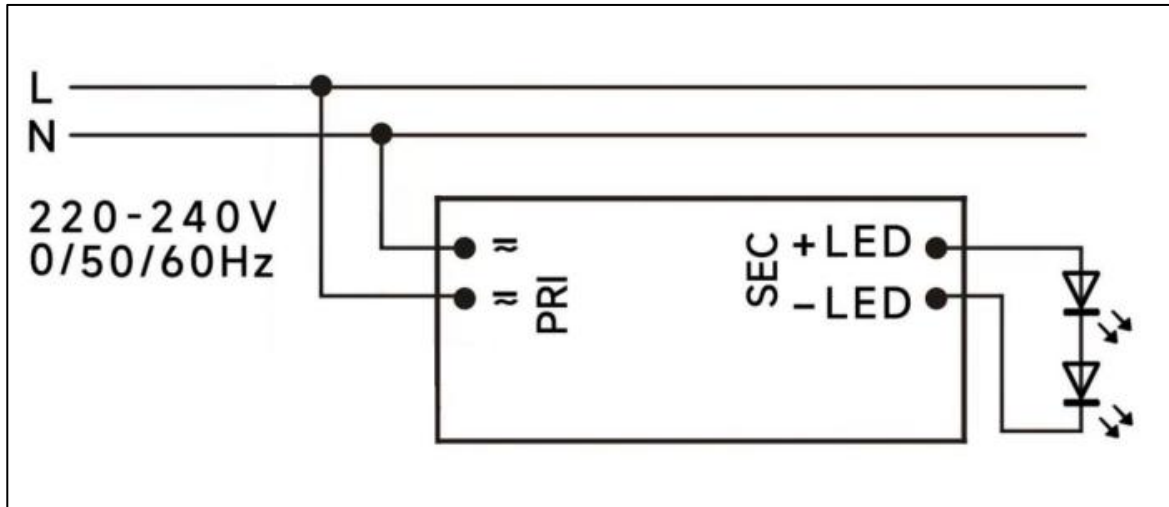
US-60-XX LI1



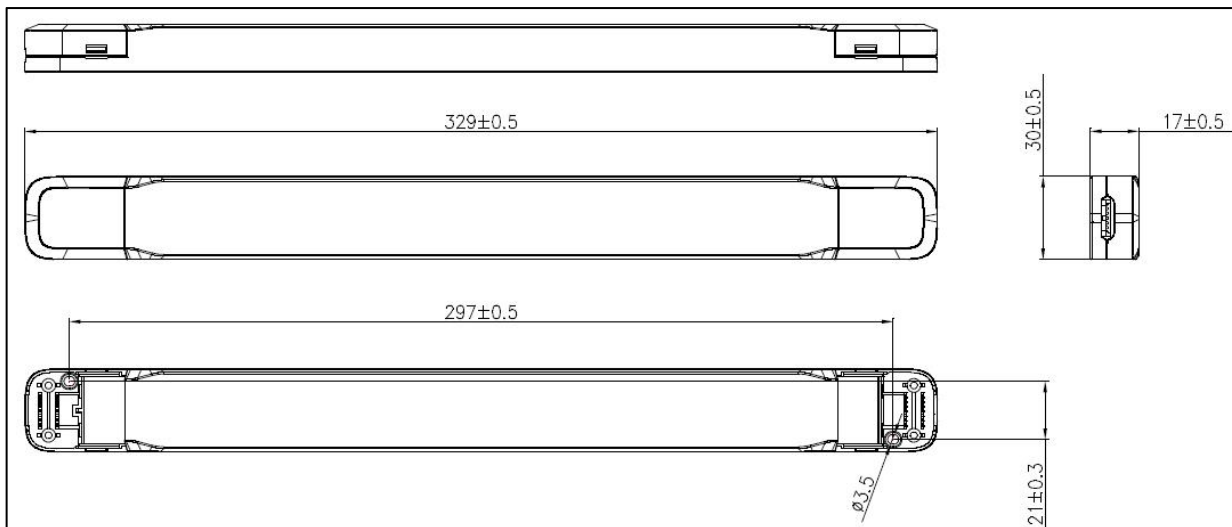
## ◆ Specification

Output	Constant Voltage	12VDC	24VDC
	Current Range	0.5-5A	0.25-2.5A
	Voltage Accuracy	±5%	
	Output HF current ripple(≥1KHz)	±2%	
	Output LF current ripple(≤120Hz)	±1%	
	SVM	≤0.4	
	Pst	≤1	
	Efficiency(Typ.)	≥87%	≥89%
Input	Rated input voltage	220-240VAC	
	Range of input voltage	198-264VAC	
	Frequency(Hz)	50/60 Hz	
	Power Factor	≥0.95	
	Input Current max	0.46A	
	Start-up time	< 1S	
	No Load Power	≤0.5W	
	THD (Typ.)	< 12%	
Protection	Over Load Protection	105-150% YES/Auto Resume	
	Short circuit Protection	YES/Auto Resume	
	Over Temperature Protection	YES/Auto Resume	
Environment	Operating Temperature	-20°C~+45°C	
	Humidity	20%-90%RH	
	Tc	90°C	
	Storage Temperature	-40°C~+60°C	
	Life time	> 50000h@Tc=75°C	
Surface	Dimension	329X30X17(LXWXH)mm	
standards	EN 61347-1; EN61347-2-13; EN62384; EN55015; EN61000-3-2 ; EN61000-3-3; EN 61547;		
Others	ErP	EU 2019/2020	
	RoHS	RoHS (2011/65/EU) (EU)2015/863	
Note	<p>1.All parameters NOT specially mentioned are measured at 230VAC input , full load and 25°C of ambient temperature.</p> <p>2.Ripple &amp; Noise are measured at 20MHz of bandwidth by using a 300mm twisted pair-wire terminated with a 0.1uF &amp; 47 uF parallel capacitor.</p> <p>3.Data are typical values obtained from test samples.</p> <p>4.Dimmable via external PWM LED dimmers attached on output side.</p>		

◆ Wiring diagram

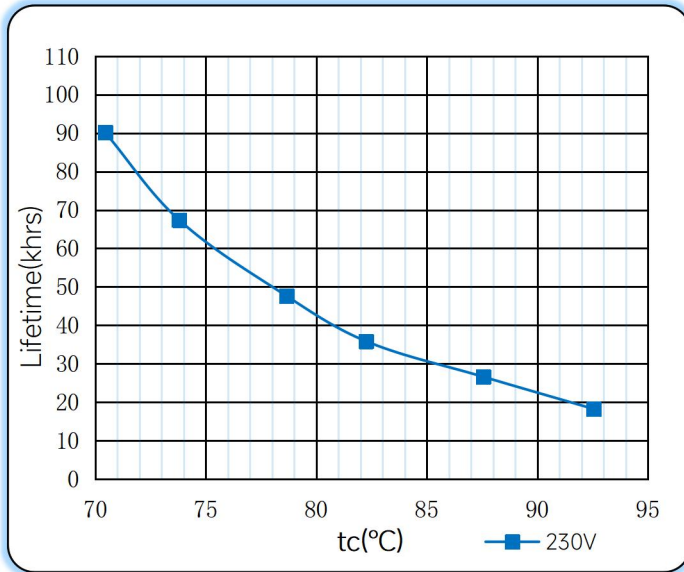


◆ 2D diagram

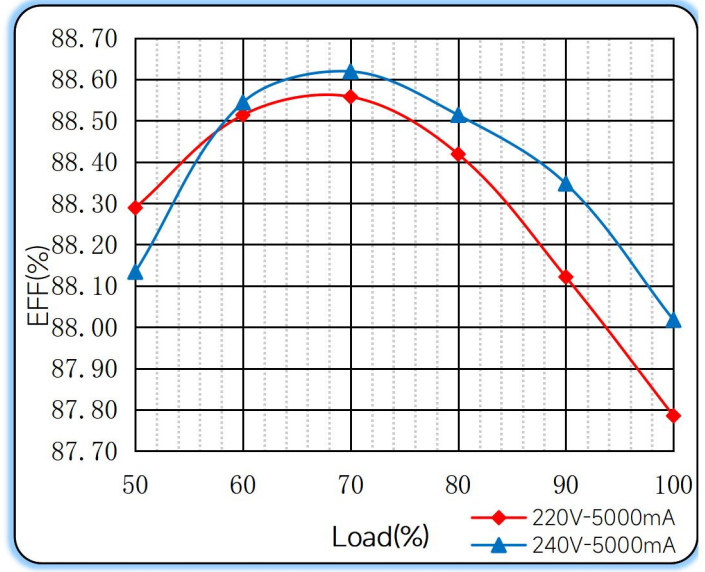


◆ **Curve for US-60-12 LI1**

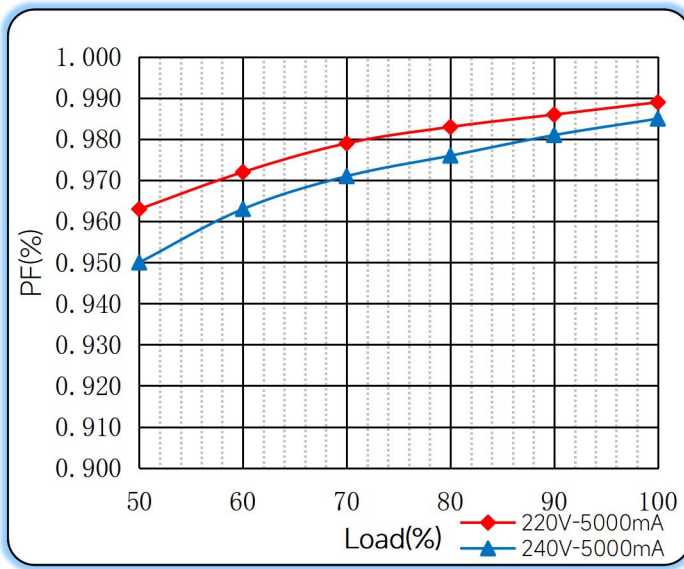
Lifetime vs. Temperature Curve



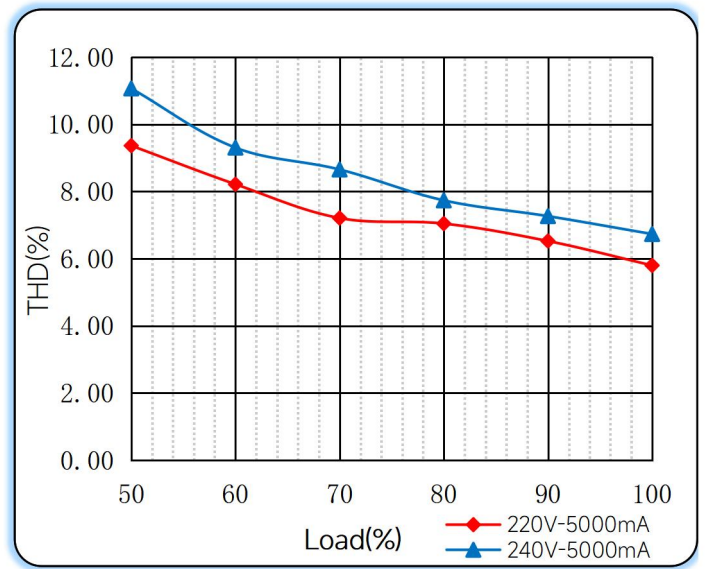
Efficiency vs. Load



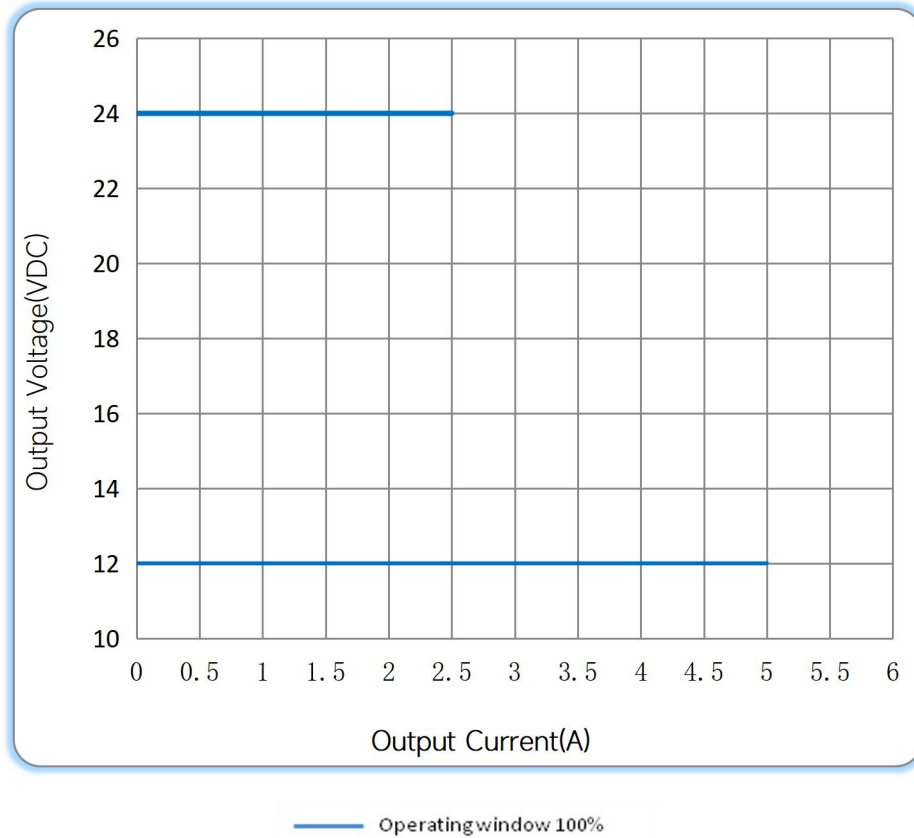
Power Factor Characteristics



THD vs. Load



### ◆ Operating window



### ◆ Revision Updates

ITEM	BEFORE	AFTER	VERSION	DATE
Initial			A	2022/05/15

Tel: +86-0757-86256822, +86-0757-86256831

E-mail: sales@eaglerise.com

Website : <https://lighting.eaglerise.com>



EAGLERISE



Manual