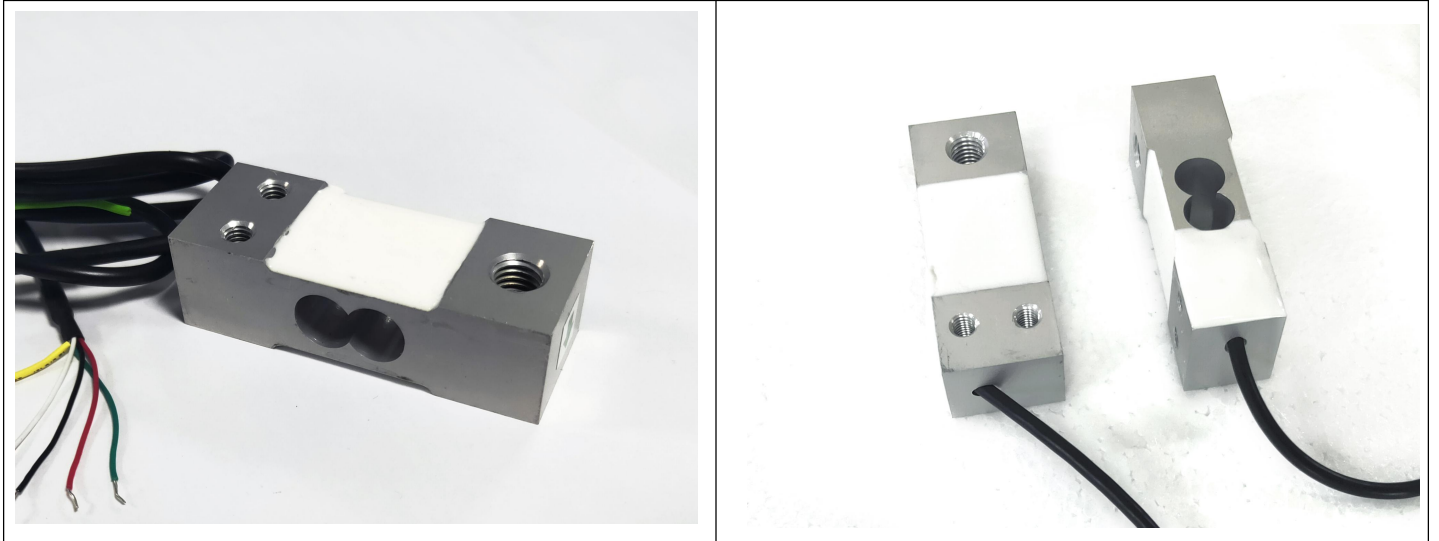


Single Point Load Cells,Parallel Beam Load Cells

Model:L602JM



CAPACITY:

10KG,20KG,40KG,50KG,100KG,120KG,150KG

FEATURES:

Designed for off-center load , Maximum platform size :200x200 mm (according to capacity) ,Small sized ,

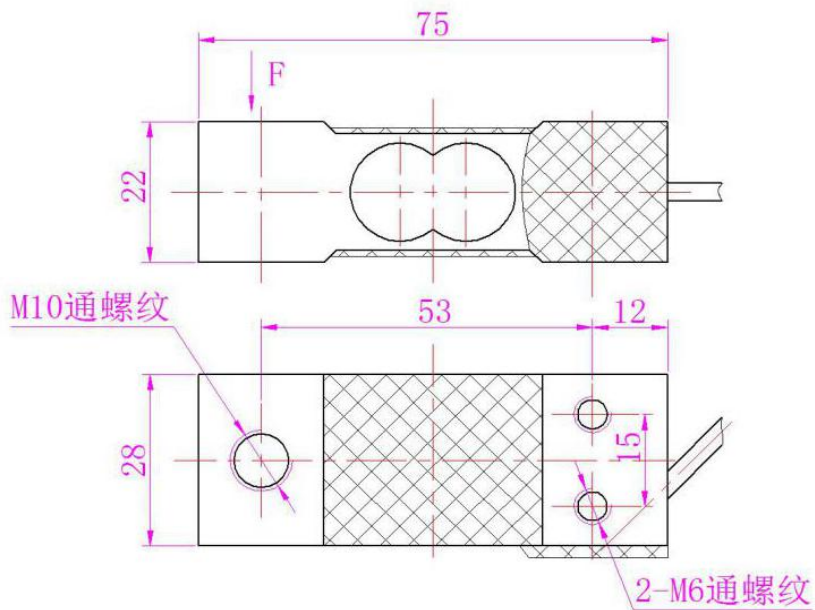
Material :anodized aluminium alloy - Protection: IP 65

Easy to install,Economical and high accuracy.

APPLICATIONS:

Bench scales,Small hopper weighing,Filling, packaging and batching

Drawing:(mm)



Parameters:	
Precision:	C2
Full Scale Output:	2mv/v±0.1
Creep(%F.S/30min):	±0.02
Repeatability (%F.S)	±0.02
Non-Linearity(%F.S)	±0.02
Zero balance(%F.S):	±1.0
Input resistance:	405±10
Output resistance:	350±3
Insulation resistance:	≥5000(100VDC)
Temp. effect on span(%F.S/10°C):	±0.03
Temp. effect on zero(%F.S/10°C):	±0.03
Use temp. range(°C) :	-20 ~ +55
Excitation voltage(V) :	9~12(DC)
Recommend Voltage:	10V
Safety overload (%F.S)	120%
Ultimate Overload(%F.S)	150%
Defend grade	IP65
Cable Length:	0.45meters -3 meters
Wire Connection:	