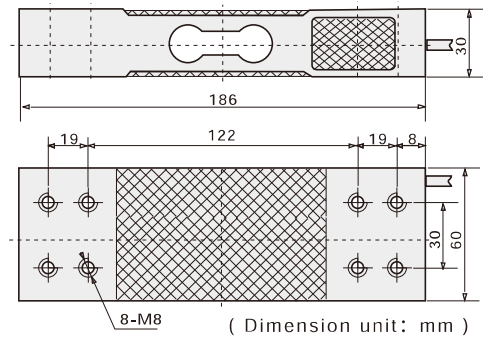


PARALLEL BEAM LOAD CELL

Single shear beam load cell series: **L628**; Rated load: **50kg ~ 1000kg**
 Material: Aluminium-alloy

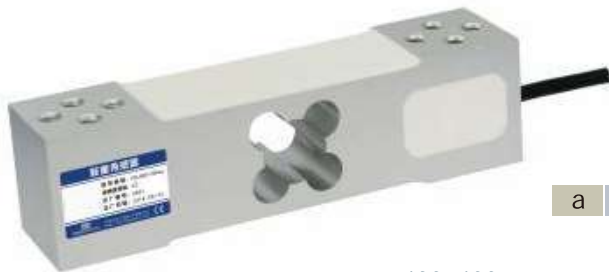


Recommended platform size **600×600mm**

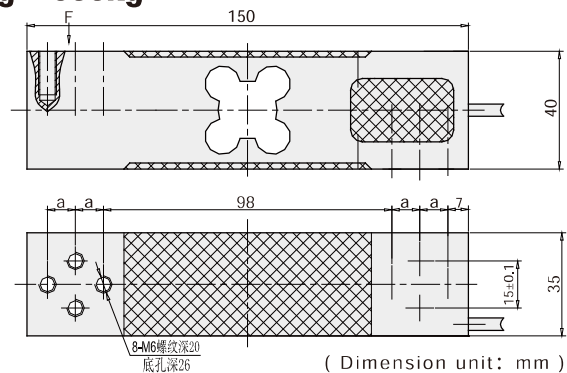


PARAMETERS		
传感器量程	50~1000 kg	Rated load
精度等级	C2 & C3	Precision
综合误差	±0.03 & ±0.017 %FS	Comprehensive error
灵敏度	2.0±0.2 mV/V	Rated output
零点输出	±1.0 %FS	Zero balance
输入阻抗	405±6 Ω	Input resistance
输出阻抗	350±3 Ω	Output resistance
绝缘电阻	≥5000MΩ (100VDC)	Insulation resistance
使用温度范围	-10~+40 °C	Use temp.range
激励电压	9~12 VDC	Excitation voltage
安全过载范围	120 %	Safe overload
极限过载范围	150 %	Ultimate overload
防护等级	IP65	Defend grade

Single shear beam load cell series: **L638**; Rated load: **30kg ~ 500kg**
 Material: Aluminium-alloy



Recommended platform size **400×400mm**



a 9.5±0.1

PARAMETERS		
传感器量程	30~500 kg	Rated load
精度等级	C2 & C3	Precision
综合误差	±0.03 & ±0.017 %FS	Comprehensive error
灵敏度	2.0±0.2 mV/V	Rated output
零点输出	±1.0 %FS	Zero balance
输入阻抗	405±6 Ω	Input resistance
输出阻抗	350±3 Ω	Output resistance
绝缘电阻	≥5000MΩ (100VDC)	Insulation resistance
使用温度范围	-10~+40 °C	Use temp.range
激励电压	9~12 VDC	Excitation voltage
安全过载范围	120 %	Safe overload
极限过载范围	150 %	Ultimate overload
防护等级	IP65	Defend grade