

# CONNTHERM

## Switch

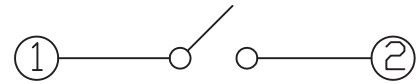
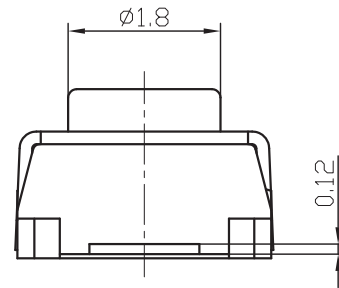
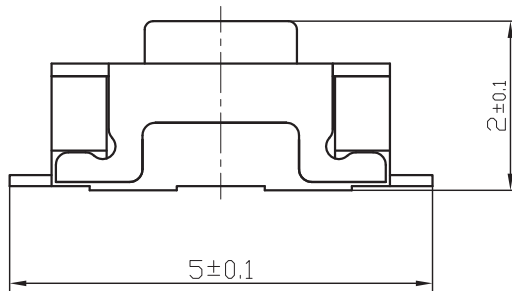
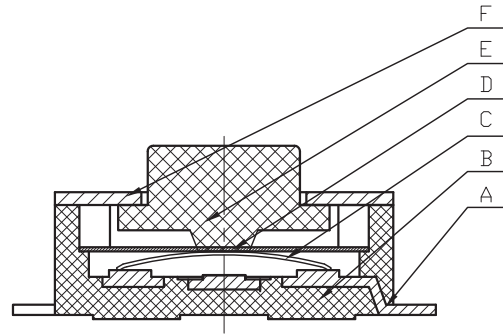
3x4mm (Two small turtles) Tact Switch

### Electrical:

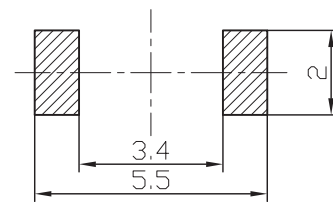
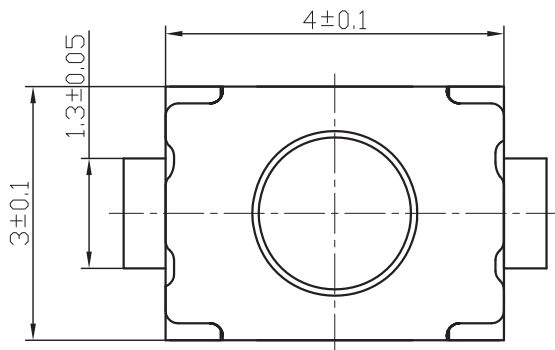
1. Rating: 50mA 12V DC
2. Contact Resistance: 100mΩ Max.
3. Insulation Resistance: 100MΩ Min, 100V DC
4. Dielectric voltage proof: 250V AC for 1min
5. Electrically Life: 30000 cycles Min.
6. Operating Force: 250±50gf
7. Environment temperature: -30°C~+70°C

### Materials:

- A. Cards: Phosphor, Silver
- B. Pedestal: LCP, Black
- C. Shrapnel: Stainless steel
- D. Dust Film: 0.05
- E. Push button: LCP, Black
- F. Cover: Stainless steel 0.15



原理图  
SCHEMATIC



安装参考尺寸  
P.C.B layout