

CONN THERM

Switch

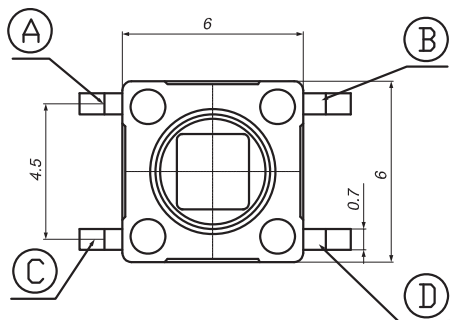
Tactile switch 6x6mm, SMT, SQ knob

Material:

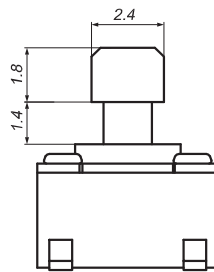
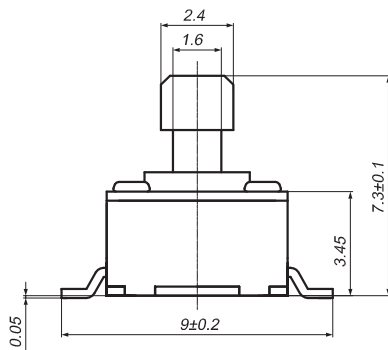
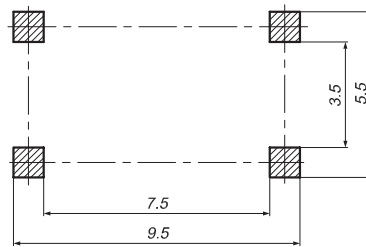
- 1, Insert: H62Y silvered
- 2, The base: PPA
- 3, Shrapnel: silver coated copper
- 4, Party hat head: PPA Black
- 5 Cover: H62T copper tin

Electrical Characteristics:

Rating: 50mA 12VDC
Contact Resistance : 50mΩ max(initial)
Insulation Resistance: 100MΩ (minDC 250V)
Dielectric Strength : AC250V(50/60Hz for 1minute)
Electrically Life:80,000cycles
Environment temperature: -25°C ~ 105°C
Operating Force: 180/250(±30gf)



Recommended P.C.B layout



SCHEMATIC

