

CONNTERM

Switch

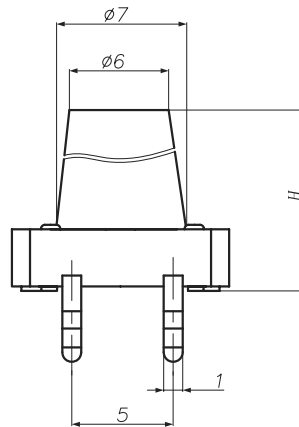
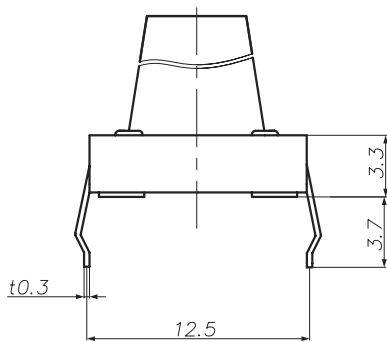
12x12 Tact Switch Series

ELECTRICAL

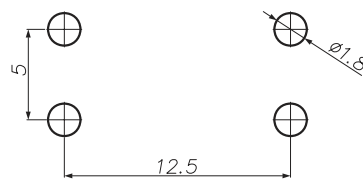
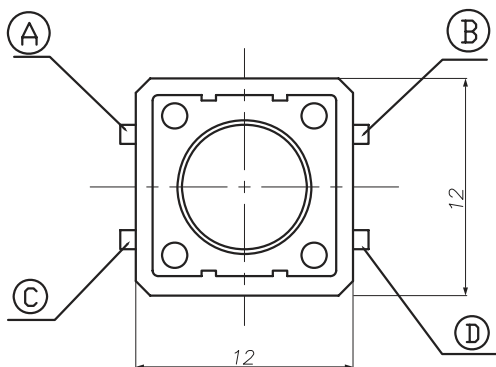
1. Rating: 50mA 12VDC
2. Contact Resistance : 50mΩ max(initial)
3. Insulation Resistance: 100MΩ(minDC 250V)
4. Dielectric Strength : AC250V(50/60Hz for 1minute)
5. Electrically Life: 100000cycles
6. Environment temperature: -20°C~+70°C
7. Operating Force: 180/250(±30gf)
8. Seal temperature: 260°C~ 280°C



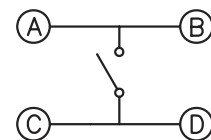
Dimension (unit: mm)



| H |
|------|
| 4.3 |
| 4.5 |
| 5.0 |
| 7.0 |
| 7.5 |
| 8.0 |
| 8.5 |
| 9.0 |
| 10.0 |
| 11.0 |
| 12.0 |
| 13.0 |
| 15.0 |
| 18.0 |



P.C.B layout



SCHEMATIC