



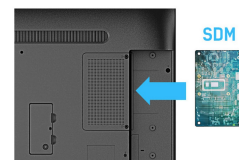
55" Landscape/Portrait Professional Digital Signage display, 18/7 operating time, 4K UHD resolution with Intel® SDM slot

Enjoy brighter signage with the ProLite 42 Series. Delivering a slim bezel, 500 cd/m² brightness display, which can be operated 18/7 in landscape and portrait orientation, for a choice on applications. Thanks to on-board Android 8.0, you can easily customize the display by installing applications directly to it, making it the perfect choice for Digital Signage and In-store communication.



Android OS

Thanks to Android OS, you can easily customize the display to your needs by installing applications directly to it.



SDM (Smart Display Module)

A Smart Display Module (Small/Large) is a plug-in module which can easily be inserted into the most stylish and ultra-slim displays. This small sized module delivers great performance with minimum implementation and management.

01 DISPLAY CHARACTERISTICS

Design	Thin bezel
Diagonal	54.6", 138.8cm
Panel	IPS, matte finish, haze 3%
Native resolution	3840 x 2160 @60Hz (8.3 MegaPixels 4K UHD)
Aspect ratio	16:9
Brightness	500 cd/m ² typical
Static contrast	1300:1 typical
Response time (GTG)	9ms
Viewing zone	horizontal/vertical: 178°/178°, right/left: 89°/89°, up/down: 89°/89°
Colour support	1.07B 10bit
Horizontal Sync	30 - 80kHz
Vertical Sync	50 - 75Hz
Viewable area W x H	1209.6 x 680.4mm, 47.6 x 26.8"
Bezel width (sides, top, bottom)	13.9mm, 13.9mm, 13.9mm
Pixel pitch	0.315mm
Bezel colour and finish	black, matte

02 INTERFACES / CONNECTORS / CONTROLS

Analog signal input	VGA x1 (max. 1920x1080 @60Hz)
Digital signal input	DVI x1 (max. 1920x1080 @60Hz) HDMI x2 (max. 3840x2160 @60Hz)
Audio input	Mini jack x1 (3.5mm)
Monitor control input	RS-232c x1 (2.5mm sub-mini jack) RJ45 (LAN) x1 IR x1 (3.5mm stereo mini)
Audio output	S/PDIF (Optical) x1 Speakers 2 x 10W
Monitor control output	RS-232c x1 IR loop through x1 (3.5mm stereo mini)
HDCP	yes
USB ports	x2 (v.2.0 x1, v.3.0 x1)

03 FEATURES

Integrated software	Android OS 8.0, EShare, iiSignage
WiFi	optional
Hardware	CPU: HiSilicon V810, CA73*2+A53*2, Memory: 2GB DDR4, Storage: 16GB eMMC
Extra	Intel® SDM-L, micro SD card slot
Max. non-stop operating time	18/7
Anti image retention	yes
Media playback	yes
Housing (bezel)	metal (front)

04 GENERAL

OSD languages	EN, DE, FR, ES, IT, CN, RU, JP, CZ, NL, PL
Control buttons	Power, Mute, Input, Plus, Minus, Up, Down, Menu

User controls	picture (brightness, contrast, sharpness, black level, tint, color, noise reduction, gamma selection, color temperature, color control, smart power, over scan, picture reset), screen (H. position, V. position, clock, clock phase, zoom mode, custom zoom, auto adjust, screen reset), Audio (balance, treble, bass, volume, audio out, maximum volume, minimum volume, mute, audio source, audio reset, audio out sync), configuration 1 (switch on state, panel saving, RS232-routing, boot on source, configuration 1 reset, factory reset), Configuration 2 (OSD turn off, OSD H-Position, OSD V-position, rotation, information OSD, logo, monitor ID, monitor information, HDMI version, configuration 2 reset), Advanced option (IR control, Power LED light, keyboard control, off timer, date and time, schedule, language, OSD transparency, power save, SDM settings, advanced option reset), android settings (ethernet, signage display, system tools, apps, display, security, date & time, developer options, about)
---------------	--

Plug&Play	DDC2B
-----------	-------

05 MECHANICAL

Orientation	landscape, portrait
Fanless design	yes
VESA mounting	400 x 400mm
Operation temperature range	0°C - 40°C
Storage temperature range	- 20°C - 60°C
MTBF	50.000 hours (excluding backlight)

06 ACCESSORIES INCLUDED

Cables	power, HDMI, RS-232c
Guides	quick start guide, safety guide
Other	Stickers for screw holes
Remote control	yes (batteries included)

07 POWER MANAGEMENT

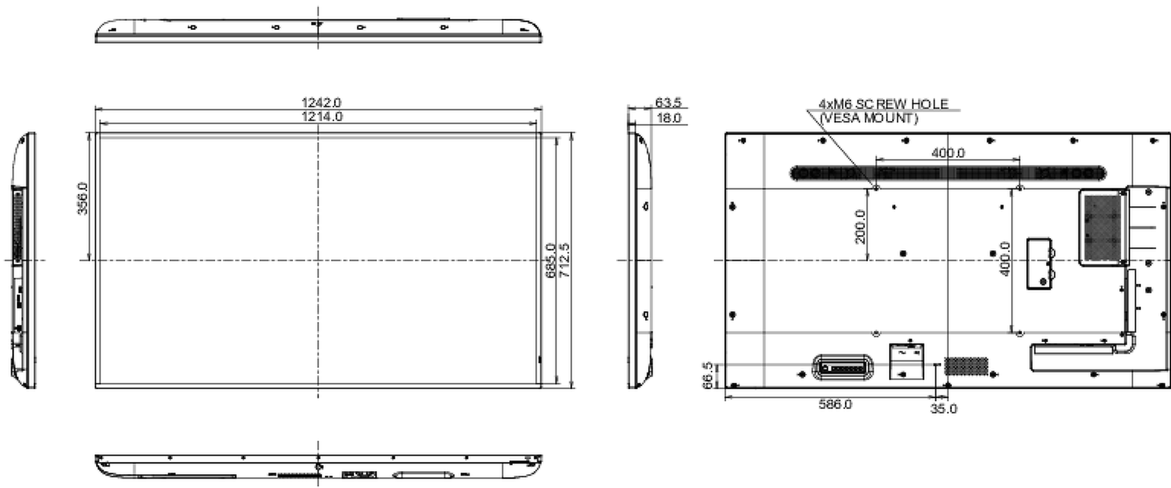
Power supply unit	internal
Power supply	AC 100 - 240V, 50/60Hz
Power usage	133W typical, 0.5W stand by, 0.5W off mode

08 SUSTAINABILITY

Regulations	CB, CE, TÜV-Bauart, EAC, RoHS support, ErP, WEEE, REACH
Energy efficiency class	B

09 DIMENSIONS / WEIGHT

Product dimensions W x H x D	1241 x 712.5 x 63.5mm
Box dimensions W x H x D	1350 x 860 x 160mm
Weight (without box)	16.7kg
Weight (with box)	23kg
EAN code	4948570117451



10 EU ENERGY EFFICIENCY LABEL

Model ProLite LH5542UHS-B1

Energy efficiency class	B
Visible screen diagonal	139cm; 55"; (55" segment)
ON mode power consumption	133W
Annual energy consumption	194kWh/annum*
Power in OFF Mode	0.5W off mode

*This is information under Regulation (EU) No 1062/2010.*Based on the power consumption of the television operating 4 hours per day for 365 days. The actual energy consumption will depend on how the television is used.*

All trademarks and registered trademarks acknowledged. E & O E. Specification subject to change without notice. All LCD's comply with ISO-9241-307:2008 in connection with pixel defects.

© Iiyama Corporation. All rights reserved