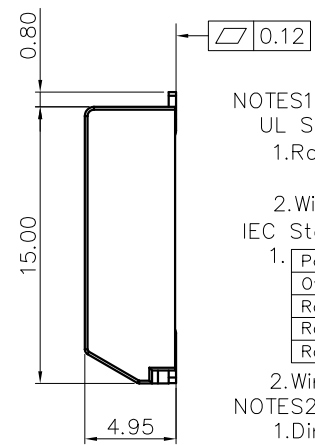
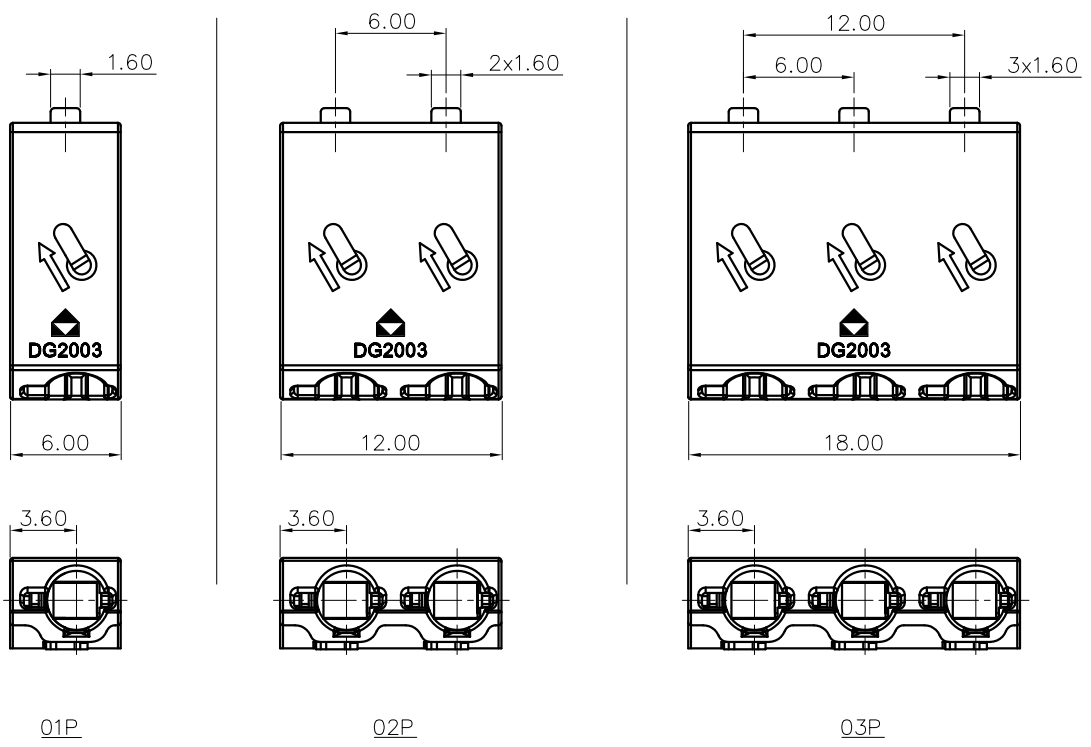


REVISION RECORD				
REV	ECN	DESCRIPTION	DRFT	DATE



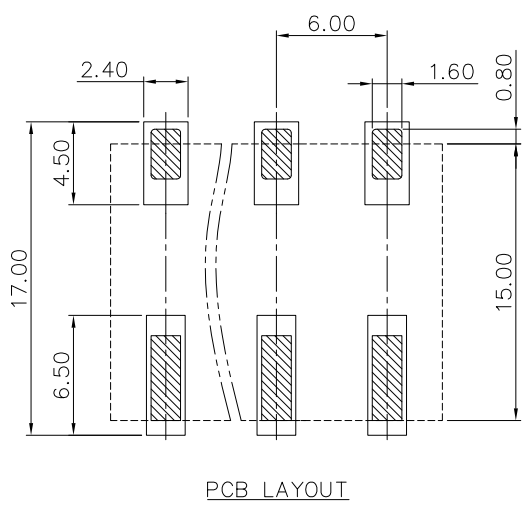
NOTES1:  
 UL Standard  
 1. Rated voltage/current : 600V / 10A(01P), 300V / 10A(02P/03P)  
 2. Wire range : 20~16AWG  
 IEC Standard  
 1.

Pollution degree	2	2	3
Overvoltage category	II	III	III
Rate impulse voltage(KV)	4.0KV	4.0KV	4.0KV
Rate voltage(V)	320V	200V	200V
Rate current(A)	17.5A		

2. Wire range : 0.5~1.5mm<sup>2</sup>  
 NOTES2:  
 1. Dimension shall be interpreted per ASME Y14.5-2009  
 2. Pitch : 6.00mm, Poles : N=01~03P  
 3. Stripping length : 9~11mm  
 4. Operating temperature: -40°C~+130°C  
 5. Undimensioned tolerances:

Pitch range in mm		Nominal dimension range in mm				Tolerances			
To	Over	To	Over	To	Over	0.1/10	Symbol		
6	6	10	30	60	100	150	±		
10	10	24	60	100	150	±			
24	24	30	60	100	150	±			
30	30	60	100	150	150	±			
60	60	100	150	150	150	±			
±0.15		±0.20	±0.30	±0.30	±0.50	±0.70	±1.00	±1.30	±2'

6. RoHS Compliance



DG2003 - 6.0 - XXP - 1Y - 01A (H)  
 (Series No.) (Pitch) (Poles) (Single Pitch) (Color): 1.(Grey) 3.(Black)  
 (RoHS)  
 01A-(Customer request)

DETACHED LISTS	PART NO.:	/			
	APPD:	/			
	CHKD:	/			
	DRFT:	/			
	THIRD ANGLE PROJECTION		DRAWING NO.:		/
		MM (INCH)		DO NOT SCALE DRAWING	
		TITLE: CUSTOMER DRAWING		REV	D0
		NAME: DG2003-6.0-XXP-1Y-01A(H)		SHEET	1/1
		NINGBO DEGSON ELECTRICAL CO., LTD		SCALE	1:1