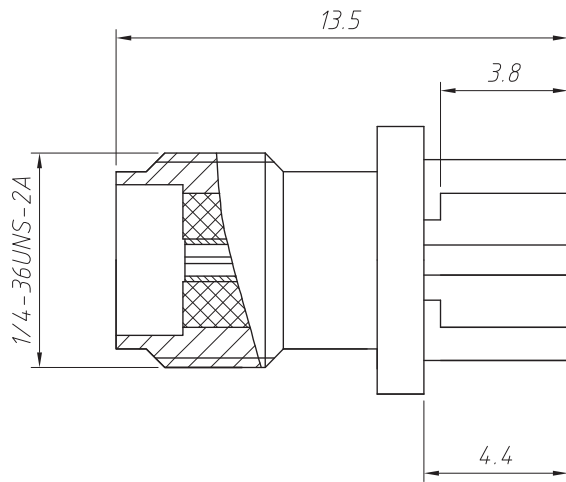
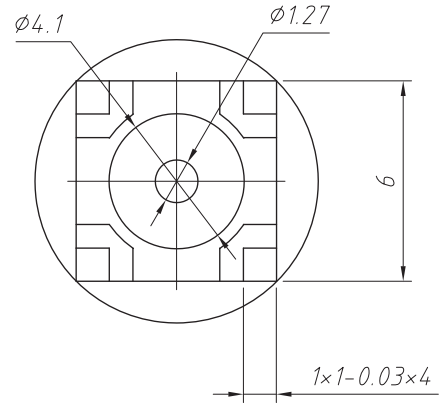


1  
RoHS Compliance



Specifications:  
 Impedance: 50 Ω  
 Material: Brass  
 Insulation material: Teflon  
 Durability: 500 Cycles Min



ANGLE TOLERANCE	PROJECTION	Description:	PCB Mount SMA Connector With Jack Female Straight Type
±3°			
GENERAL TOLERANCE	UNITS	mm	
x.x ±0.30	SHEET SIZE	A4	
x.xx ±0.20	Draw:	Daniel	2018-07-10
x.xxx ±0.10	Check:	Daniel	2018-07-10

**CONN THERM**