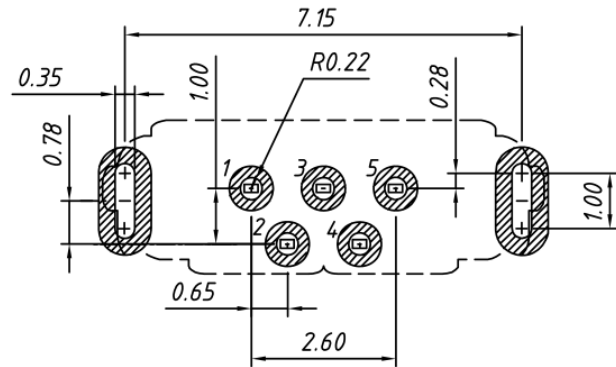
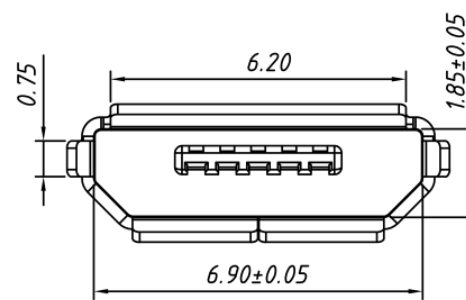


Material
 Housing: LCP, UL 94V-0, Black.
 Contact: Copper Alloy, Gold
 Contact Type: Stamped
 Shielding: Stainless Steel Matt Tin Plated.

Electrical:
 Current Rating: 1.8 A Pin 1 & Pin 5
 1.0 A Other Pins
 Voltage Rating: 30V DC
 Contact Resistance: 30mΩ Max.
 Withstanding Voltage: 100 Vac/Min.
 Insulation Resistance: 1000MΩ Min.
 Operating Temperature: -40°C Up To +85°C
 Compliance: Lead Free And Rohs



RECOMMENDED PCB LAYOUT
 THICKNESS : 1.0 mm



GENERAL TOLERANCE	PROJECTION		Description:
X. ±0.50	UNITS	mm	CONN RCPT 5POS MICRO USB Straight
.X ±0.25	SCALE	1:1	
.XX ±0.10	Draw by:	Jenny	
ANGLE TOLERANCE	Check by:		CONN THERM
X. ±5°	Date	2018-03-01	
.X ±3°	SHEET	1 OF 1	
.XX ±2°			