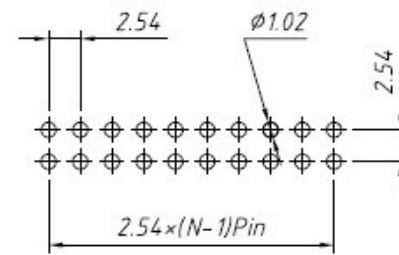
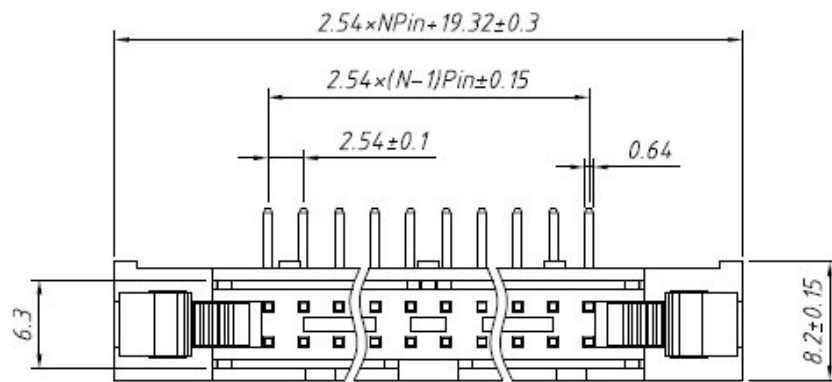


RoHS Compliance

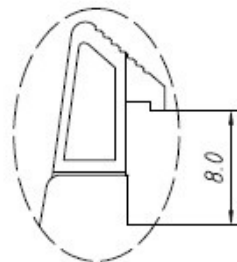
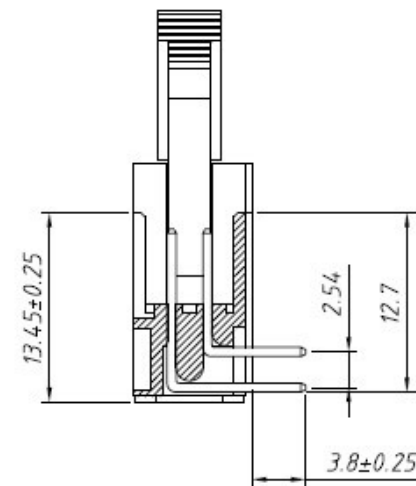
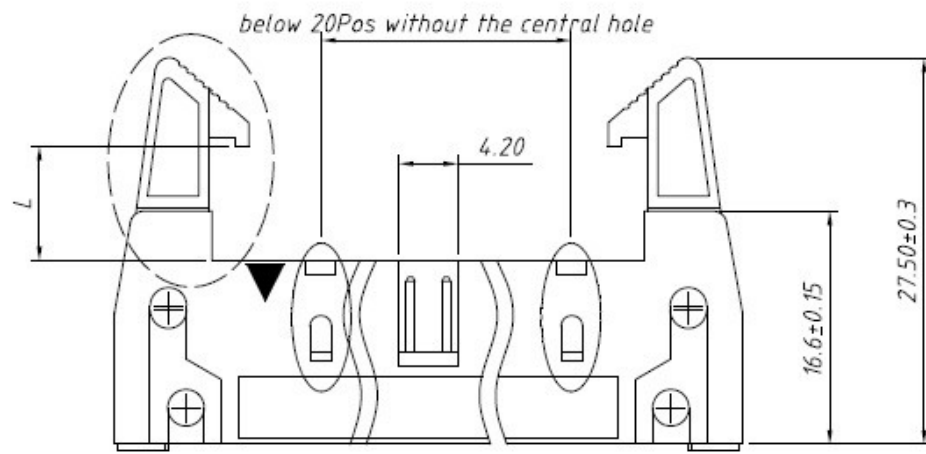


Material:
 Housing: PBT, UL 94 V-0
 Contact: Brass
 Plating: Gold plated 0.8u"

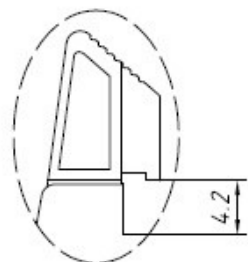
Electrical Characteristics:
 Rated Current: 3.0AMP
 Contact Resistance: 20mΩ Max
 Withstand Voltage: 1000V AC/DC
 Insulator Resistance: 1000MΩ Min

Mechanical
 Operating Temperature: -40°C ~ +105°C
 Max. Processing Temp: 180°C for 30-60 seconds (200°C for 10 seconds)

Recommended P.C.B Layout (Top Side)
 (PCB BOARD TOLERANCE ±0.05)



NONE=Long Latch



S=Short Latch

ANGLE TOLERANCE	PROJECTION	Description:	2.54mm Pitch Box Header Connector With Latch
±3°			
GENERAL TOLERANCE	UNITS	mm	CONN THERM
x.x ±0.30	SHEET SIZE	A4	
x.xx ±0.20	Draw:	Daniel 2018-07-10	
x.xxx ±0.10	Check:	Daniel 2018-07-10	