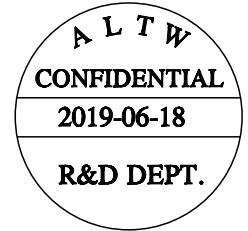
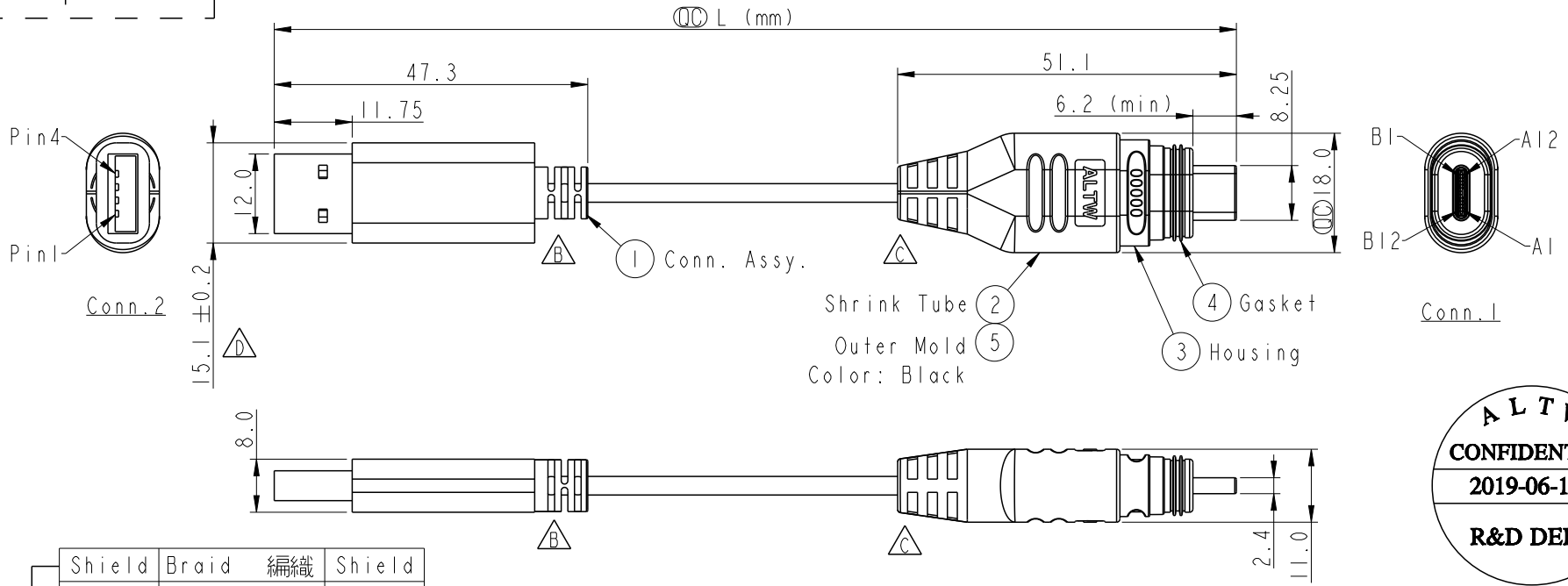
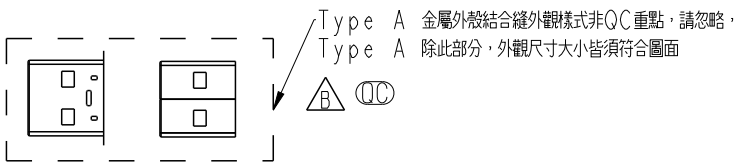


THIS DOCUMENT IS SUBJECT TO CHANGE WITHOUT NOTICE. IT IS CONFIDENTIAL AND A PROPERTY OF Amphenol LTW. DISCLOSURE TO THIRD PARTY HAS TO BE AUTHORIZED BY Amphenol LTW.

REV.	ECN NO.	DATE	SIGN	DESCRIPTION
C	LEN1781131	2018/08/15	Neo	Change SR in Conn.1
D	C190355	2019/03/13	Justin	Change Molding size in Conn.1
E	C190990	2019/06/18	Allen	Add 4M & 5M



Shield	Braid	編織	Shield		
4	Black	黑	B12		
			B1		
			A12		
			A1		
3	Green	綠	A6		
			A7		
2	White	白	B9		
			B4		
1	Red	紅	A9		
			A4		
			Conn.2	Wire Color	Conn.1
			Pin Out		

Part Number: UC-20AMM-QA8AXX

Cable length--XX: 01~05 Meters
 01: 1 Meter
 02: 2 Meters
 03: 3 Meters
 ④ 04: 4 Meters
 ④ 05: 5 Meters

Cable Length tolerance: 1~3M±50mm
 ④ 4~5M±80mm

- Note:
- * ① Important Dimension
 - * Conn.1: USB Type C, Plug
 - * Housing: PP, UL94 V-0, Black
 - * Gasket: Silicone, Black ④
 - * Waterproof Rate: IP68(Mated)(under water, 1M, 24H)
 - * Conn.2: USB Type A 2.0, Plug
 - * Non-waterproof
 - * Cable: UL2725 32AWG*2C+24AWG*1C+28AWG*1C+D+A1/My+B PVC Jacket, OD=2.8mm, Black

UNIT:mm TOLERANCE ±0.5	TITLE USB TYPE C TO USB 2.0 TYPE A PLUG			Amphenol LTW 安費諾亮泰企業股份有限公司	ITEM NO	DRAWN BY Allen	DATE 2019/06/18
	SCALE 1:1	SIZE A4	SHEET 1 OF 1		DWG NO UC-20AMM-QA8AXX	CHECKED BY Jane	DATE 2019/06/18
	REV. E	WC-REV. A.15	① Inspection item		CUSTOMER ALTW	APPROVED BY Neo	DATE 2019/06/18