

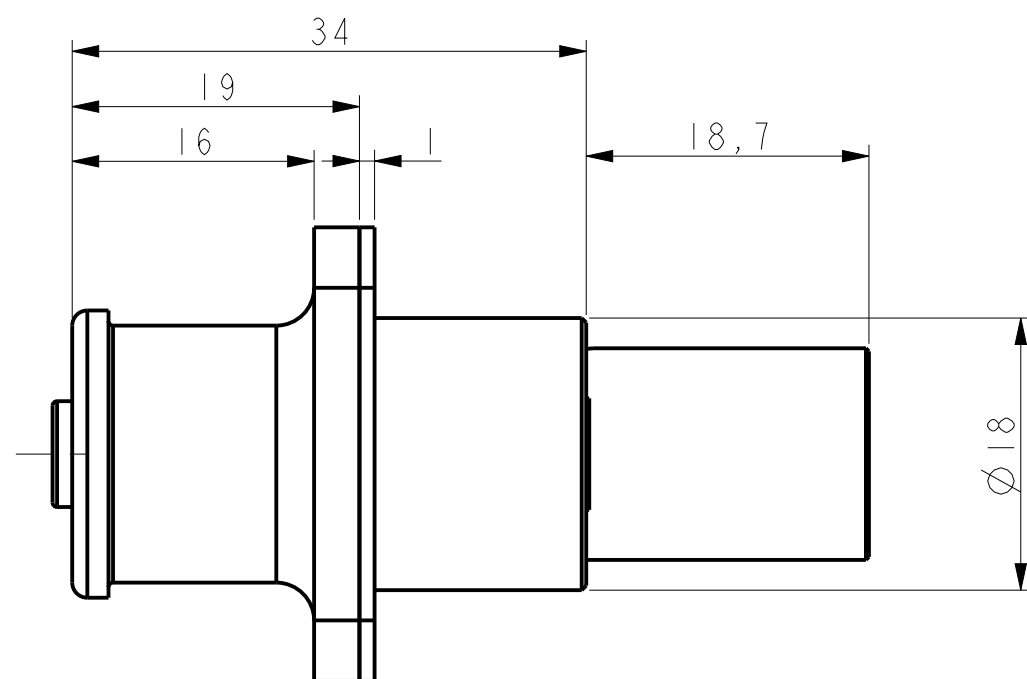
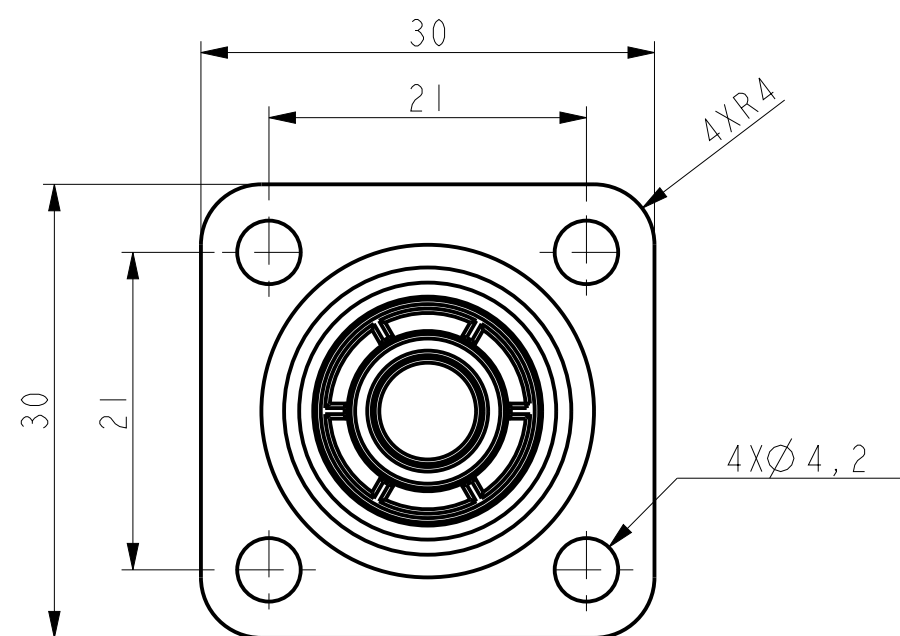
GENERAL TOLERANCE

DIM. RANGE	0.5 - 3	> 3 - 6	> 6 - 30	> 30 - 120	> 120 - 400
TOLERANCE	±0.1	±0.1	±0.2	±0.3	±0.5

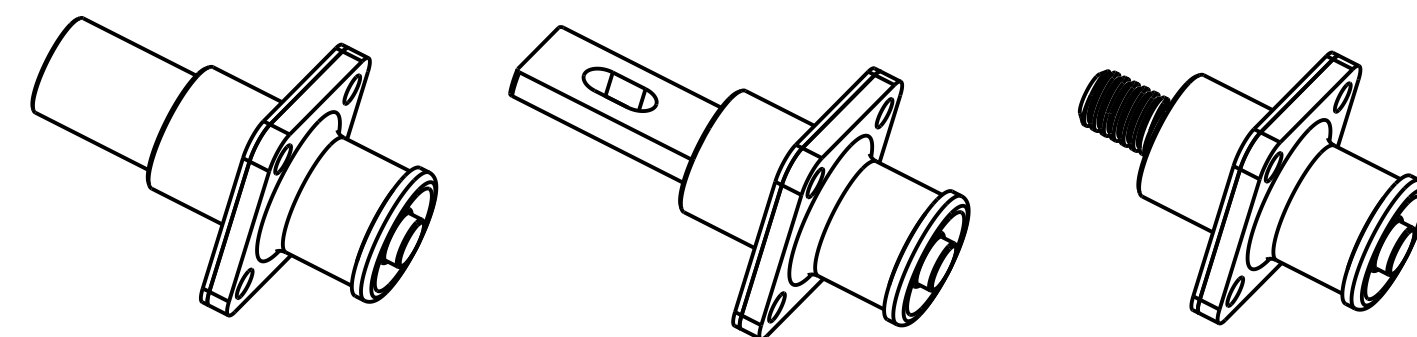
CUSTOMER DRAWING



REV	DESCRIPTION	DATE
A	INITIAL RELEASE	2015-01-10
C	MODIFY DIMENSION ADD CODE NUMBER	2016-03-18
D	ADD CODE NUMBER ADD DIMENSION	2016-06-01



CRIMPING TYPE

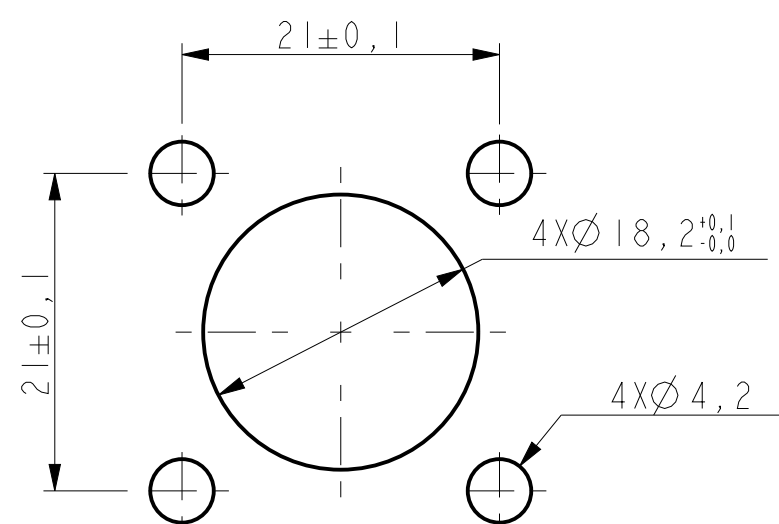


MFG PART NUMBER: C10-730189-() () ()

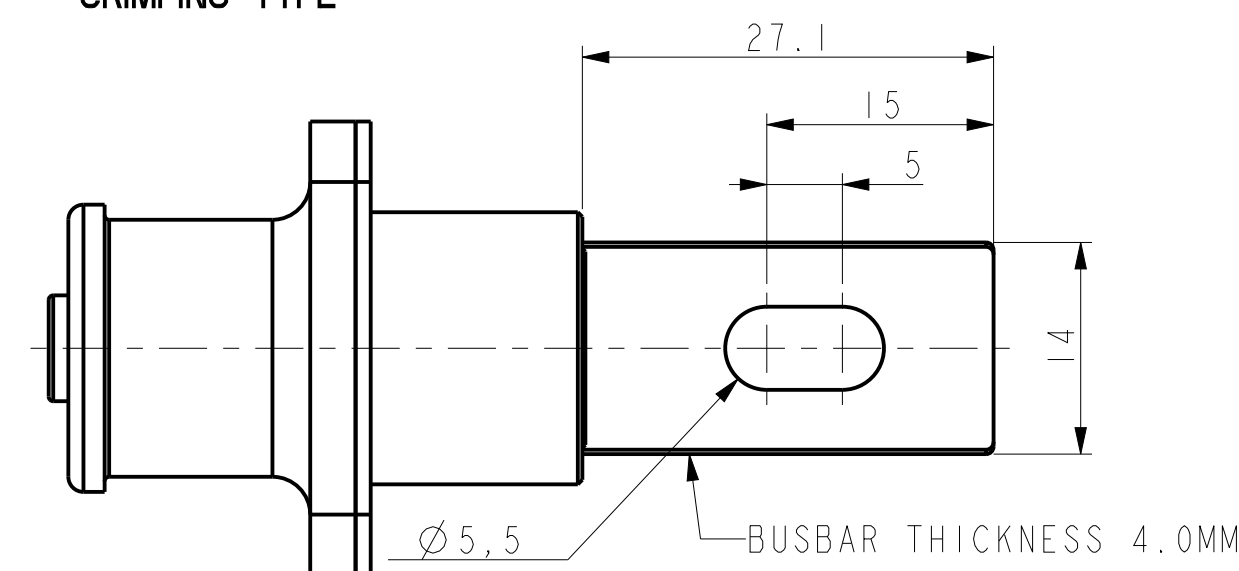
BASE NUMBER
COLOR, SEE TABLE
PIN TYPE, SEE TABLE
SEALING, SEE TABLE

CODE NUMBER REFERENCE: SLPRB () P () ()

BASE NUMBER
PIN TYPE, SEE TABLE
PANEL MOUNT
SEALING, SEE TABLE
COLOR, SEE TABLE

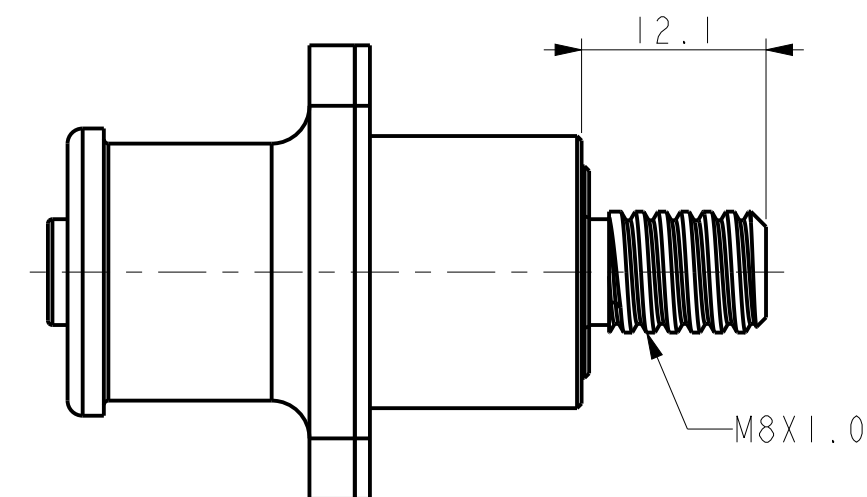


RECOMMENDED PANEL CUT OUT



BUSBAR TYPE

SPECIFICATIONS	
CURRENT RATING	200 Amps MAX
OPERATING VOLTAGE	1000V DC
OPERATING TEMPERATURE	-40°C - 105°C
CONTACT RESISTANCE	0.3 mΩ



SCREW TYPE

ITEM	DESCRIPTION	CODE NUMBER	MFG NUMBER
COLOR	ORANGE	O	0
	BLACK	B	1
	RED	R	2
PIN TYPE	50 MM2 CRIMPING	50C	0
	35 MM2 CRIMPING	35C	3
	BUSBAR	B	1
	SCREW	T	2
SEALING	IP67(MATED)	S	0
	NO SEALING	N	1

2. IF CHOOSE NO SEALING TYPE, THERE WILL BE NO O-RINGS AND GASKET.

1. THE REFERENCED PRODUCT IS IN COMPLIANCE WITH THE MAXIMUM CONCENTRATION VALUES (MCVS) AS SET BY RoHS 2.0 DIRECTIVE 2011/65/EU AND ANNEX II AMENDMENT DIRECTIVE (EU)2015/863.

NOTES:

THIS DOCUMENT CONTAINS PROPRIETARY INFORMATION AND SUCH INFORMATION MAY NOT BE DISCLOSED TO OTHERS FOR ANY PURPOSE OR USED FOR MANUFACTURING PURPOSES WITHOUT WRITTEN PERMISSION FROM THE AMPHENOL CORP.

N/A	PRO/ENGINEER INFORMATION
NEXT ASSEMBLY	Pro/e Model Used:
<b>METRIC DOCUMENT</b>	Drawing Name:

UNLESS OTHERWISE SPECIFIED	SPECIFICATIONS	POS	QTY	PART NUMBER	DESCRIPTION	NOTE
LINEAR DIMENSIONS ARE IN: <b>MILLIMETERS</b> TOLERANCES: ANGLES= ±2° DEFAULT LINEAR TOLERANCES SEE TABLE	MATERIAL SPEC. N/A	APPROVALS		DATE	PARTS LIST	
DIM. & TOL. PER ASME Y14.5M-1994; DRM PER MIL-DTL-31000; OTHER AMPHENOL STANDARDS: 9-9318	PROCESS SPEC. N/A	PREPARED BY	SEVEN XIE	18-Mar-16	<b>AMPHENOL INDUSTRIAL OPERATIONS</b> Amphenol Technology(Zhuhai)Co.,Ltd No.63, Xinghan Road, Sanzao Town, Jinwan, Zhuhai, PRC	
LEGENDS: △ = FLAG NOTE CALL OUT REFERENCE ONLY		ENGINEER IN CHARGE	ROB WENG		<b>R4 8.0MM SURLOK PLUS RECEPTACLE</b>	
		DESIGN MANAGER	DERIC LI		SIZE	DOCUMENT NO.
		DESIGN ACTIVITY GROUP	C&I		C	10-730189-()
		THIRD ANGLE PROJECTION			CAGE CODE	REV.
					77820	D
					SCALE: 1,0	SHEET 1 OF 1

10-730189-() SHEET 1 OF 1 REV. D

10-730189-() SHEET 1 OF 1 REV. D