

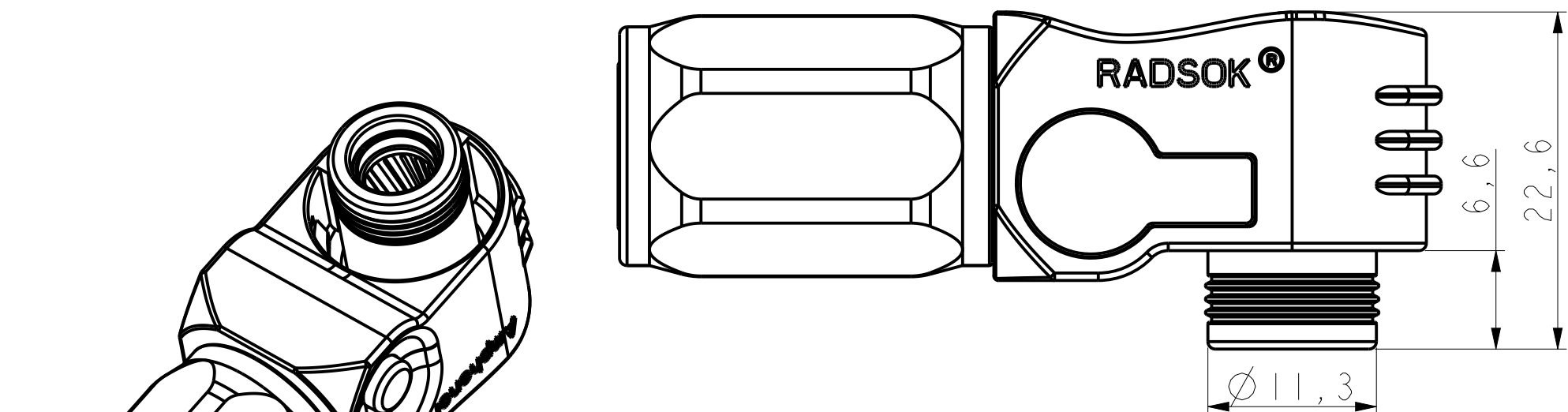
GENERAL TOLERANCE

DIM. RANGE	0.5 ~ 3	> 3 ~ 6	> 6 ~ 30	> 30 ~ 120	> 120 ~ 400
TOLERANCE	±0.1	±0.1	±0.2	±0.3	±0.5

CUSTOMER DRAWING



REV	DESCRIPTION	DATE
A	INITIAL RELEASE	2014-12-19
B	ADD CODE LOGIC	2015-06-11
C	ADD NOTE 3	2015-06-18
D	ADD KEYWAY DESIGN ADD CODE NUMBER	2016-03-28

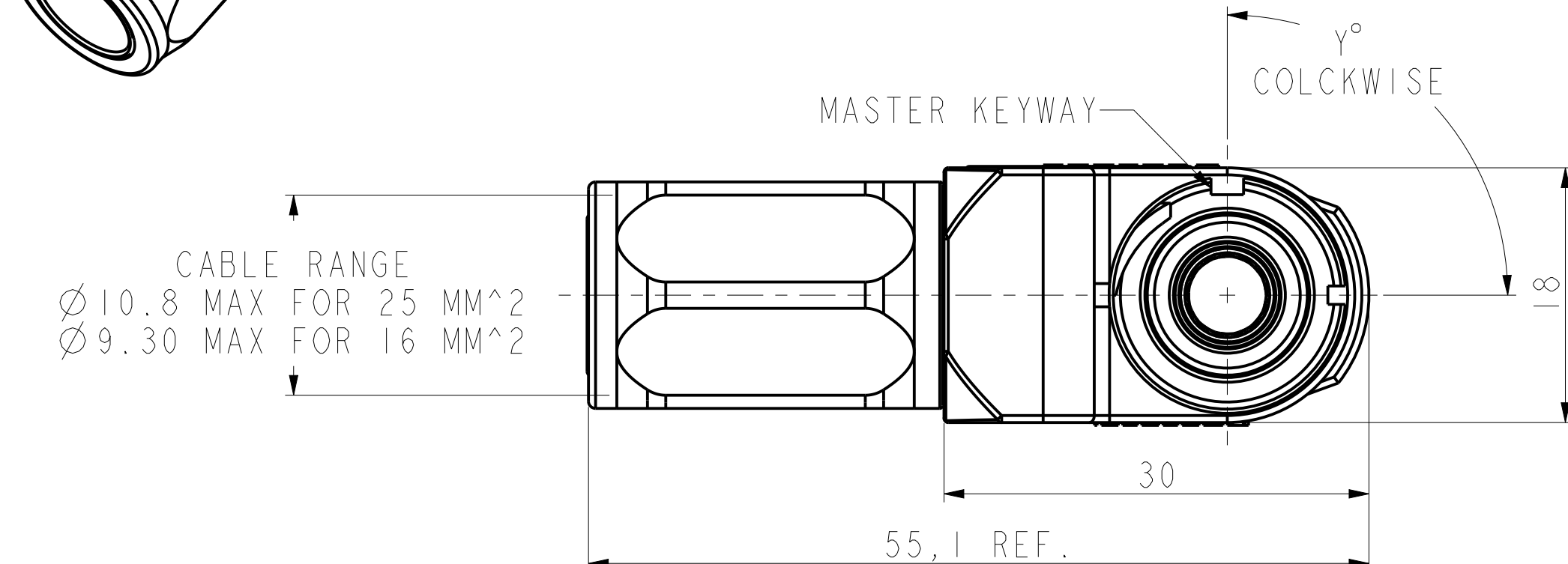


MFG PART NUMBER: C10-730186- () () () ()

BASE NUMBER
 COLOR, SEE TABLE
 WIRE RANGE, SEE TABLE
 SEALING, SEE TABLE
 KEYWAY, SEE TABLE

CODE NUMBER REFERENCE: SLPPA () B () () ()

BASE NUMBER
 WIRE RANGE, SEE TABLE
 WITH BACKSHELL
 SEALING, SEE TABLE
 COLOR, SEE TABLE
 KEYWAY, SEE TABLE



ITEM	DESCRIPTION	CODE NUMBER	MFG NUMBER
COLOR	ORANGE	O	0
	BLACK	B	1
	RED	R	2
WIRE RANGE	25 MM2 CRIMPING	25	0
	16 MM2 CRIMPING	16	3
SEALING	IP67(MATED)	S	0
	NO SEALING	N	1
KEYWAY (Y°)	NO KEYWAY	BLANK	BLANK
	90°	0	0
	180°	1	1
	60°	2	2
	120°	3	3
	150°	4	4

SPECIFICATIONS	
CURRENT RATING	120 Amps MAX
OPERATING VOLTAGE	1000V DC
OPERATING TEMPERATURE	-40°C-105°C
PROTECTION CLASS	IP67 (MATED)
PROTECTION	TOUCH PROOF

- FOR ORDERING INFORMATION, PLEASE SEE CODE NUMBER AND TABLE.
- IF CHOOSE NO SEALING TYPE, THERE WILL BE NO O-RINGS AND GROMMET.
- 16MM2 WIRE CRIMP PLUG USES THE SAME CRIMP DIE AS 25MM2, SUPPLIED WITH APRE-ASSEMBLED CRIMP REDUCER.
- THE REFERENCED PRODUCT MEETS COMPLIANCE TO THE MAXIMUM CONTRADICTION VALUES(MCVS) SET FORTH IN THE 2009/125/EC AMENDMENT TO 2011/65/EU RoHS DIRECTIVE.

NOTES:

THIS DOCUMENT CONTAINS PROPRIETARY INFORMATION AND SUCH INFORMATION MAY NOT BE DISCLOSED TO OTHERS FOR ANY PURPOSE OR USED FOR MANUFACTURING PURPOSES WITHOUT WRITTEN PERMISSION FROM THE AMPHENOL CORP.

DOCUMENT NO. 10-730186-() SHEET 1 OF 1 REV. D

N/A

PRO/ENGINEER INFORMATION
 Pro/e Model Used:
 10-730186-.00.ASSEM
 Drawing Name:
 10-730186.CUS

METRIC DOCUMENT

UNLESS OTHERWISE SPECIFIED

LINER DIMENSIONS ARE IN: **MILLIMETERS**
 TOLERANCES:
 ANGLES= ±2°
 DEFAULT LINEAR TOLERANCES SEE TABLE

DIM. & TOL. PER ASME Y14.5M-1994;
 DRM PER MIL-DTL-31000;
 OTHER AMPHENOL STANDARDS: 9-9318

LEGENDS:
 =FLAG NOTE CALL OUT REFERENCE ONLY

POS	QTY	PART NUMBER	DESCRIPTION	NOTE
APPROVALS				
PREPARED BY	SEVEN XIE	DATE		
ENGINEER IN CHARGE	ROB WENG	10-Mar-16		
DESIGN MANAGER	DERIC LI			
DESIGN ACTIVITY GROUP	C&I			
THIRD ANGLE PROJECTION				

AMPHENOL INDUSTRIAL OPERATIONS
 Amphenol Technology(Zhuhai)Co.,Ltd
 No.63, Xinghan Road, Sanzao Town, Jinwan, Zhuhai, PRC

5.7MM SURLOK PLUS RIGHTANGLE PLUG

SIZE	CAGE CODE	DOCUMENT NO.	REV.
C	77820	C10-730186- ()	D

SCALE: 1,0 REF. SHEET 1 OF 1

10-730186-() SHEET 1 OF 1 REV. D

10-730186-() SHEET 1 OF 1 REV. D