

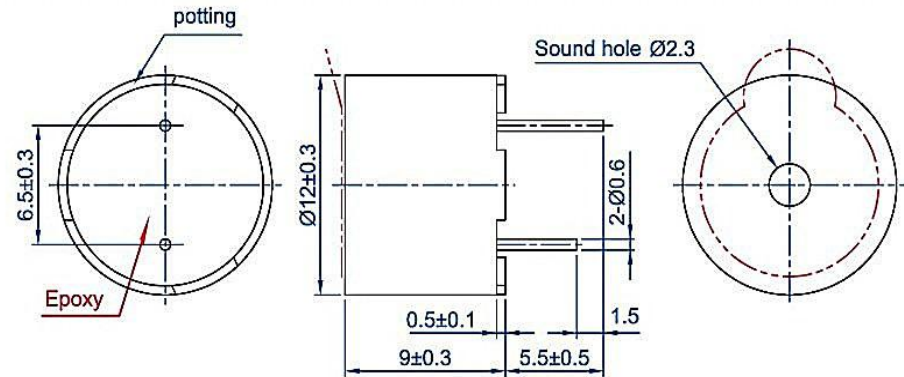
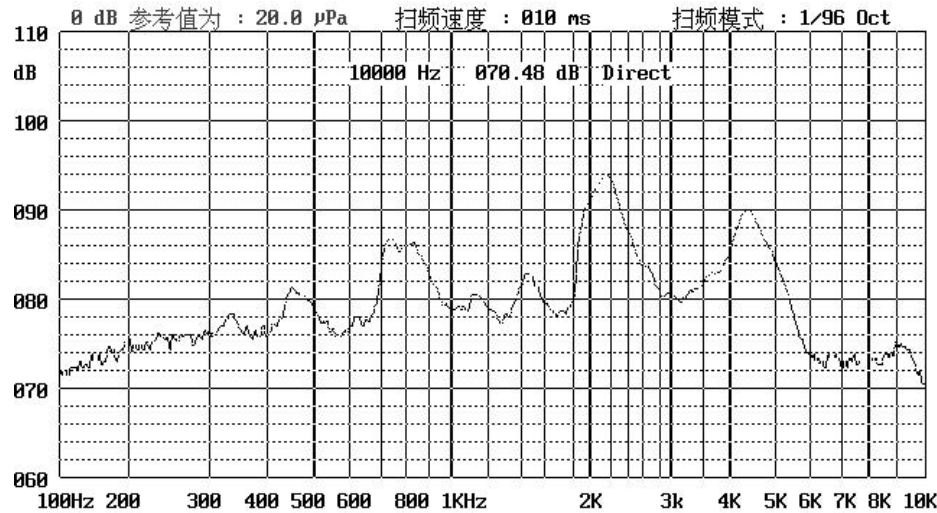
SPECIFICATION

1	Model No.	CFD06-E
2	Rated Voltage (VDC)	5V
3	*Current Consumption (mA)	≤40
4	S.P.L.:	≧ 90dB
5	Fo:	2400hz
6	Weight (g)	2
7	Operating Temperature (°C)	-20~+70
8	Cone Material:	PPO



REVISION HISTORY

LTR	DESCRIPTION	DATE	APPROVED
-	RELEASED FROM ENGINEERING	09/28/2017	Y M
A			
B			
C			



NOTES:

1. ALL DIMENSIONS ARE IN MILLIMETERS
2. SPECIFICATIONS SUBJECT TO CHANGE WITHOUT NOTICE
3. WATERPROOF

UNLESS OTHERWISE SPECIFIED. DIMENSIONS ARE IN MILLIMETERS TOLERANCES ARE +/-0.5 AND ANGLES ARE +/-3°	SIZE	Designed by	Date	Checked by	Date	Approved by	Date	Drawed date
	A4			<p style="text-align: center; font-size: 24px; font-weight: bold;">CFD06-E</p>			THT BUZZER	Edition
CFD06-E								