

The background is a dark teal color with a pattern of lighter teal diagonal lines and several large, semi-transparent teal circles of varying sizes scattered across the page.

Optics
Shinland

Each Ray is brighter in Shinland

SL-RF-AE-150A

Details

Material:	PC
Process:	Vacuum Aluminum Plating
Diameter:	150 × 30 × 21.15mm
ROSH Compliant:	YES
Status:	Ready

Optical Properties

Code	Typ. Angle	Typ. efficiency
SL-RF-AE-150A-S	15°	88%
SL-RF-AE-150A-M	24°	88%
SL-RF-AE-150A-F	34°	88%
SL-RF-AE-150A-W	48°	88%
SL-RF-AE-150A-FW	Flood 60°	88%
SL-RF-AE-150A-RWWL	Square 55° × 55°	85%
SL-RF-AE-150A-RFL	Rectangular 40° × 65°	85%
SL-RF-AE-150A-WW	Wallwasher	70%

Photo



Matched LED type

XP-G2/3

XP-E2

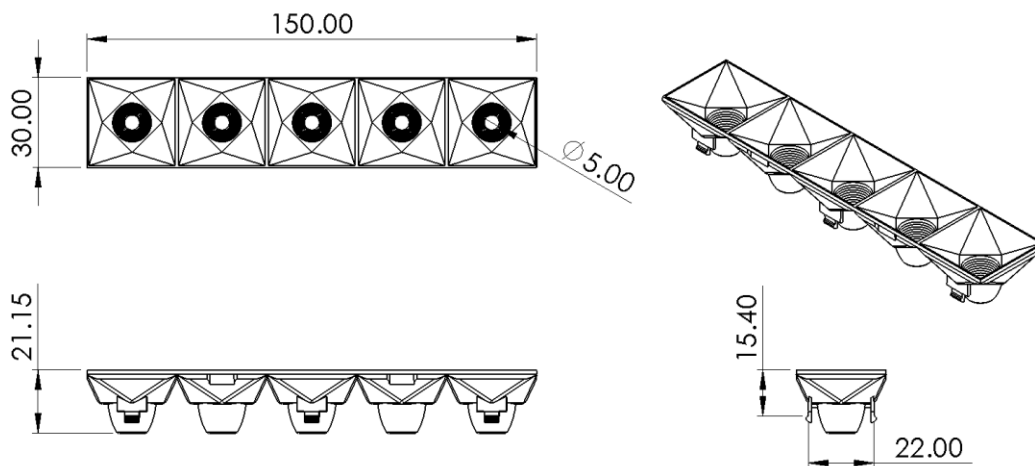
SST-20-WTH

Oslon

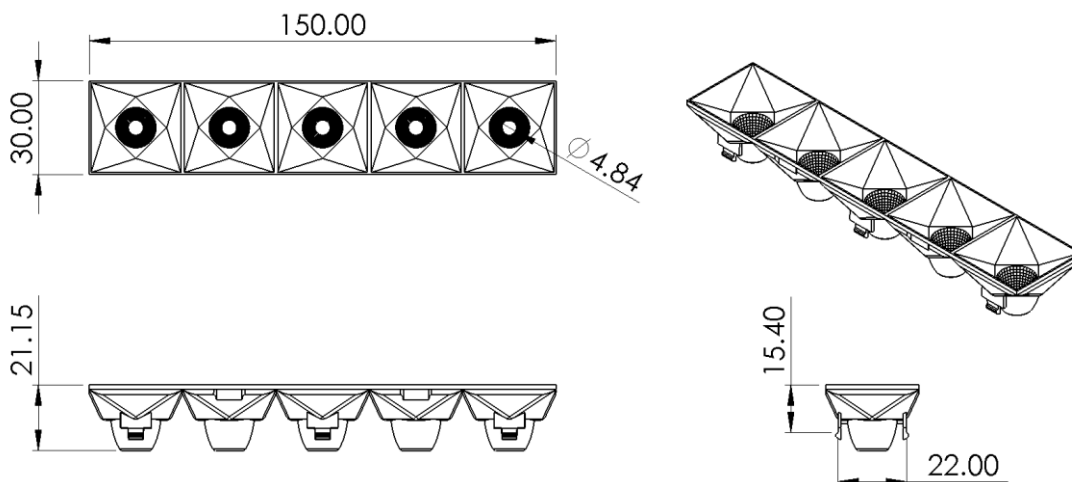
Dimensional Figure

Measure Unit : mm

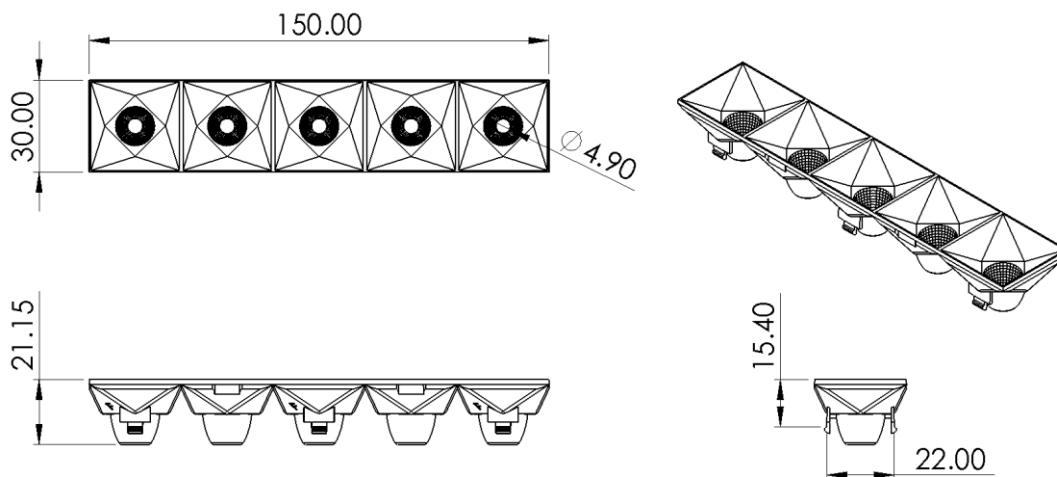
SL-RF-AE-150A-S



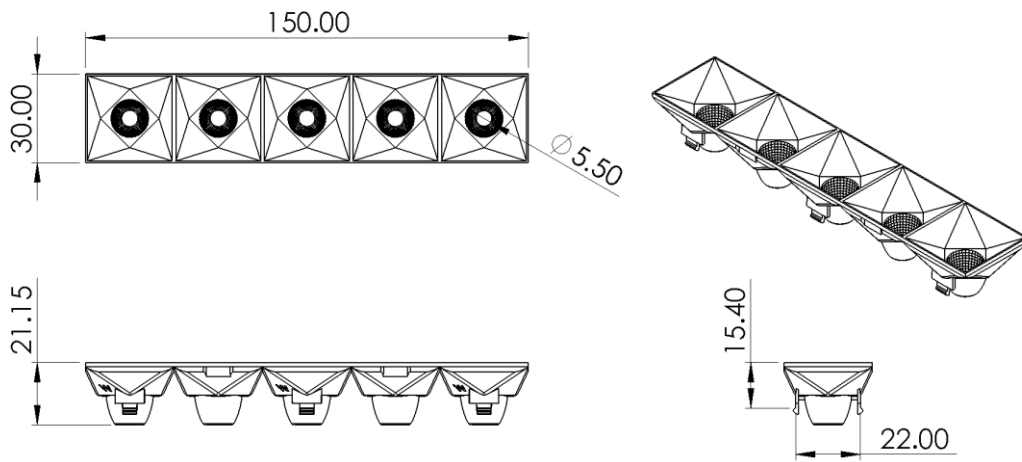
SL-RF-AE-150A-M



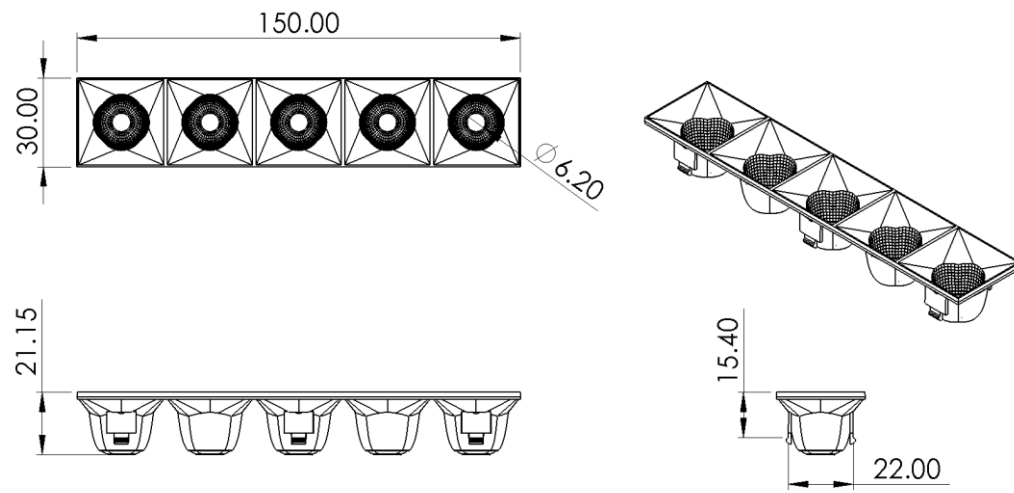
SL-RF-AE-150A-F



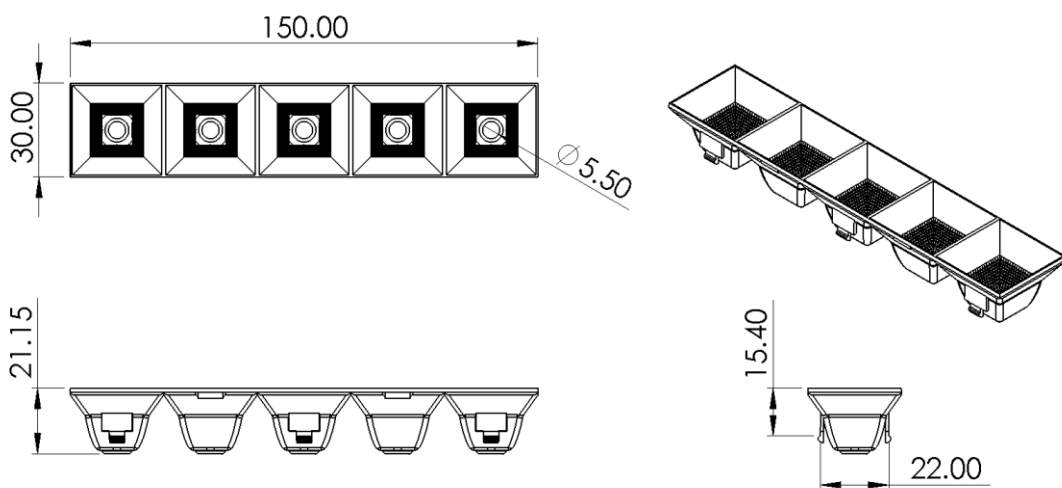
SL-RF-AE-150A-W



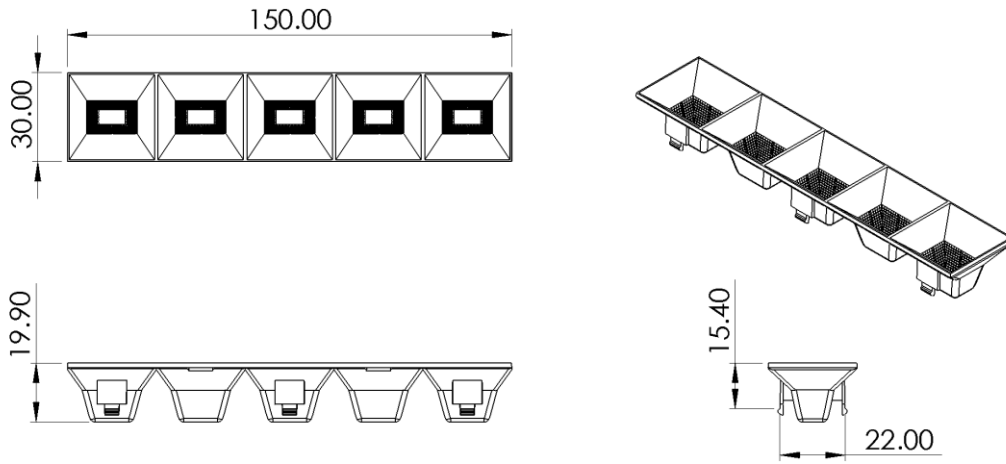
SL-RF-AE-150A-FW



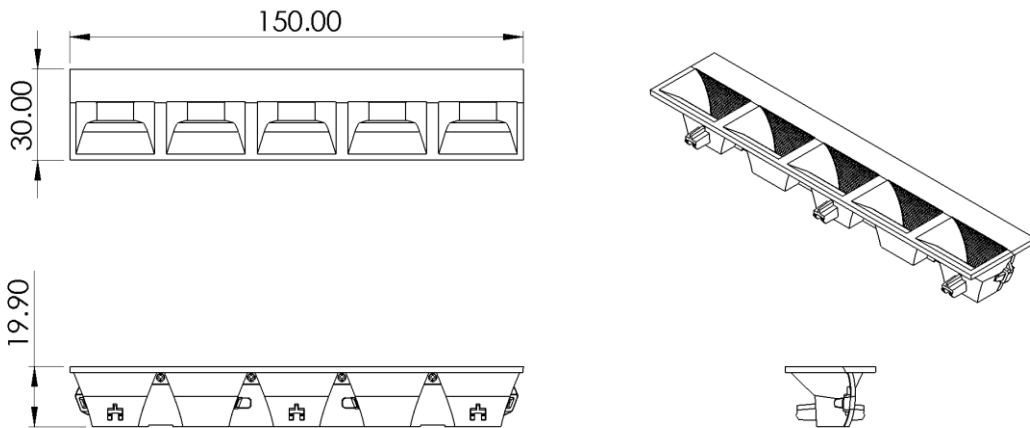
SL-RF-AE-150A-RWW



SL-RF-AE-150A-RFL

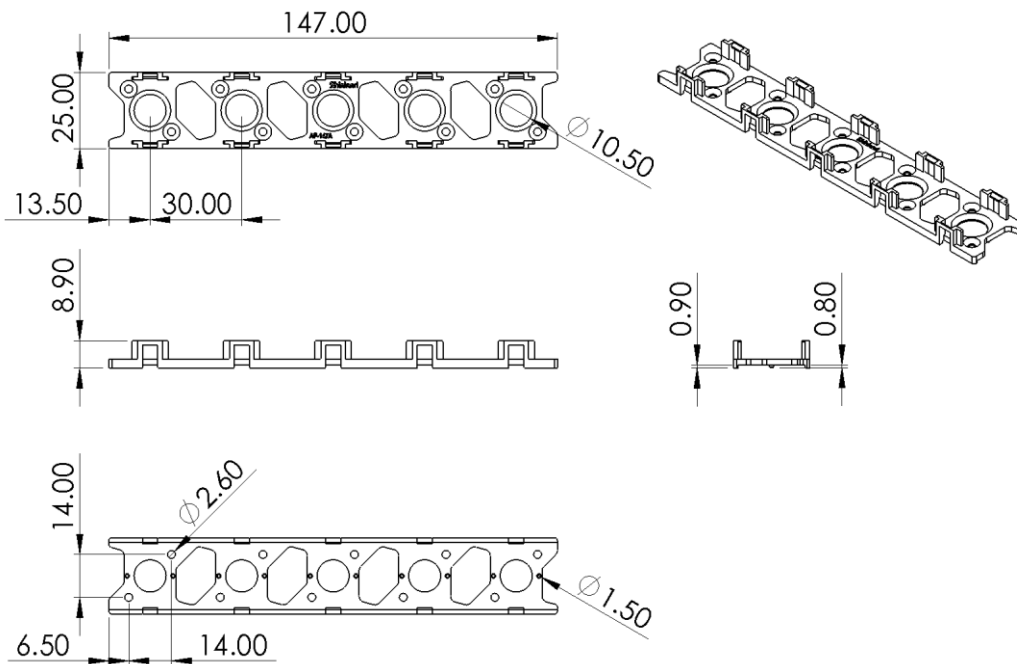


SL-RF-AE-150A-WW



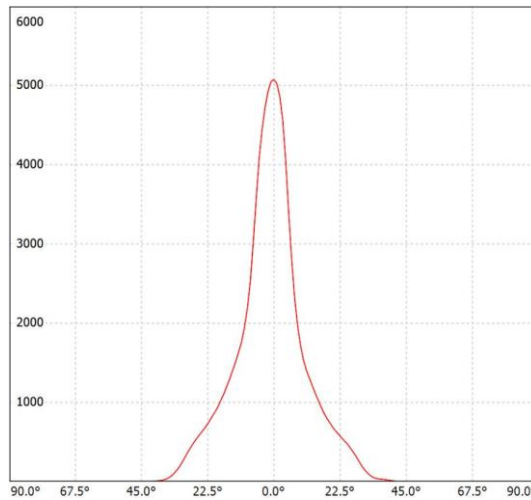
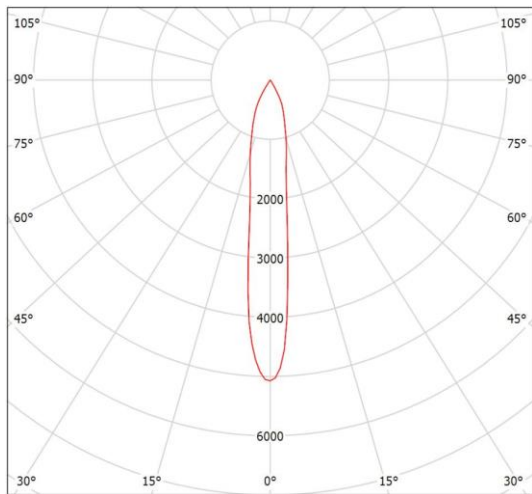
Holder structure

SL-HD-AF-147A

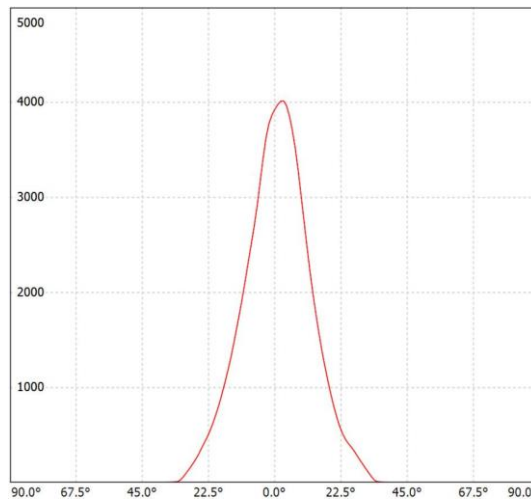
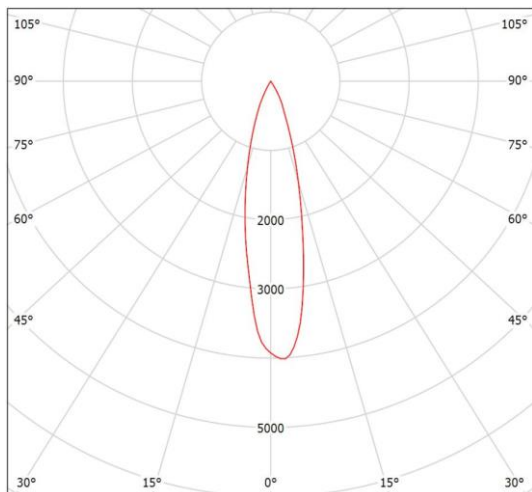


Distribution Curve Flux

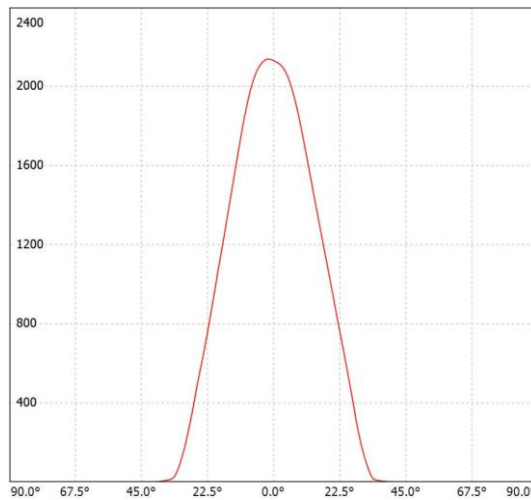
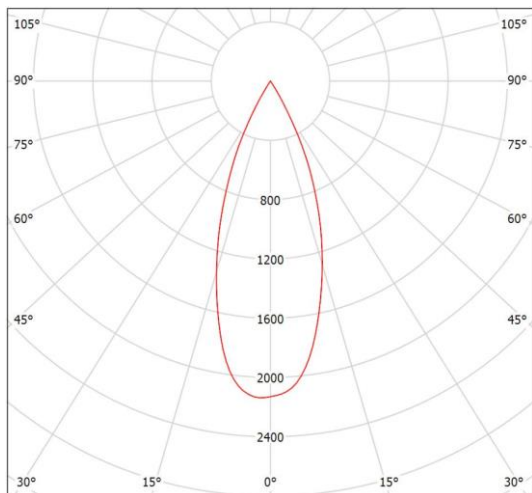
SL-RF-AE-150A-S



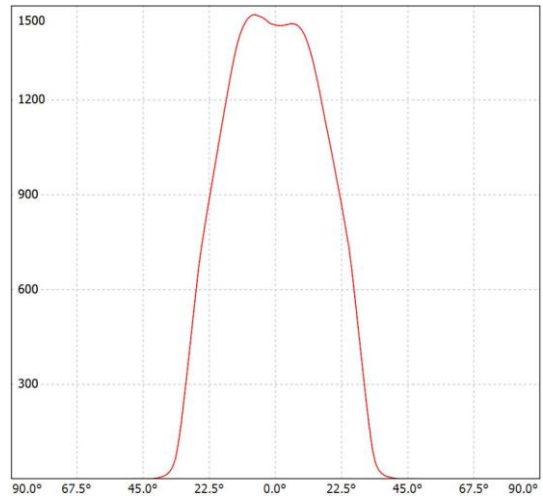
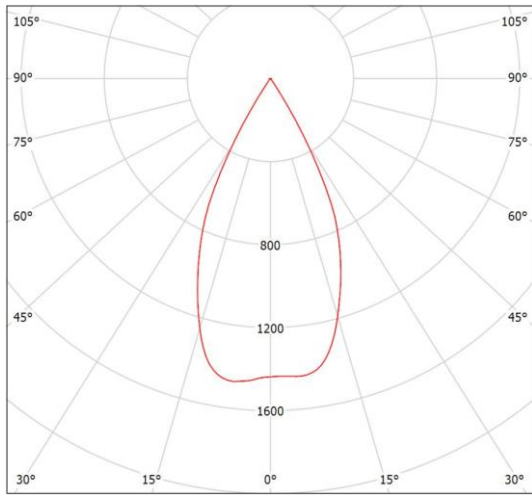
SL-RF-AE-150A-M



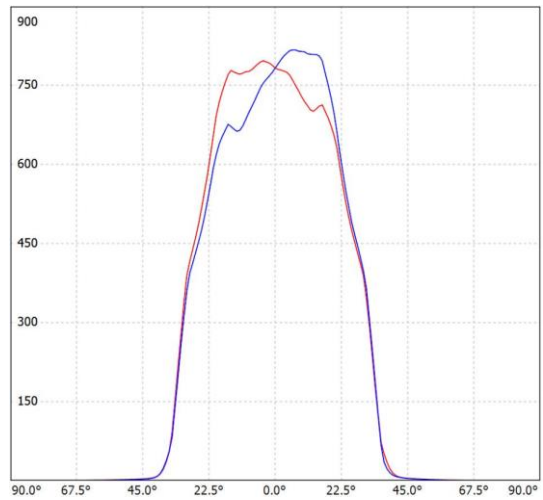
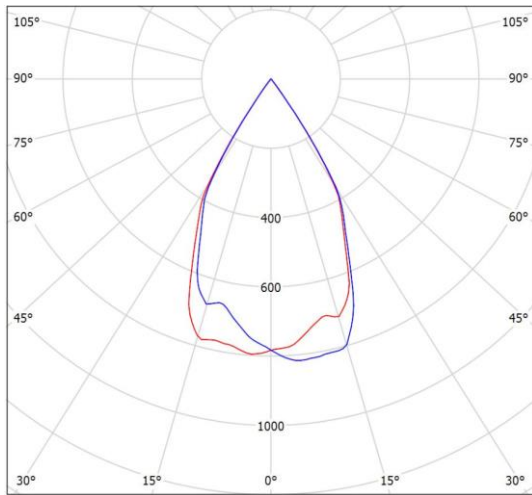
SL-RF-AE-150A-F



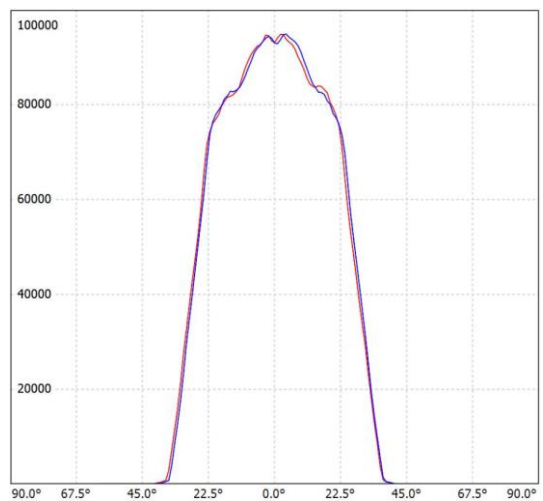
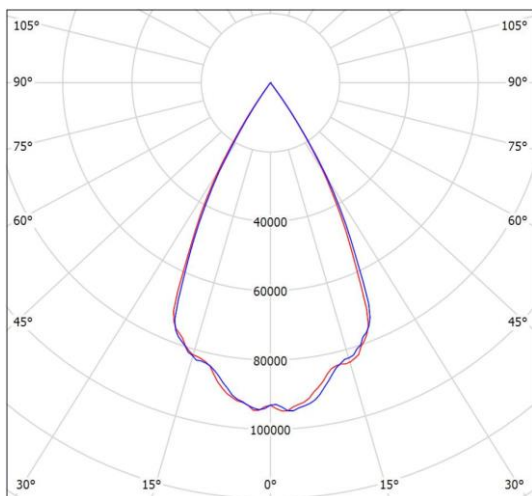
SL-RF-AE-150A-W



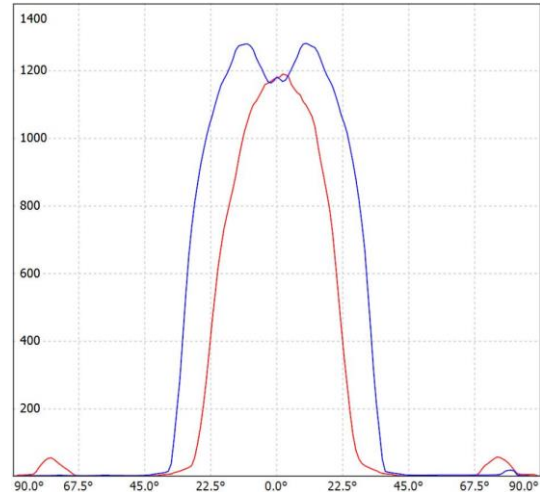
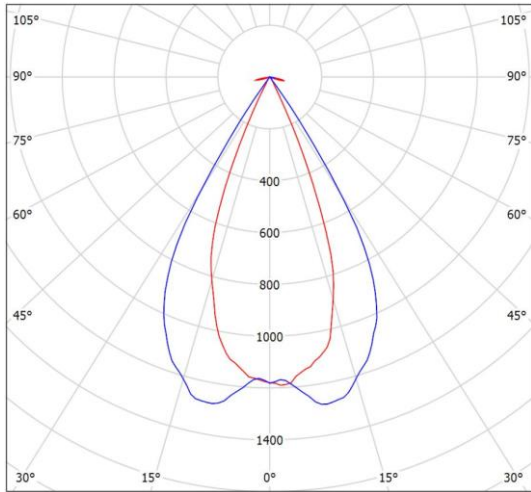
SL-RF-AE-150A-FW



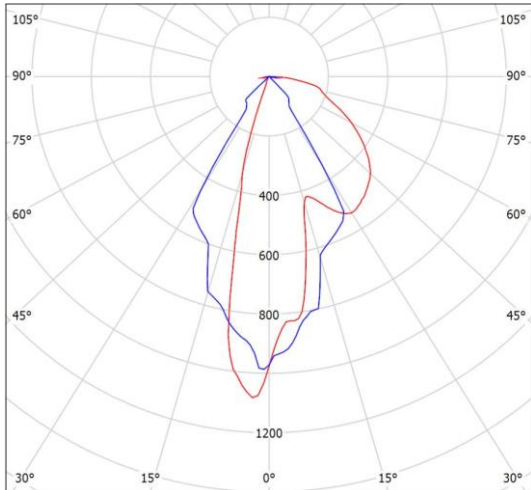
SL-RF-AE-150A-RWW



SL-RF-AE-150A-RFL



SL-RF-AE-150A-WW



Notes

- It is not allowed to scrub the reflective surface. If there is dust on the surface, please clean by soft cotton with little water.
- It is forbidden to clean with industrial solvent such as ethanol.
- Storage temperature: 0°C-40°C, and humidity:30%-95%.
- Recommended operating temperature (PC) is <100°C.
- Keep reflectors in package to void the dust.
- Prohibit the reflector touch with acid or alkaline solvent.

About Shinland

Shenzhen Shinland Co. Ltd, one of the longest and most professional company in reflector field, have years experience. Different from other factory which only have simple process, all aspects included R&D, making mold, mass production and

market support are achieved by our exclusive resources.

Insisting on “Quality First, Service First” and pragmatic, enterprising spirit, building the market by quality, casting our brand by credibility and integrity, Shinland now become the leading supplier of second-optical solution in China.