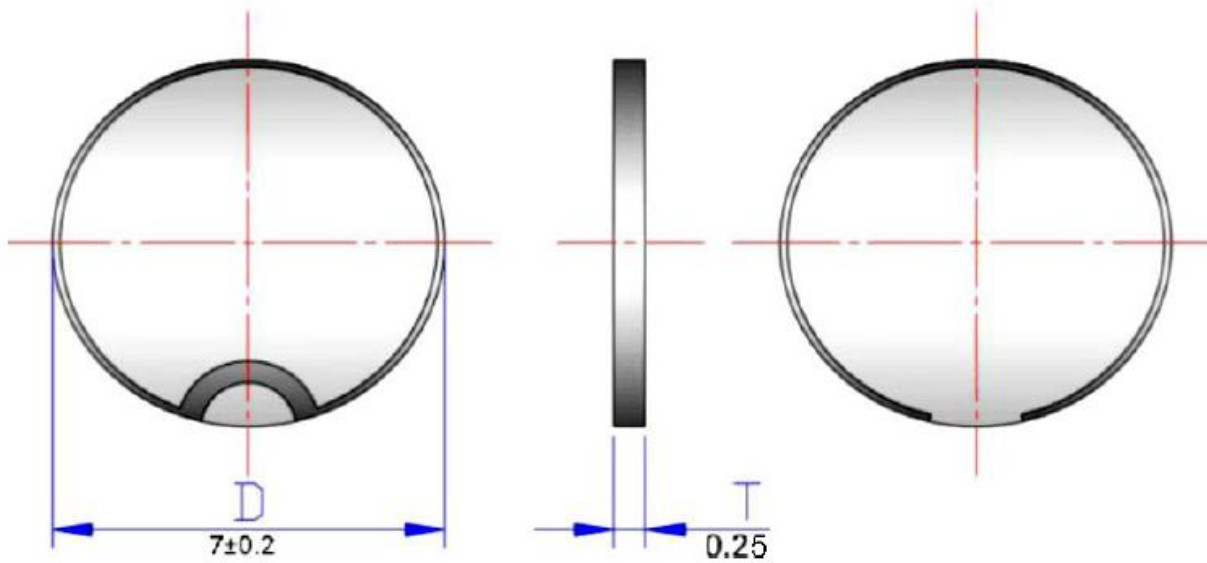


SPECIFICATION		
1	Model No.	USPD-7X0.25BY
2	Resonance Frequency:	300±10KHz
3	Resonant Impedance:	≤5Ω
4	Electrostatic Capacity :	900±20%pF
5	Operating Temperature:	-20~+70°C
6	Storage Temperature:	-20~+80°C
7	Piezoelectric Constant:	≥400pC/N
8	Ceramic plate diameter :	7±0.2mm
9	Ceramic plate Thickness :	0.25mm

REVISION HISTORY			
LTR	DESCRIPTION	DATE	APPROVED
-	RELEASED FROM ENGINEERING	2/20/2020	Y M
A			
C			
B			



- 1.ALL DIMENSIONS ARE IN MILLIMETERS
- 2.SPECIFICATIONS SUBJECT TO CHANGE WITHOUT NOTICE