



Product Specifications

Customer	
Model	NTM104 V011



Records of Revision			
Vision	Modifying	Old Description	New Description
v1711.1	Preliminary specifications		
v1711.2	Final specifications		
v1711.3	Format Updated		
v1711.4	1. Add Antibacterial Film Option 2. Add Color Options		

Features

- ★ 10.4" 1024x768 Resolution
- ★ MVA, Viewing Angle 176°/176°
- ★ Wide Operating Temperature (-30~70°C)
- ★ Resistive/Capacitive Touch Options
- ★ Metal Cabinet with Diverse Combine Options
- ★ Made in Taiwan, 3 Years Warranty
- ★ Designed for Harsh Environments
- ★ Optional High Brightness/Sunlight Readable
- ★ Optional AG/AR/AF/AS Film
- ★ **Optional Antibacterial Film Option, disinfects 99.99% of Harmful Bacteria**



Side Brackets



Desktop Stand



Wall Mounting



PSE



BSMI



FCC



CE



RoHS



ISO9001

Display Specifications

Model Name	NTM104X0XXXXD-011 *	Display Mode	MVA Type, Normally Black
Screen Diagonal	10.4 inch	Response Time	25 msec.
Display Area	210.4x157.8 mm	Backlight Unit	LED (white LED)
Resolution	1024x768 (XGA)	Viewing Angle (L/R, U/D)	176°/176° (CR_≥10)
Contrast Ratio	1000:1	Backlight Lifetime	50000 HRS
Display Ratio	4:3	Operating Temp.	-30~70°C
Support Color	16.2 M Colors	Storage Temp.	-30~85°C
Pixel Pitch	0.0685x0.0685 mm	Surface Treatment	Anti-glare, 3H

* X = A~Z, 0~9 (Depends on Options.)

Input /Output System

	Description	Connector
Video Input	VGA+DVI	D-sub 15pin/DVI-D
Audio Input	Stereo	TRS Connector Φ3.5mm (Earphone Jack)
Speakers	2W x2	
Power Input	DC12V	DC Power Jack Φ2.1mm



VGA+DVI



Speakers

Supported OS

Windows	Win10, Win8, Win7 , Vista, XP, Embedded XP, Win2000, CE.NET 4.x ↑
Linux	Kernel 2.6.24 ↑
Android	3.0 ↑
Mac	10.5.x ↑ (Intel CPU)



General Options

Brightness			
	Brightness	Environment	Model Name
Standard	500nits	General (Indoor Environment)	NTM104X0XXN<u>X</u>D-011
Option 2	1000nits	Outdoor Environment	NTM104X0XXA <u>X</u> D-011
Option 3	1500nits	Sunlight Readable	NTM104X0XXF <u>X</u> D-011

Material of Cabinet		
	Description	Model Name
Standard	Galvanized steel (SECC)	NTM104XXXXX<u>S</u>D-011
Option 1	Stainless Steel	NTM104XXXXXL <u>D</u> -011
Option 2	Aluminum	NTM104XXXXXA <u>D</u> -011

Color of Cabinet		
	Description	Model Name
Standard	Black	NTM104XX<u>B</u>XXXXD-011
Option 1	White	NTM104XX <u>W</u> XXXXD-011
Option 2	Sliver	NTM104XX <u>S</u> XXXXD-011
Options	Other Color	NTM104XX <u>X</u> XXXXD-011

* X = A~Z, 0~9 (Depends on Color)

Accessories

Item	Description	Quantity
VGA Cable	D-Sub 15Pin Male to Male, 1.2 Meter	1
Audio cable	3.5mm Headset Jack, Male to Male, 1.2 Meter	1
AC-DC Adapter	4.16A/12V with CE/FCC/CCC/UL/RoHS/PSE/JET Certification	1
Power cord	*Country Specific	1
USB Cable	A type, Male to Male, 1.5 Meter *(only for touch monitor)	1

Touch Options

Non-Touch			
Model No.	NTM10400XXXXD-011		

Resistive Touch			
Model No.	NTM10450XXXXD-011	Transparency	80%±5%
Touch Screen	5 Wire Resistive Touch	Precision	98.50%
Allowed touch points	1 point	Surface Treatment	Anti-glare <15%
Interface	USB/RS232	Hardness	≥3H

Projected Capacitive Touch			
Model No.	NTM104Y0XXXXD-011	Transparency	≥90%±3%
Touch Screen	Projected Capacitive	Precision	99.00%
Allowed touch points	10 points	Surface Treatment	Tempered
Interface	USB	Hardness	≥7H

Active Stylus Option	
Technology	Active Capacitive Coupled
Working Frequencies	90~250 KHZ
Pressure Level	256~1024 Levels
Side Buttons	2 Side Buttons (Eraser, Barrel)
Active Tip Force	5~25g
Max. Tip Force	400g

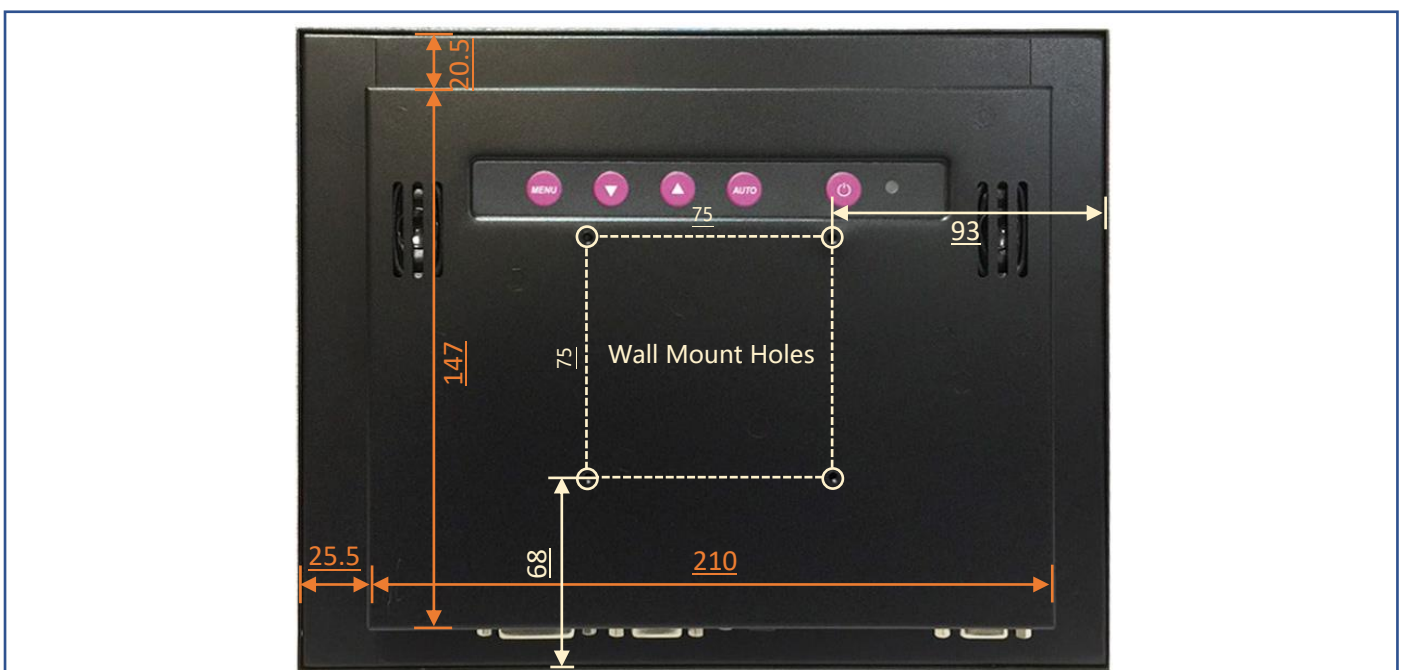
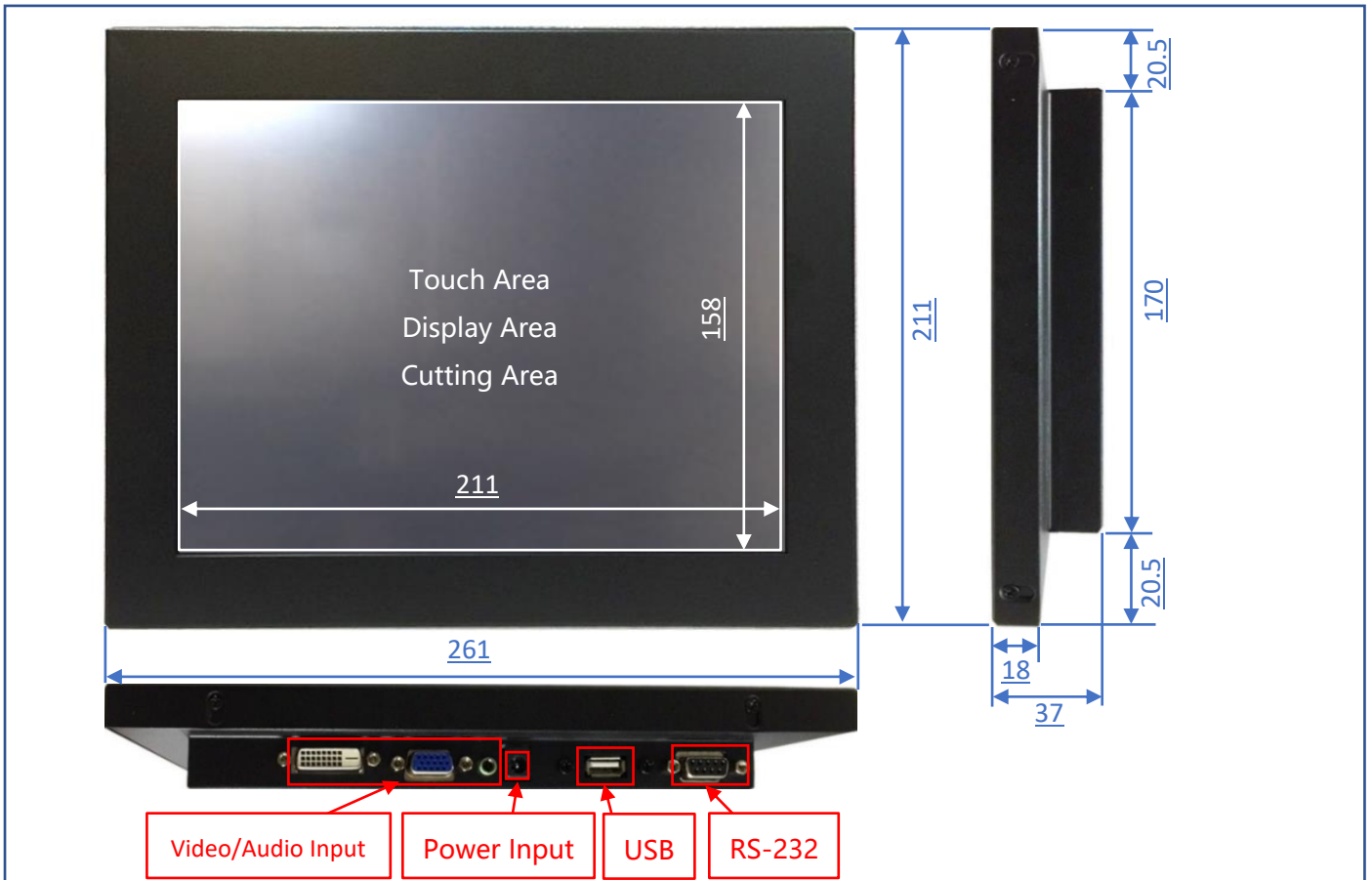


Surface Film Options	
Standard	(none)
Option	Antibacterial (AB Film)
Option	Anti-Glare (AG Film)
Option	Anti-Reflective (AR Film)
Option	Anti-Fouling/Fingerprint (AFP Film)
Option	Anti-Spy (AS Film)
Option	UV-Cut (UV Film)



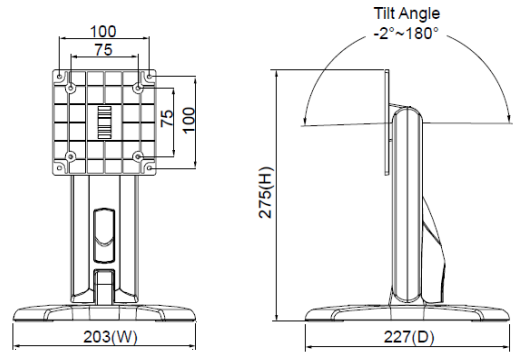
Physical Specifications

Dimension (Max)	261x211x37(±1)mm	Net Weight	≦1.6 KG
VESA Mounting	75x75 mm	Gross Weight	≦2.7 KG

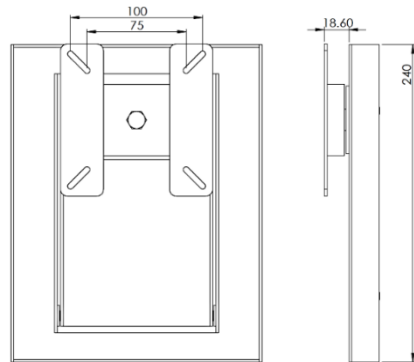


Optional Accessories (Desktop Stand)

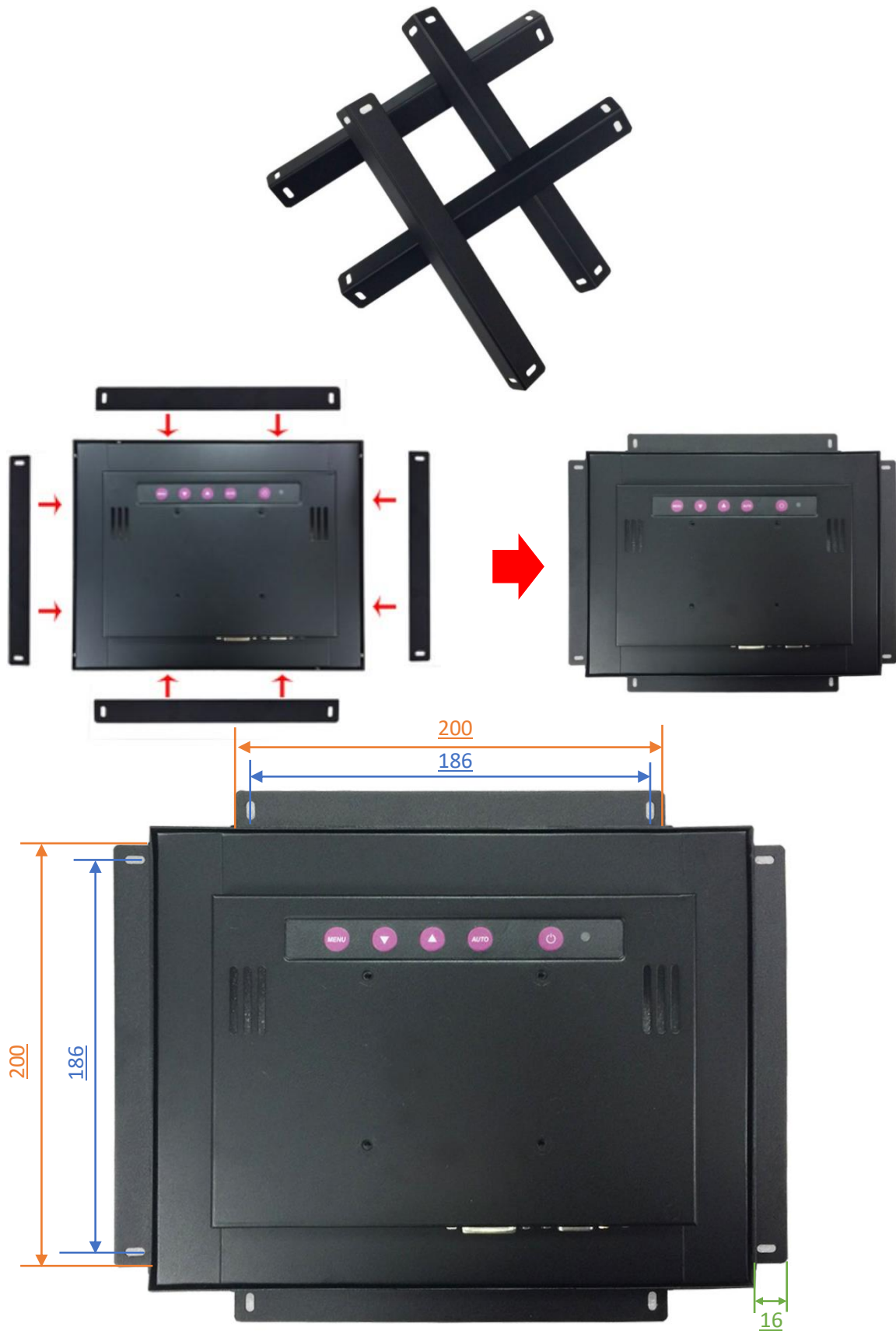
Item	B Stand	Part No.	DST-0B001/DST-1B001
Mounting Pattern	100x100 / 75x75 mm	Dimension (WxHxD)	203x275x227 mm
Material	Steel/Plastic/Aluminum	Net Weight	1.8 KG
Tile (Hinge)	-2° ~+180°	Support Max. Weight	15 KG



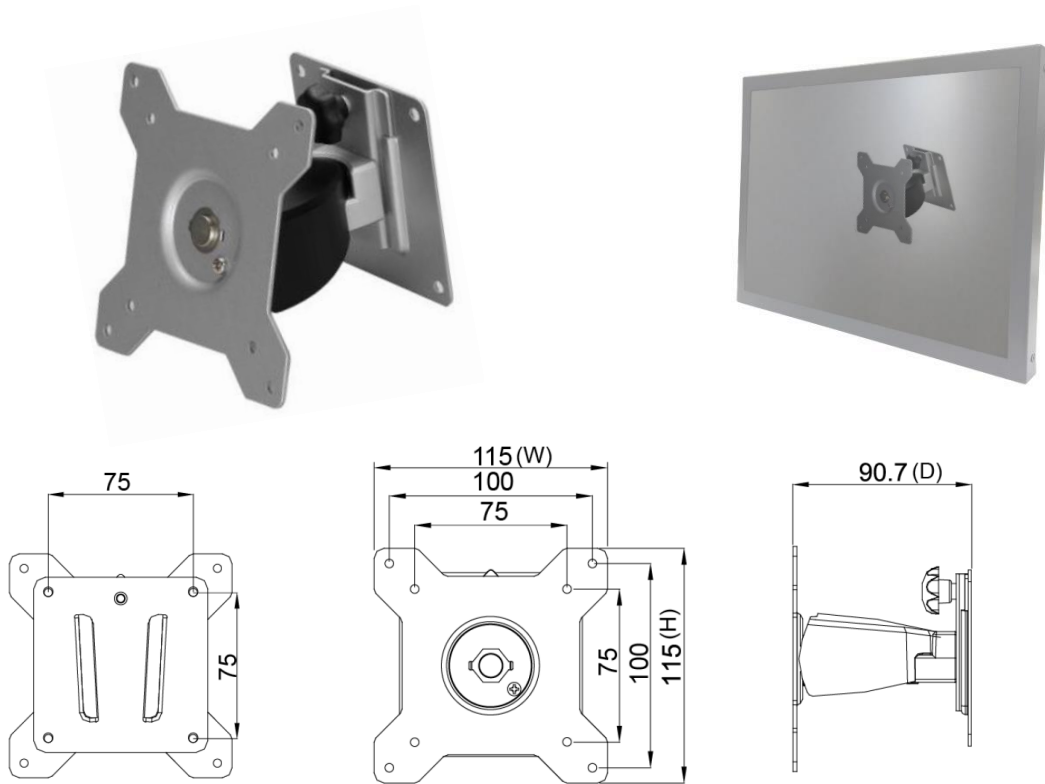
Item	Z Stand	Part No.	DST-0BZ02/DST-1BZ02
Mounting Pattern	100x100 / 75x75 mm	Dimension (WxHxD)	190x240x41.6
Material	SECC	Net Weight	2.6 KG
Tile (Hinge)	±360°	Support Max. Weight	15 KG



Optional Accessories (Open-frame Brackets)



Optional Accessories (Wall Mount Bracket)



Packing Information



Dimensions of Carton	390x320x90 mm
Net Weight	≦1.6 KG
Gross Weight	≦2.7 KG

Optional Accessories (Desktop Stand or Arm)



- 273x180x265 mm
- 1.07 KG
- Support 12 KG



- 620x556x123 mm
- 3 KG
- Support 10 KG



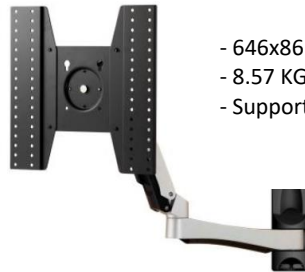
- 250x192x445 mm
- 1.4 KG
- Support 12 KG



- 655x858.5x563 mm
- 7.56 KG
- Support 30 KG



- 158x403x144 mm
- 2.12 KG
- Support 12 KG



- 646x861x953.5 mm
- 8.57 KG
- Support 30 KG



- 423x403x240 mm
- 1.91 KG
- Support 12 KG



- 1300x403x307 mm
- 5.3 KG
- Support 8 KG (2.7 KG Each)



- 715x393x144 mm
- 3.68 KG
- Support 12 KG (6 KG Each)

