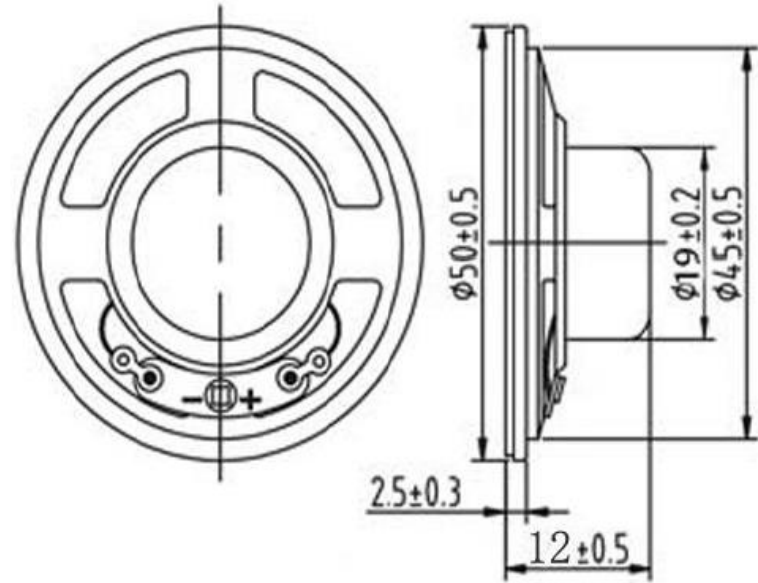
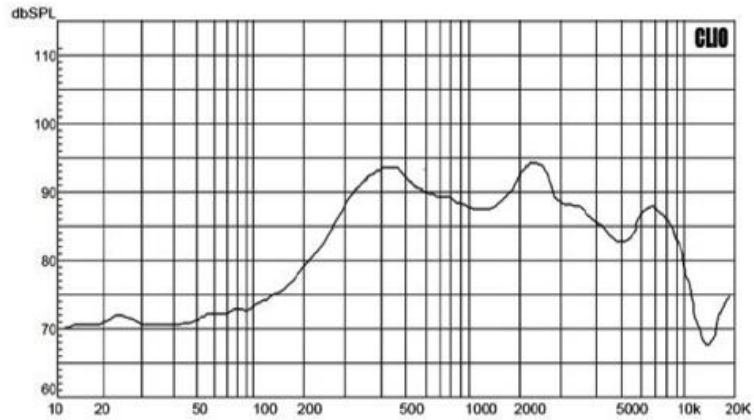


SPECIFICATION		
1	<b>Model No.</b>	S-PC-50-02-N12.5P
2	Cone Material:	Paper
3	Edge:	Paper
4	Nominal Power:	0.25W
5	Maximum Power:	0.5W
6	Impedance:	16Ω±15%
7	Fo:	500±20%Hz
8	Response:	F0-4.5KHz
9	S.P.L.:	83±3dB
10	Magnet Size:	Φ12.5×3(NdFeB)



REVISION HISTORY			
LTR	DESCRIPTION	DATE	APPROVED
-	RELEASED FROM ENGINEERING	9/23/2003	Y M
A			
B			
C			



**NOTES:**

1. ALL DIMENSIONS ARE IN MILLIMETERS
2. SPECIFICATIONS SUBJECT TO CHANGE WITHOUT NOTICE