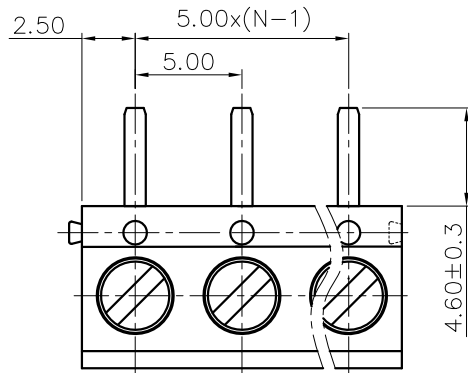


REVISION RECORD				
REV	ECN	DESCRIPTION	DRFT	DATE



NOTES1:

UL Standard

1. Rated Voltage/Current : 300V / 15A
2. Torque Value : M2.5 , 3.54Lb.in
3. Wire Range : 22~14AWG

IEC Standard

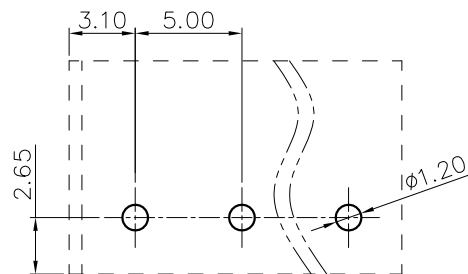
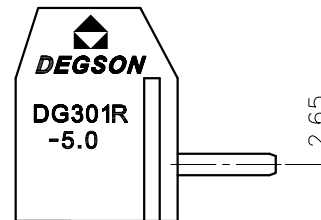
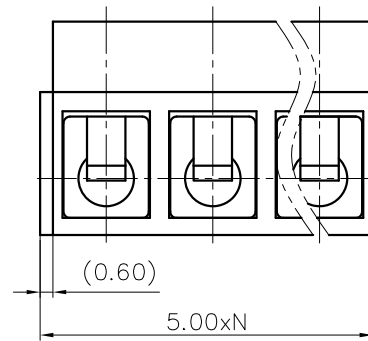
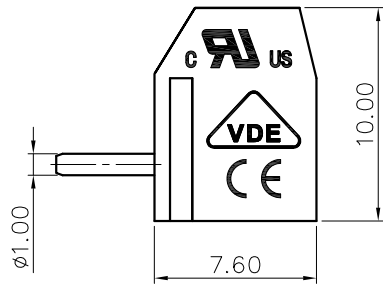
1. Rated Voltage/Current : 250V / 17.5A
2. Torque Value : M2.5 , 0.4N.m
3. Wire Range : 0.75~1.5mm²

NOTES2:

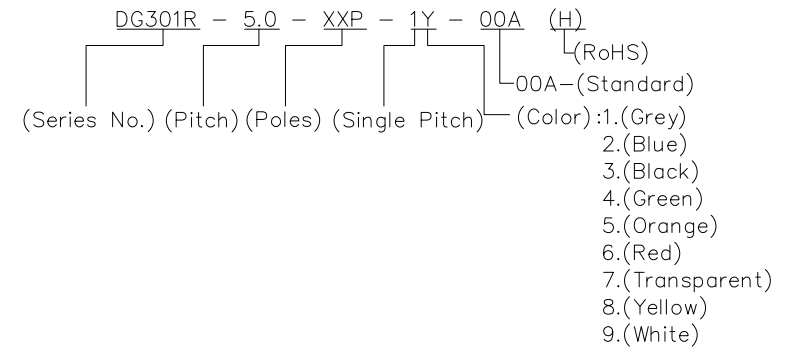
1. Dimension shall be interpreted per ASME Y14.5-2009
2. Pitch : 5.0mm, Poles : N=02~24P
3. Stripping length : 5~6mm
4. Withstanding Voltage : AC2000V/1Min.
5. Operating temperature : -30°C~+120°C
6. Undimensioned Tolerances:

Pitch Range In mm		Nominal Dimension Range In mm						
TO	Over TO	TO	Over TO	TO	Over TO	0.1/10	∠	
6	10	10	24	30	60	100	150	∠
±0.15	±0.20	±0.30	±0.30	±0.50	±0.70	±1.00	±1.30	±2°

7. RoHS Compliance



PCB LAYOUT



DETACHED LISTS	PART NO.:	宁波高松电子有限公司 NINGBO DEGSON ELECTRICAL CO., LTD			
	APPD:	NAME: DG301R-5.0-XXP-1Y-00A(H)			
	CHKD:	TITLE: CUSTOMER DRAWING			
	DRFT:	DRAWING NO.:		REV	DO
		MM (INCH)	DO NOT SCALE DRAWING	SHEET 1/1	SCALE 1:1