

# PRODUCT SPECIFICATION

**Product:** Speaker

**Model:** S-CXS50078-R08W0.2-G

**Release Date:** 2019/7/11

## Revision History

Rev.	Date	Description	Engineer	Approved By
01	2019/7/11	Initial Release	YueXia Cheng	George
02	2019/7/25	修改图面尺寸	YueXia Cheng	George

常州誠銘電子科技有限公司 常州誠訊電子有限公司



## PRODUCT IMAGE

## SPECIFICATIONS

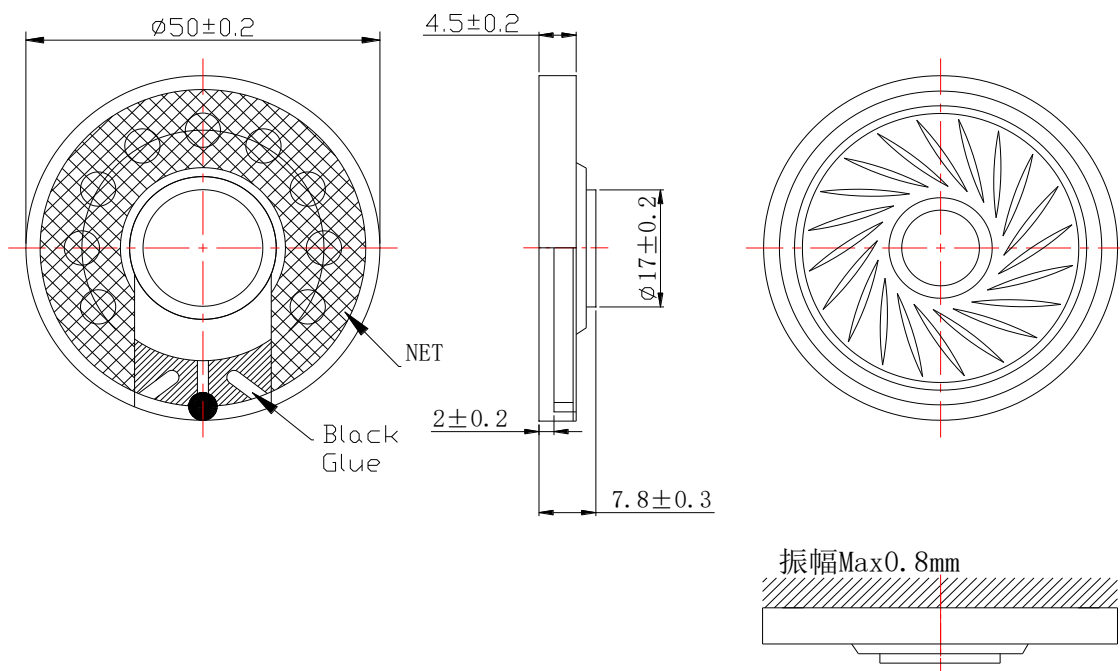
Parameter	Conditions/Description	Values	Units
Rated Input Power		0.2	W
Max Input Power		0.4	W
Impedance		8±15%	Ω
Sound Pressure Level	at 0.6K 0.8K 1.0K 1.2KHz in 1.0W/1.0M	85±3	dB
Resonant Frequency	at 1.0 V	400±20%	Hz
Frequency Range	Output S.P.L. -10dB	Fo~3.5K	Hz
Distortion	at 1K Hz, input 1.0W,	< 10%	-
Magnet	NdFeB	Φ12.5*1.5	mm
Buzz, Rattle, etc.	must be normal at sine wave between Fo ~ 5K Hz	1.26	V
Polarity	cone will move forward with positive dc current to "+" terminal		
Weight		9.7	g
Operating		-20~+60	°C
Storage Temperature		-30~+70	°C
Waterproof Rating		N/A	

Notes: All specifications measured at 5~35°C, humidity at 45~85%, under 86~106 kPa pressure, unless otherwise noted.

## MECHANICAL DRAWING

Units: mm

Tolerance:  $\pm 0.5\text{mm}$



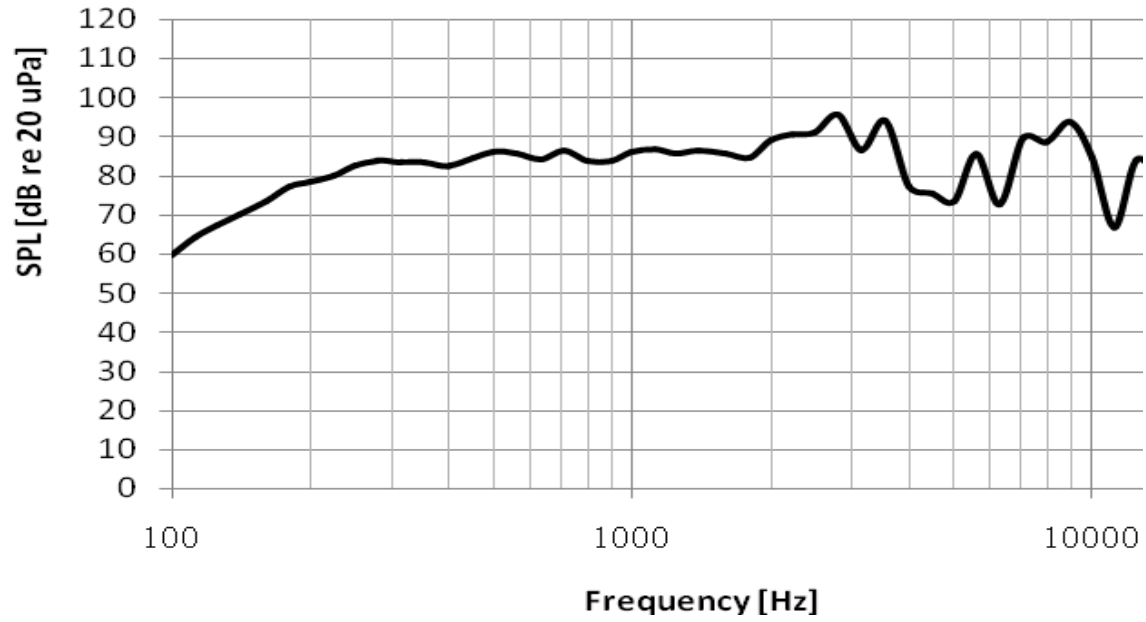
## CONSTRUCTION DETAIL

PART NO.	PART NAME	Q' TY	MATERIAL	REMARK
1	Diaphragm	1	PET	
2	VOICE COIL	1	Cu	
3	Plate	1	SPCC	
4	Magnet	1	NdFeB	
5	PCB Terminal	1	FR4	
6	Frame	1	ABS777	

## RESPONSE CURVES

### Frequency Response Curve

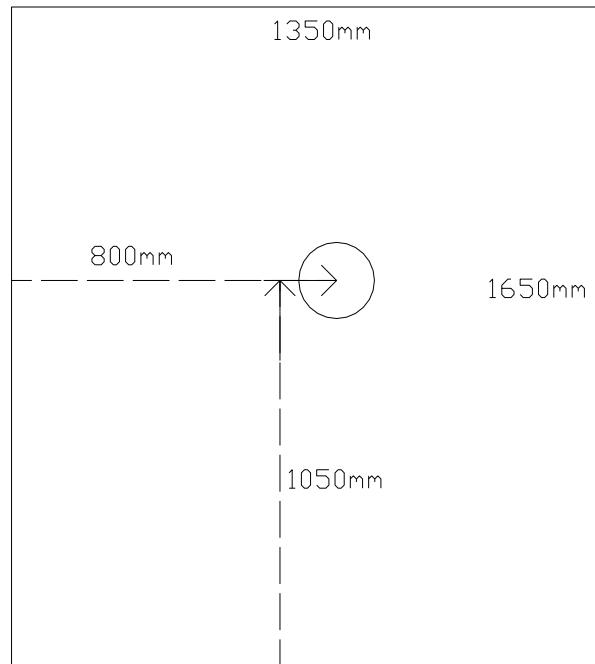
Test condition: 1.0W/1.0M,



## RELIABILITY TEST

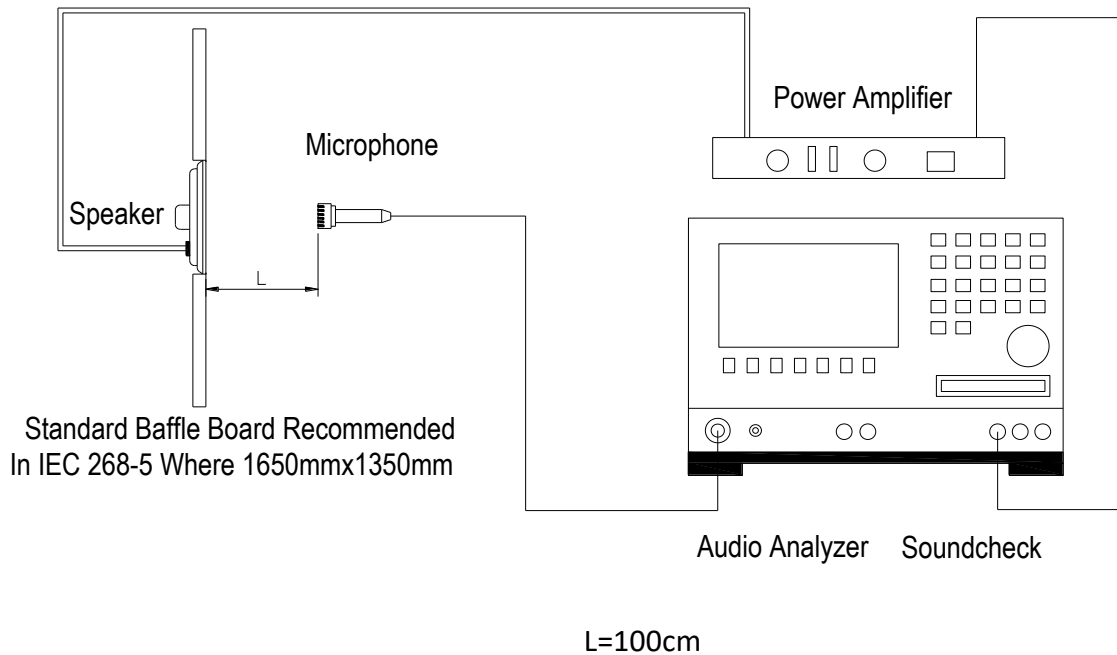
1	Reliability Test Performance	After any following test, parts should conform to original performance within $\pm 3$ dB tested with Rated Power, after 6 hours of recovery period.
2	High Temperature Test	96 hours at Maximum Rated Operating Temperature
3	Low Temperature Test	96 hours at Minimum Rated Operating Temperature
4	Humidity Test	96 hours at $+30^{\circ}\text{C}\pm 3^{\circ}\text{C}$ , 92-95% RH
5	Temp./Humidity Cycle	<p>The part shall be subjected 5 cycles. One cycle shall be 6 hours and consist of</p>
6	Vibration Test	<p>Frequency: 10~55~10Hz Oct/min      Amplitude: 1.5mm</p> <p>Duration: 2 hours each of 3 perpendicular directions</p>
7	Drop Test	Drop the speaker contained in normal box onto the surface of 40mm thick board 10 times from the height of 75cm
8	Operation Life Test	Must perform normal with program White-Noise source at Rated Power for 96 Hours
9	Termination Strength	Apply 3.0N(0.306kg) to each terminal in horizontal direction for 30 seconds; Apply 2.0N(0.204kg) to each terminal in vertical direction for 30 seconds;

## MEASURING METHOD



**Fig. 1 Block Diagram for Measurement Method**

### Standard test condition of speaker



**Fig. 2 Speaker Test Condition**

## PACKAGING

units: cm

Remark:

100pcs per tray

5 trays for unit, 2 units per carton

Total:1000 pcs per box

Size:58\*32\*32cm

净重 10kg 毛重 12kg

