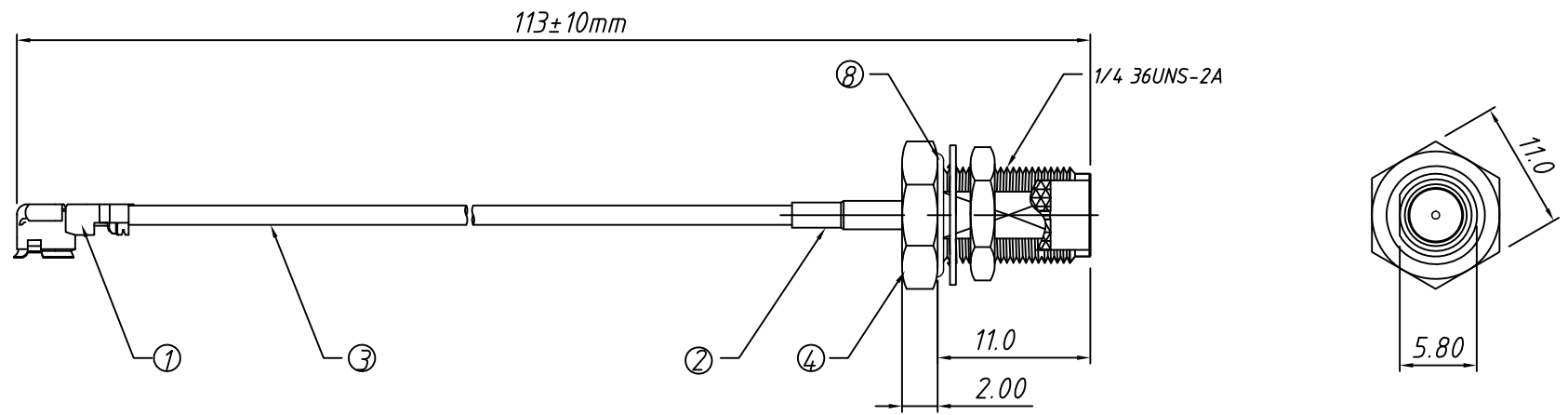
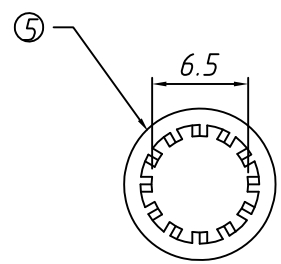


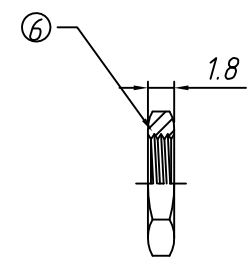
1
RoHS compliant



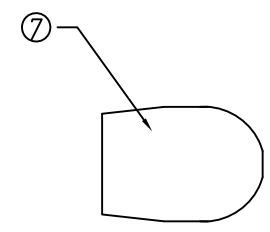
Note:
 1: V.S.W.R: 1.5(0~3G), Max.
 2: Wire surface shall have no dirt, broken.
 3: Connector surface with coating, oxidation phenomenon.
 4: Connector pins and insulator are in the same plane



Washers



NUT



CAP

8	O-RING	Silicone , Red	PCS	1
7	CAP	Rubber CAP,Red	PCS	1
6	Nut	NUT 1/4-36UNS-2B,T1.8mm,gold plated	PCS	1
5	Washers	Washers ,T0.4mm,gold plated	PCS	1
4	Connector	SMA Jack,Female with ,for 1.13mm Cable	PCS	1
3	RF Cable	OD1.13mm RF Cable,Black,L105mm	PCS	1
2	Heat-Shrink Tube	φ1.0mm Heat-Shrink Tube,Black,L15mm	PCS	1
1	Connetor	I-PEX Plug,for 1.13mm RF Cable	PCS	1
No.	Name	Description	UNITS	Q'ty

		Description:
		I-PEX to Waterproof SMA Female Cable
PROJECTION		
UNITS	mm	
SHEET SIZE	A4	
Draw:	2019-06-04	Conntherm
Check:	2019-06-04	