

# PRODUCT SPECIFICATION

**Product:** SPEAKER

**CXSOUND P/N:** S-CXS57085-R08W1.0-B11

**Customer:**

**Customer P/N:**

CUSTOMER SIGNATURE OF APPROVAL	
DATE	

CXSOUND SIGNATURE			
Prepared by	Reviewed by	Approved by	Date

常州誠銘電子科技有限公司      常州誠訊電子有限公司





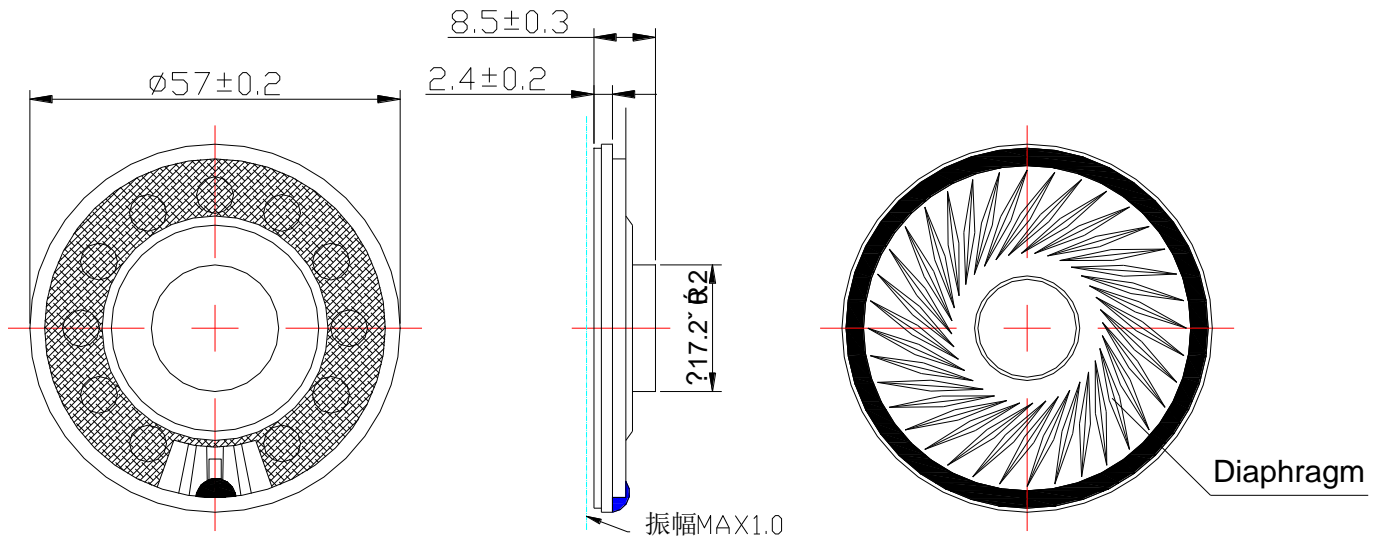
## PRODUCT IMAGE

---

## SPECIFICATIONS

Parameter	Conditions/Description	Values	Units
Rated Input Power		1.0	W
Max Input Power		2.0	W
Impedance		8±15%	Ω
Sound Pressure Level (S.P.L.)	at 0.8K 1.0K 1.2K 1.5KHz in 0.5W/0.1M average (0dB SPL=20μPa)	97±3	dB
Resonant Frequency (Fo)	at 1.0 V	200±20%	Hz
Frequency Range	Output S.P.L. -10dB	Fo~6K	Hz
Distortion	at 1K Hz,	< 5%	-
Magnet	NdFeB	Φ12.5*1.5	mm
Buzz, Rattle, etc.	must be normal at sine wave between Fo ~ 5K Hz	2.83	V
Polarity	cone will move forward with positive dc current to "+" terminal		
Weight			g
Operating Temperature		-30~+60	°C
Storage Temperature		-30~+60	°C
Waterproof		N/A	

Above Measuring condition under temperature : 15~35°C R.H. 25 ~75%.86 kPa to 106 kPa (860 mbar to 1 060 mbar According to standard GB/T 9397—200X and IEC 60268-1

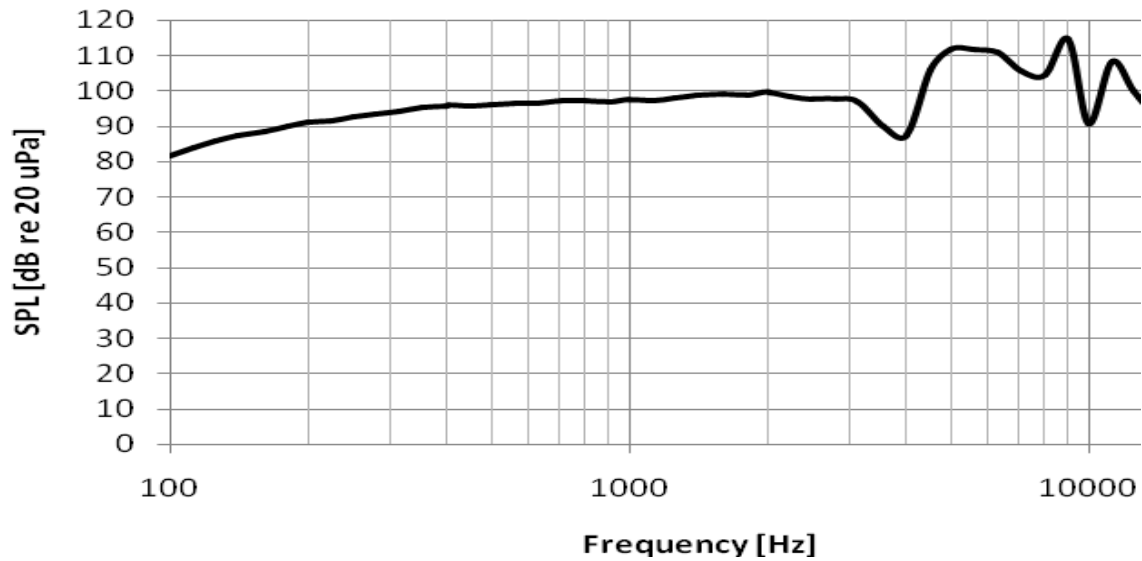
**MECHANICAL DRAWING**Units: mm Tolerance:  $\pm 0.5\text{mm}$ **CONSTRUCTION DETAIL**

NO.	PART NAME	Q'TY	MATERIAL	REMARK
1	Gasket	1	Paper	
2	Diaphragm	1	PET	
3	VOICE COIL	1	Cu	
4	Plate	1	SPCC	
5	Magnet	1	NdFeB	
6	PCB Terminal	1	FR4	
7	Frame	1	SPCC	

## RESPONSE CURVES

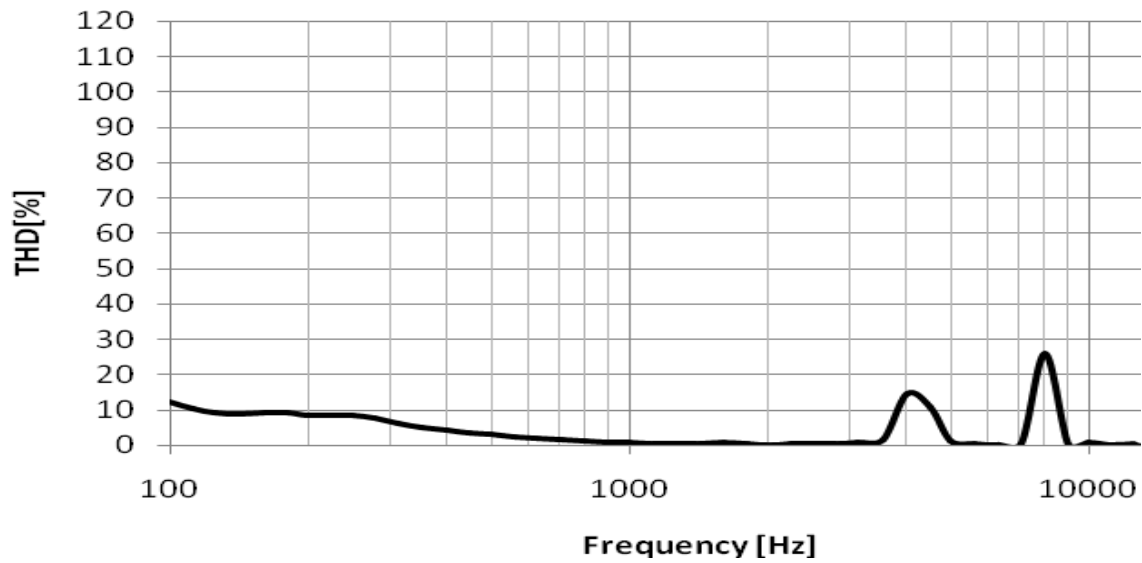
### Frequency Response Curve

Test condition: 0.5W/0.1M,

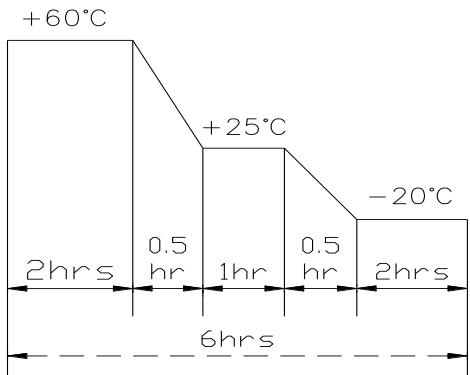


### Total Harmonic Distortion Curve

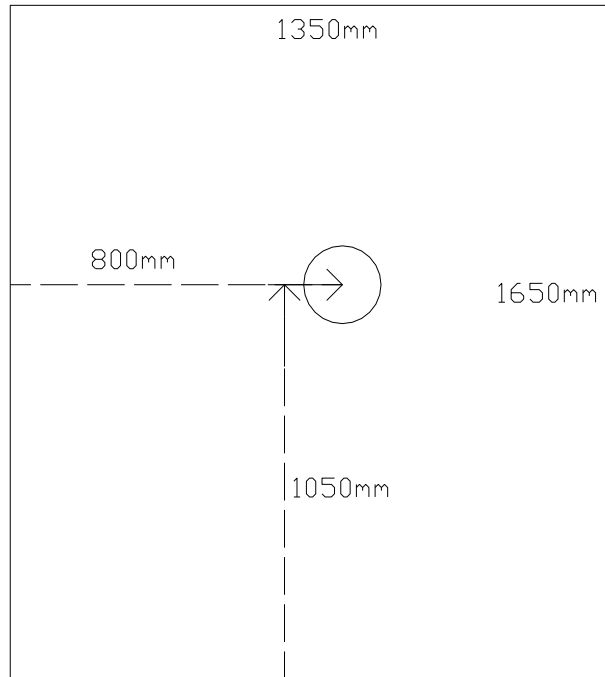
Test condition: 0.5W/0.1M,



## RELIABILITY TEST

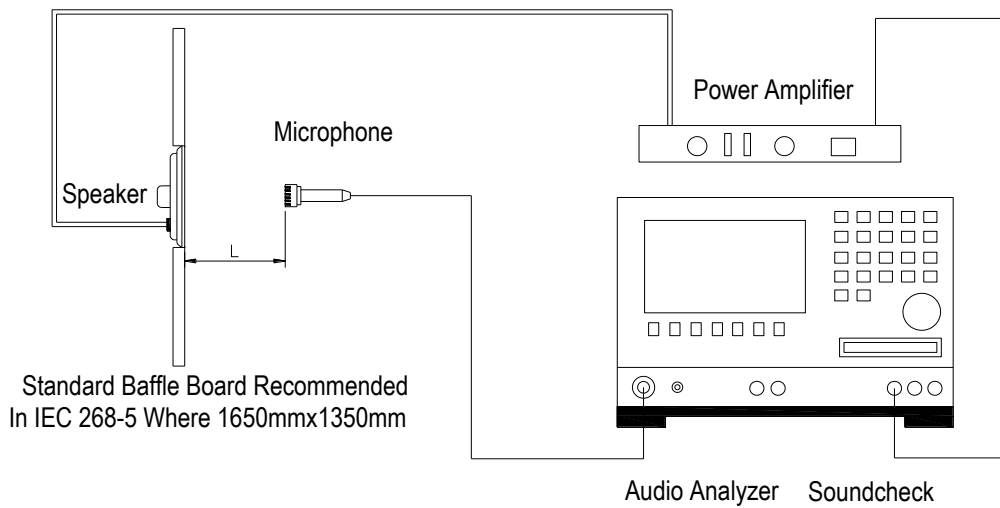
1	Reliability Test Performance	After any following test, parts should conform to original performance within $\pm 3$ dB tested with Rated Power, after 6 hours of recovery period.
2	High Temperature Operation and Storage	+ 60 $\pm$ 2 °C Humidity Random for 96 Hours. (GB/T 9397—200X)
3	Low Temperature Operation and Storage	- 30 $\pm$ 2 °C Humidity Random for 96 Hours. (GB/T 9397—200X)
4	Humidity Test	+40°C $\pm$ 2°C Relative Humidity(RH)90~95% 48 Hours
5	Temp Cycle	<p>The part shall be subjected 4cycles. One cycle shall be 6 hours and consist of (GB5170.18-87)</p>  <p>The diagram illustrates a temperature cycle profile. It starts at +60°C for a 2-hour dwell. This is followed by a 0.5-hour ramp down to +25°C, where it dwells for 1 hour. Another 0.5-hour ramp down leads to -20°C, which is dwelled for 2 hours. The total duration of one cycle is 6 hours, indicated by a dashed line at the bottom.</p>
6	Vibration Test	Frequency 30 $\pm$ 15 Hz, Amplitude 1.5 mm for 3 Hours. (GB11606.8-89)
7	Drop Test	75 CM free falling on Concrete floor, 10 times. (GB2423. 8-81)
8	Load test	Must perform normal with program White-Noise source at Rated Power for 96 Hours(GB/T 9397—200X)
9	Termination Strength	Apply 3.0N(0.306kg) to each terminal in horizontal direction for 30 seconds; Apply 2.0N(0.204kg) to each terminal in vertical direction for 30 seconds;

**MEASURING METHOD**



**Fig. 1 Block Diagram for Measurement Method**

**Standard test condition of speaker**



**L=10cm**

**Fig. 2 Speaker Test Condition**

## PACKAGING

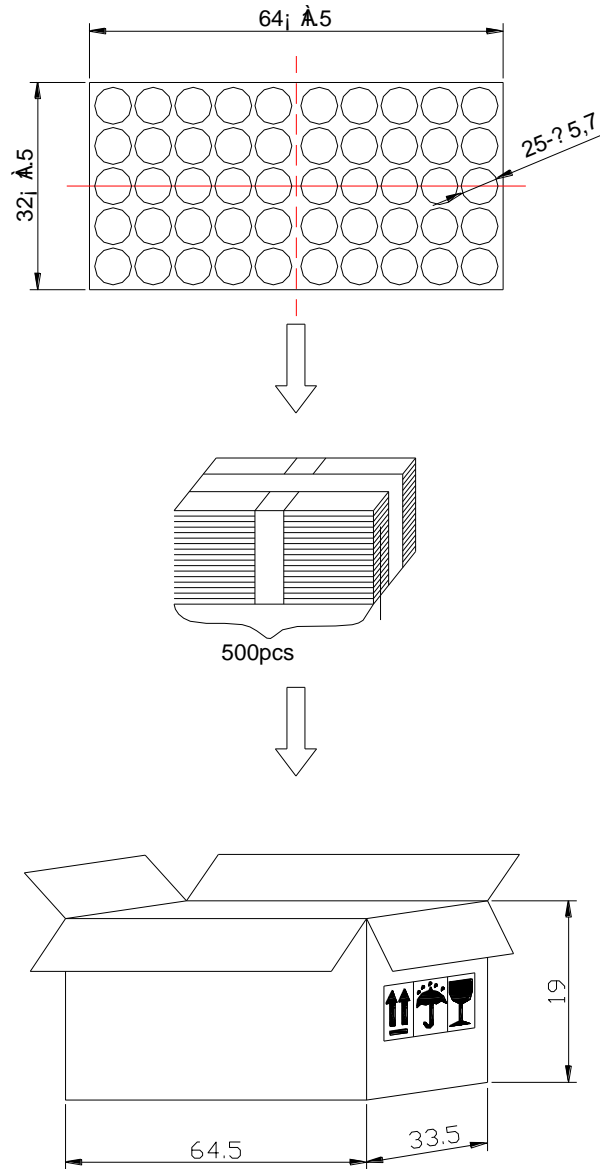
Storage conditions:

Speakers should be well packed.

The temperature should be as stable as possible and between  $-10^{\circ}\text{C}$  and  $+40^{\circ}\text{C}$ .

The relative humidity should be below 90%.

There should be no acid or other harmful gases in the surrounding air (GB/T 9397—200X)



units: cm

Remark:

50 pcs per tray

10 trays for unit , 1units per carton

Total:500 pcs per box

Size: 64.5\*33.5\*19cm