

## EMILY-WWW

~60° wide beam. 13.43 mm high lens. Modified version to fit CREE XM-L LEDs.

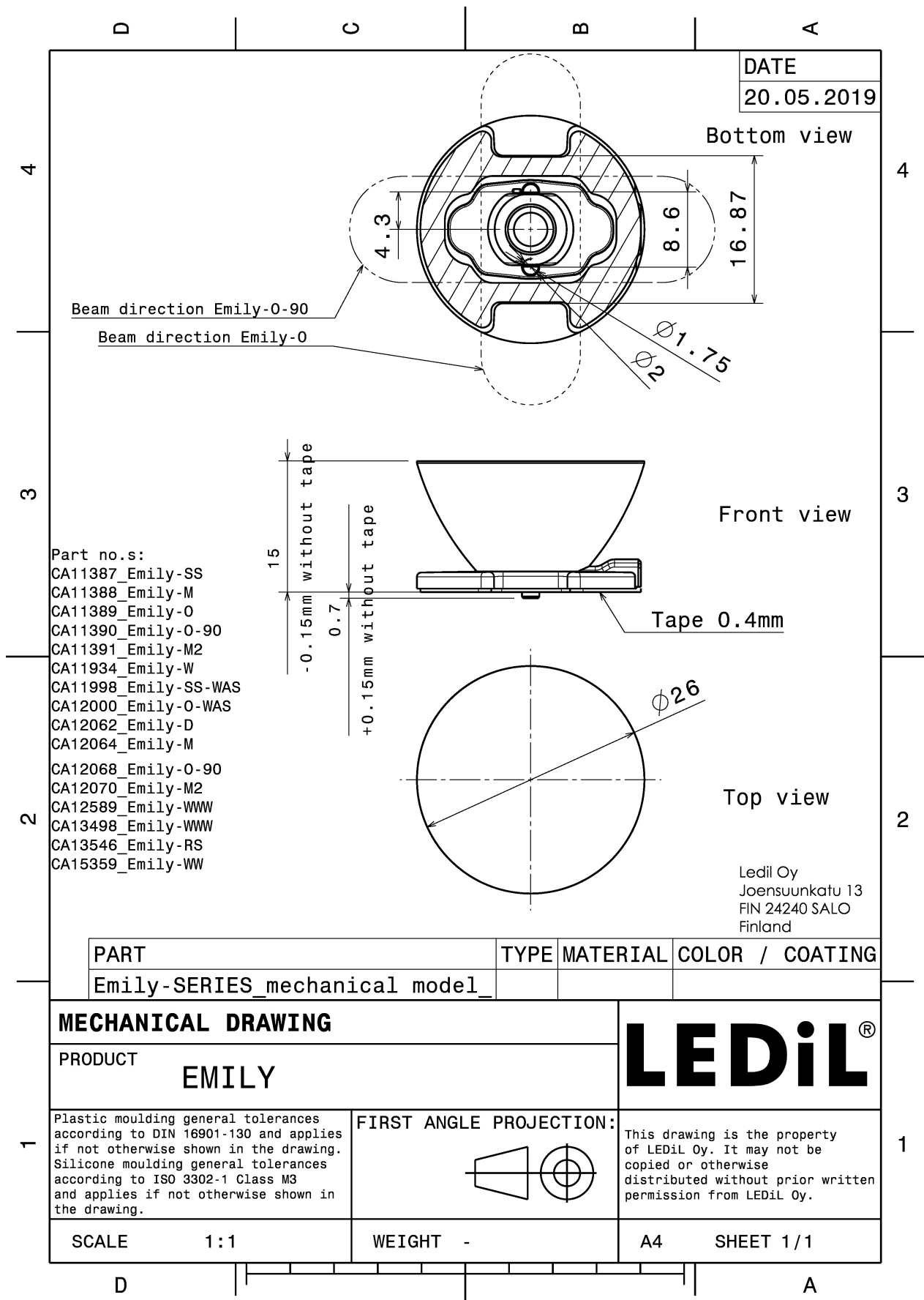
### TECHNICAL SPECIFICATIONS:

|                 |                    |
|-----------------|--------------------|
| Dimensions      | Ø 26.0 mm          |
| Height          | 13.4 mm            |
| Fastening       | tape               |
| Colour          | clear              |
| Box size        | 480 x 280 x 300 mm |
| Box weight      | 8.9 kg             |
| Quantity in Box | 1690 pcs           |
| ROHS compliant  | yes ⓘ              |



### MATERIAL SPECIFICATIONS:

| Component    | Type        | Material | Colour |
|--------------|-------------|----------|--------|
| EMILY-WWW    | Single lens | PMMA     | clear  |
| SPUTNIK-TAPE | Tape        | PU tape  | black  |



|   |                                    |   |
|---|------------------------------------|---|
| <b>MECHANICAL DRAWING</b>   |                                    | <b>LEDiL<sup>®</sup></b>  |
| PRODUCT <b>EMILY</b>  |                                    |   |
| Plastic moulding general tolerances according to DIN 16901-130 and applies if not otherwise shown in the drawing.<br>Silicone moulding general tolerances according to ISO 3302-1 Class M3 and applies if not otherwise shown in the drawing. | <b>FIRST ANGLE PROJECTION:</b><br> | This drawing is the property of LEDiL Oy. It may not be copied or otherwise distributed without prior written permission from LEDiL Oy. |
| SCALE 1:1   | WEIGHT -                           | A4 SHEET 1/1  |