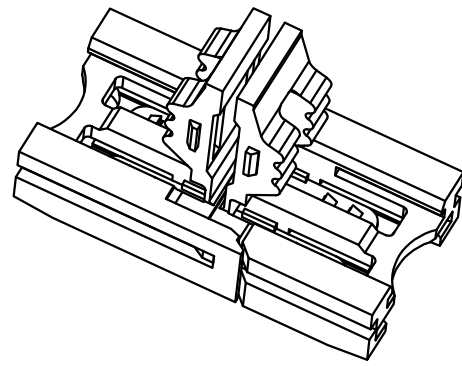
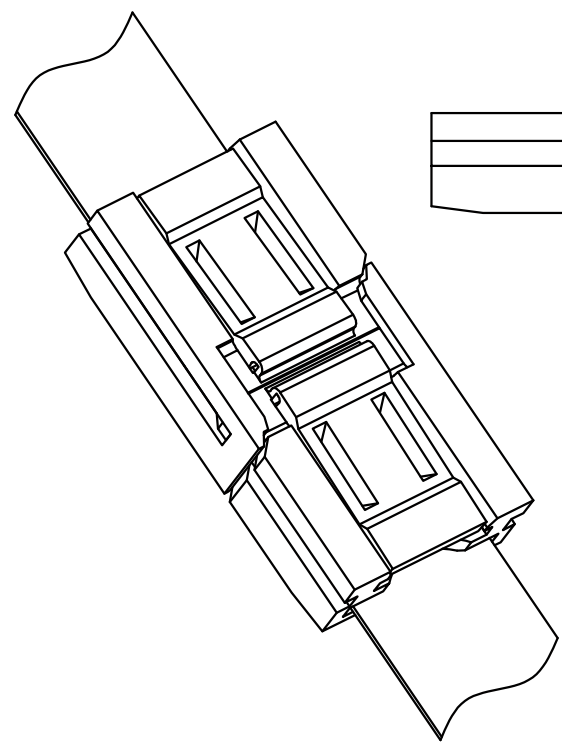
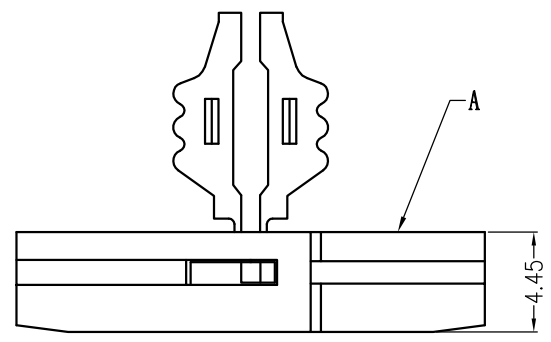
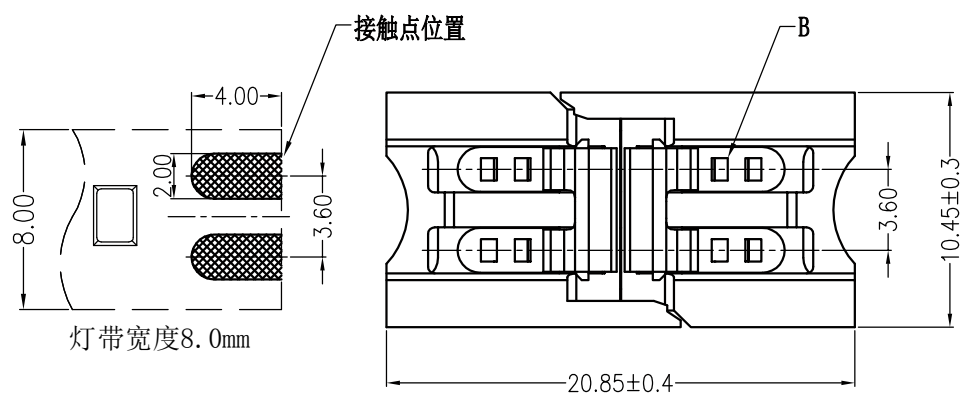


REV	DESIGN	DATE
A0		2016.03.11
-	-	-



主要技术参数 Main Specifications

- 线数 (Poles): 02
- 接触电阻 (Contact resistance): $\leq 20m\Omega$
- 绝缘电阻 (Insulation resistance): $\geq 1000M\Omega$
- 额定电压 (Rated voltage): 250V AC DC
- 额定电流 (Rated current): 2.0A AC DC
- 耐电压 (Withstand Voltage): 1000V AC/minute
- 温度范围 (Temperature Range): $-25^{\circ}C \sim +85^{\circ}C$



ITEM	COMPONENT	Q'TY	MATERIAL	FINISH
C				
B	CONTACT	2 PCS	Brass	Sn-plated
A	HOUSING	2 PCS	PA66	UL 94V-0, COLOR:WHITE

LEDsconn			TITLE: - 3.6mmPITCH Housing	
X.±0.5	X.±5'	USE: CUSTOMER	PART NO.:	
.X±0.3	.X±2'			
.XX±0.25	.XX±1'	APPD:	DWG NO.:	
--	--	CHKD:		
⊕	◁	UNITS: mm	DR:	SCALE 1 : 1
				SHEET 1 / 1