

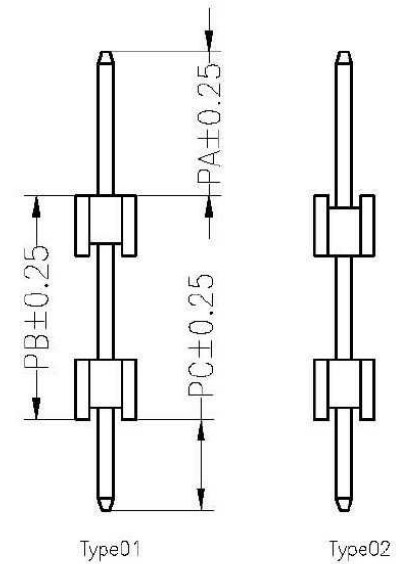
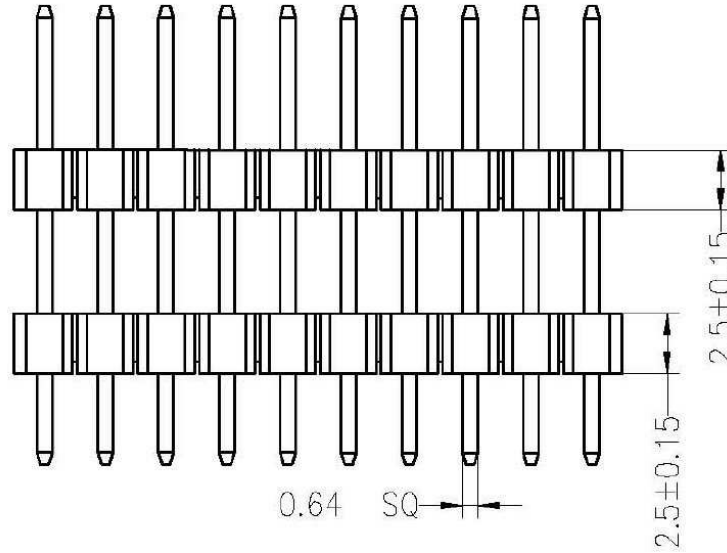
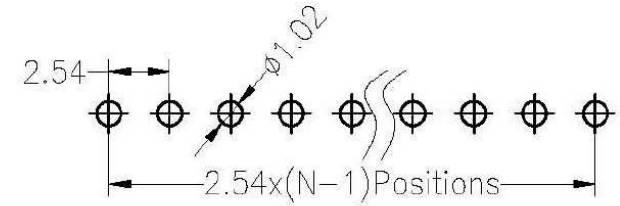
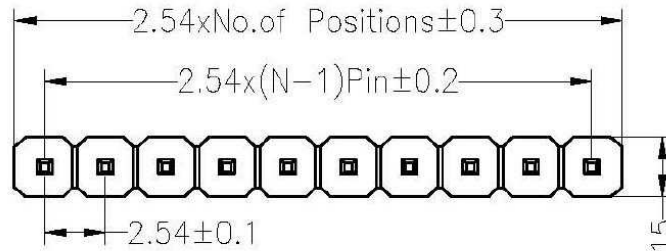


SPECIFICATIONS

Rated Current:3.0AMP
 Contact Resistance:20mΩ Max
 Withstand Voltage:1000V AC/DC
 Insulation Resistance:1000MΩ Min
 Operation Temperature:-40°C to +105°C

Contact Material:Brass
 Contact Plating:Au Over Ni
 Insulator Material:Polyester(UL94V-0)
 Standard: PA6T
 Max.Processing Temp: 230°C for 30-60 seconds
 (260°C for 5 seconds)

Recommended P.C.B Layout(Top Side)
 (PCB BOARD TOLERANCE±0.05)



| Dimension antitheses list | | | | |
|---------------------------|-----|------|-----|------|
| ITEM | PA | PB | PC | L |
| Standard | 6.0 | 12.0 | 3.0 | 21.0 |
| Alternate | | | | |

CONN THERM

| | | | | | | | | | | | | |
|-----|------|--------------------------|--|-------------|-------|-------|---------|-------|--------|-----|---------------------------------|--------------|
| | | | | OPERATION | | DRAW | | SCALE | | FIT | | |
| | | | | X.X | ±0.30 | | | UNIT | mm | | PART NO. | |
| | | | | X.XX | ±0.20 | CHECK | | SIZE | A4 | | | PLSP10S12-JL |
| AD | | | | NEW DRAWING | | | | SHEET | 1/1 | | | |
| REV | DATE | MODIFICATION DESCRIPTION | | CHANGE | DIM | TOL | APPROVE | PROJ. | TITLE: | | 2.54PH H2.50mm Single 180° Npin | |