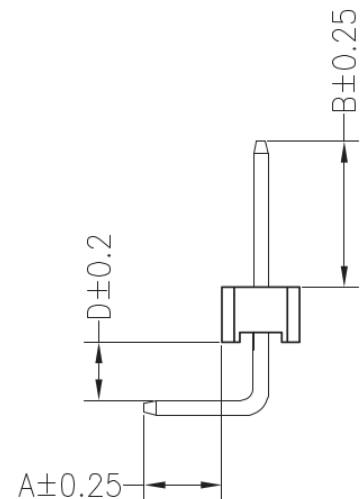
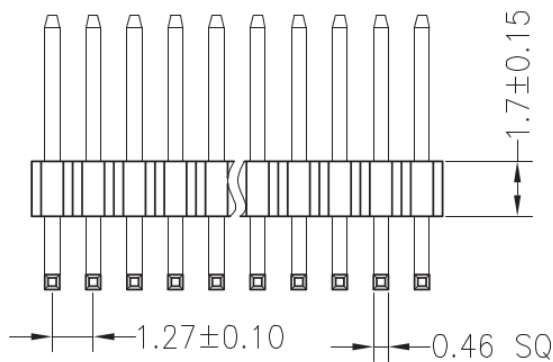
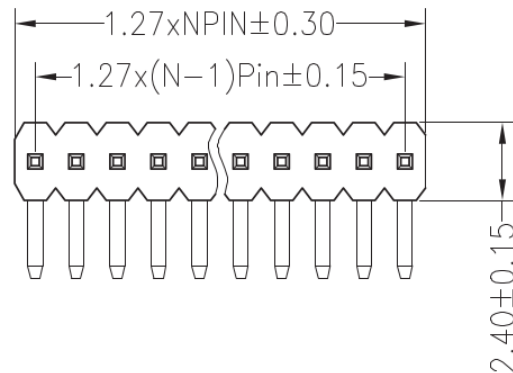
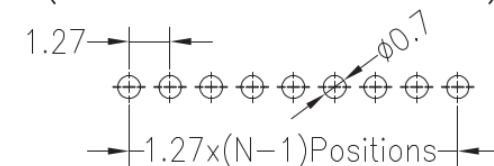


**SPECIFICATIONS**

Rated Current:1.0AMP  
 Contact Resistance:20mΩ Max  
 Withstand Voltage:500V AC/DC  
 Insulation Resistance:1000MΩ Min  
 Operation Temperature:-40°C to +105°C

Contact Material:Brass  
 Contact Plating:Au or Sn Over Ni  
 Insulator Material:Polyester(UL94V-0)  
 Standard: PA6T  
 Max.Processing Temp: 230°C for 30-60 seconds  
 (260°C for 10 seconds)

Recommended P.C.B Layout(Top Side)  
 (PCB BOARD TOLERANCE±0.05)



Dimension antitheses list			
ITEM	A	B	D
Standard	1.80	2.70	1.00
Alternate			

				OPERATION		DRAW	YiYuSheng	12.03.28	SCALE	FIT	<b>CONN THERM</b>		
				X.X	±0.30				UNIT	mm			
				X.XX	±0.20	CHECK		SIZE	A4	PART NO.			
				X.XXX	±0.10			SHEET	1/1				
A0	2012.03.28	NEW DRAWING		Angle	±3°	APPROVE			PROJ.	◆	TITLE:	1.27PH H1.7mm 1xNpin 90°	
REV	DATE	MODIFICATION DESCRIPTION		DIM	TOL								