

A

B

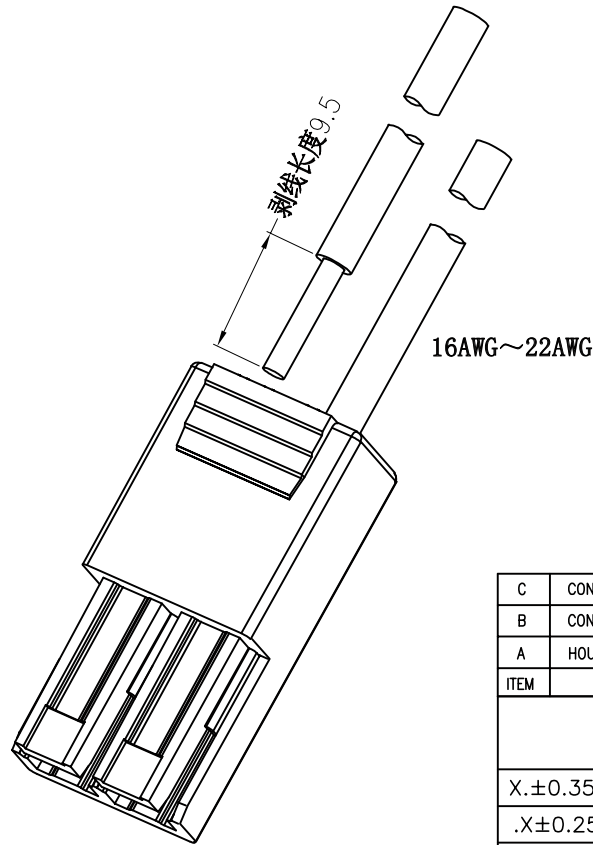
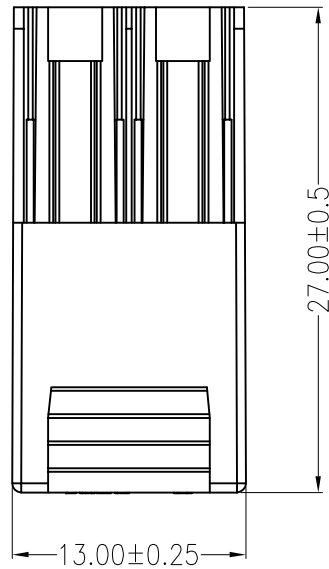
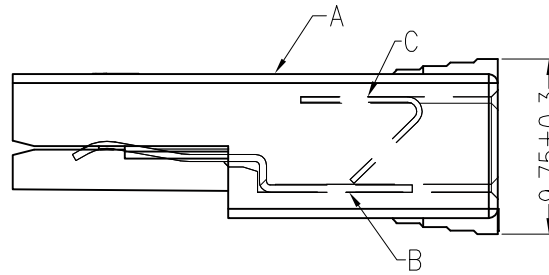
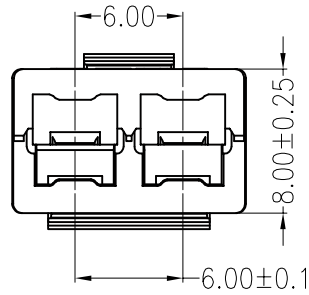
C

D

E

F

REV	DESCRIPTION	DESIGN	DATE
A	Release		



主要技术参数 Main Specifications

线 数 (Poles): 02
 接触电阻 (Contact resistance): $\leq 25\text{m}\Omega$
 绝缘电阻 (Insulation resistance): $\geq 1000\text{M}\Omega$
 额定电压 (Rated voltage): 600V AC DC
 额定电流 (Rated current): 3A AC DC
 耐 电 压 (Withstand Voltage): 2200V AC/minute
 温度范围 (Temperature Range): $-40^{\circ}\text{C} \sim +105^{\circ}\text{C}$



ITEM	COMPONENT	Q'TY	MATERIAL	FINISH
C	CONTACT	2 PCS	Stainless steel	No electroplating
B	CONTACT	2 PCS	PhosphorBronze	Gold+Sn
A	HOUSING	1 PCS	PC	UL 94V-0, COLOR:orange

LEDsconn			TITLE: 6mmPITCH Housing	
X.±0.35	X.±	USE: MANUFACTURE	PART NO.:	
.X±0.25	.X±	APPD:	DWG NO.:	
.XX±0.15	.XX±	CHKD:	SCALE	
--	--	DR:	1 : 1	SHEET
	UNITS: mm			1 / 1

A

B

C

D

E

F