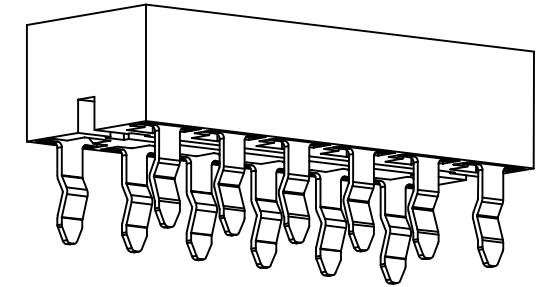
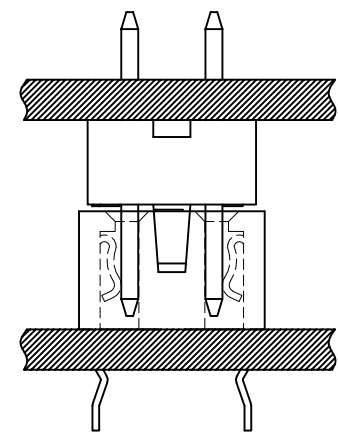
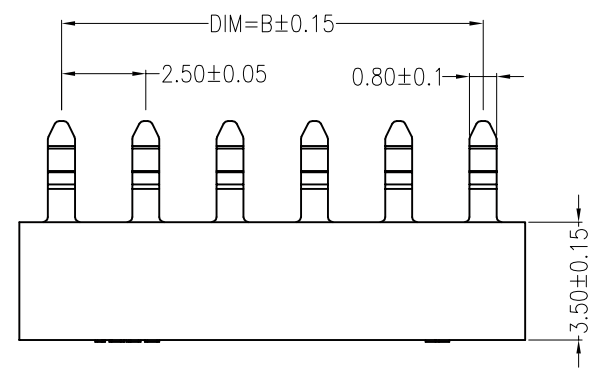
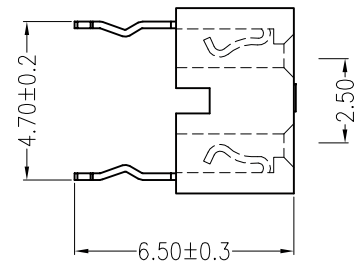
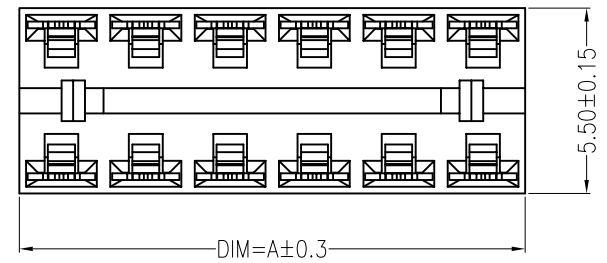


REV	ECN No.	DESCRIPTION	DESIGN	DATE
A0		Release		2015.12.28

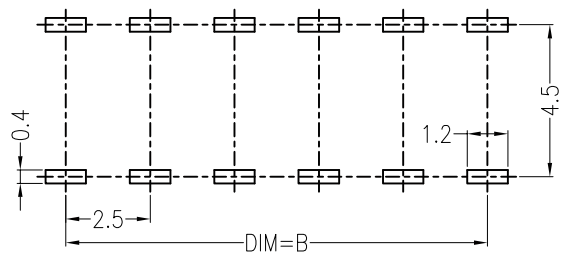


主要技术参数 Main Specifications

- 线 数 (Poles): 04 to 12
- 接触电阻 (Contact resistance): $\leq 20m\Omega$
- 绝缘电阻 (Insulation resistance): $\geq 1000M\Omega$
- 额定电压 (Rated voltage): 125V AC DC
- 额定电流 (Rated current): 1.0A AC DC
- 耐电压 (Withstand Voltage): 1000V AC/minute
- 温度范围 (Temperature Range): $-40^{\circ}C \sim +110^{\circ}C$



Assembly Layout



**SUGGESTED PCB LAYOUT
(COMPONENT SIDE)**

Circuit	Dimensions(mm)	
	DIM.A	DIM.B
2X2	5.00	2.50
2X3	7.50	5.00
2X4	10.00	7.50
2X5	12.50	10.00
2X6	15.00	12.50

ITEM	COMPONENT	Q'TY	MATERIAL	FINISH
C				
B	CONTACT	4~12PCS	PhosphorBronze	Sn-plated
A	HOUSING	1 PCS	PA46	UL 94V-0, COLOR:BEIGE

LEDscconn			TITLE: - 2.5mmPITCH 180°WAFER DIP TYPE	
X.±0.5	X.±5'	USE: CUSTOMER	PART NO.:	
.X±0.3	.X±2'		APPD:	
.XX±0.25	.XX±1'	CHKD:	DWG NO.:	
--	--	DR:	SCALE 1 : 1	SHEET 1 / 1